

Inverter Driven Heat Pump

42,000 BTU Circular Flow Cassette

Job Name _____
 Location _____
 Engineer _____
 Submitted To _____
 Submitted By _____
 Reference _____

Date _____
 Approval _____
 Construction _____
 Unit No _____
 Drawing No _____

PRODUCT FEATURES

- 360° Circular flow distributes air more evenly around the room
- Adjustable louver swing
- Adjustable airflow
- Optional human sensor detects room occupancy for energy savings
- 7mm High density heat exchanger
- Seamless airflow louver
- Grille avile in White (UTG-GCGF) or Black (UTG-LCGVCB), sold separately



MODEL NUMBERS			
Indoor Unit	AUU42RGLX		
Outdoor Unit	AOU42RGLX		
System	42RGLXC		
EFFICIENCIES			
SEER	18.5		
SEER 2	19		
EER	11.3		
EER 2	11.3		
HSPF	9.7		
HSPF 2	9.8		
COP	kw/kw	3.68	
COP	Btu/hW	12.6	
COP2	kw/kw	3.68	
COP2	Btu/hW	12.6	
OUTDOOR TEMPERATURE OPERATION RANGE			
Cooling	*F(*C)		-5 to 115 (-21 to 46)
Heating			-5 to 75 (-21 to 24)
CAPACITIES			
Cooling	Rated	Btu/h	42000
	Min.-Max.		17,100-45,000
Heating	Rated		47000
	Min.-Max.		18,000-51,000
LINESET REQUIREMENTS			
Connection Method			Flare
Liquid	in (mm)	Ø3/8 (9.52)	
Gas		Ø5/8 (15.88)	
Pre-charge length	ft (m)	98 (30)	
Minimum Length		16 (5)	
Max. length		246 (75)	
Max. height difference		98 (30)	
INDOOR DIMENSIONS & WEIGHT			
Net (H x W x D)	in (mm)	11-5/16 x 33-1/16 x 33-1/16 (288 x 840 x 840)	
Gross (H x W x D)		13-3/8 x 37-13/16 x 37-3/8 (340 x 960 x 950)	
Net Weight	lb (kg)	64 (29)	
Gross Weight		73 (33)	
OUTDOOR DIMENSIONS & WEIGHT			
Net (H x W x D)	in (mm)	50-13/16 x 35-7/16 x 13 (1,290 x 900 x 330)	
Gross (H x W x D)		57-1/2 x 41-5/16 x 17-1/2 (1,460 x 1,050 x 445)	
Net Weight	lb (kg)	209 (95)	
Gross Weight		231 (105)	

Warranty Information



7 Year Compressor, 5 Year Parts out-of-the-box Warranty

10 Year Compressor, 10 Year Parts Warranty when registered within 60 days of installation in a residence

12 Year Compressor, 12 Year Parts Warranty when registered within 60 days of installation in a residence, and installed by a Fujitsu Elite contractor

ACCESSORIES

UTY-RNRUZ*	Wired Remote Controller
UTY-RSRY	Simple Remote Controller
UTY-RHRY	Simple Remote Controller
UTY-LBTUC	IR Receiver Kit with Wireless Remote Controller
UTG-GCGF	Cassette Grille
UTG-LCGVCB	Cassette Grille
UTY-SHZXC	Human Sensor Kit
UTY-XWZXZG	External Connect Kit
UTR-YDZK	Air Outlet Shutter Plate
UTG-AKXA-W	Wide Panel
UTG-BKXA-W	Panel Spacer
UTZ-VXRRA	Fresh Air Intake Kit
UTZ-KXRA	Insulation for High Humidity
UTY-XCSX	External Input and Output PCB
UTY-TFSXZ2	WLAN Adapter
UTY-VMSX	Modbus Converter
UTY-TTRXZ1	Thermostat Converter
UTY-VTGX	Network Converter

Due to continuous product improvements, specifications are subject to change without notice. Please log in to the Fujitsu Portal for the most up-to-date documentation <https://connect.fujitsugeneral.com>

Effective Date: 12/16/2022

Inverter Driven Heat Pump

42,000 BTU Circular Flow Cassette

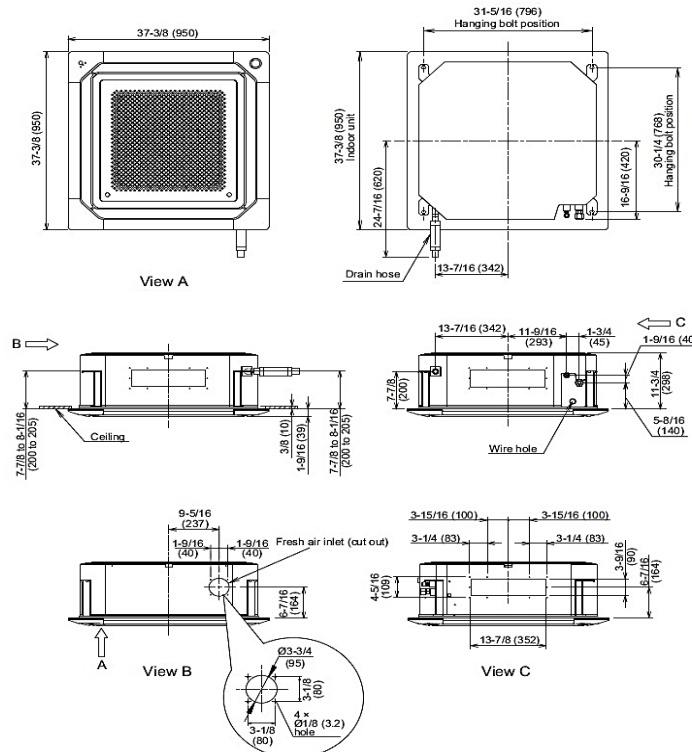
FAN DATA				
Indoor Unit Airflow rate	Cooling	HIGH	CFM (m ³ /h)	1,177 (2,000)
		MED		971 (1,650)
		LOW		859 (1,460)
		QUIET		765 (1,300)
	Heating	HIGH		1,177 (2,000)
		MED		971 (1,650)
		LOW		859 (1,460)
		QUIET		765 (1,300)
Outdoor Unit Airflow rate	Cooling			3,973 (6,750)
	Heating			3,649 (6,200)
SOUND PRESSURE				
Indoor Unit	Cooling	HIGH	dB (A)	46
		MED		42
		LOW		39
		QUIET		35
	Heating	HIGH		46
		MED		42
		LOW		39
		QUIET		35
Outdoor Unit	Cooling			55
	Heating			57
REFRIGERANT				
Type				R410A
Charge	lb oz			7 lb 10 oz
	g			3450
Oil Type				POE (VG74)

ELECTRICAL SPECIFICATIONS					
Voltage/Frequency/Phase		208/230 V~ 60 Hz			
Available Voltage Range		187–253 V			
Current	Cooling	Rated	A	16.7	
	Heating	Rated		16.8	
Maximum Operating Current		Cooling		19.7	
		Heating		19.7	
Starting current		16.8			
MCA		25.2			
Maximum Circuit Breaker		30			
Input Power	Cooling	Rated		kW	3.72
		Min.–Max.	0.63–4.35		
	Heating	Rated	3.74		
Min.–Max.		0.55–4.39			
Power Factor	Cooling	%			
	Heating	97			
OTHER					
Moisture Removal		pints/h (L/h)	9.3 (4.4)		
Energy Star		No			
Drain hose	Material		PVC		
	Tip diameter	in (mm)	Ø1/2 (Ø13.0) (I.D.), Ø5/8 to Ø11/16 (Ø16.0 to Ø16.7) (O.D.)		
Operation Range	Cooling	°F (°C)	64 to 90 (18 to 32)		
		%RH	80 or less		
	Heating	°F (°C)	60 to 86 (16 to 30)		

DIMENSIONS:

Indoor Unit

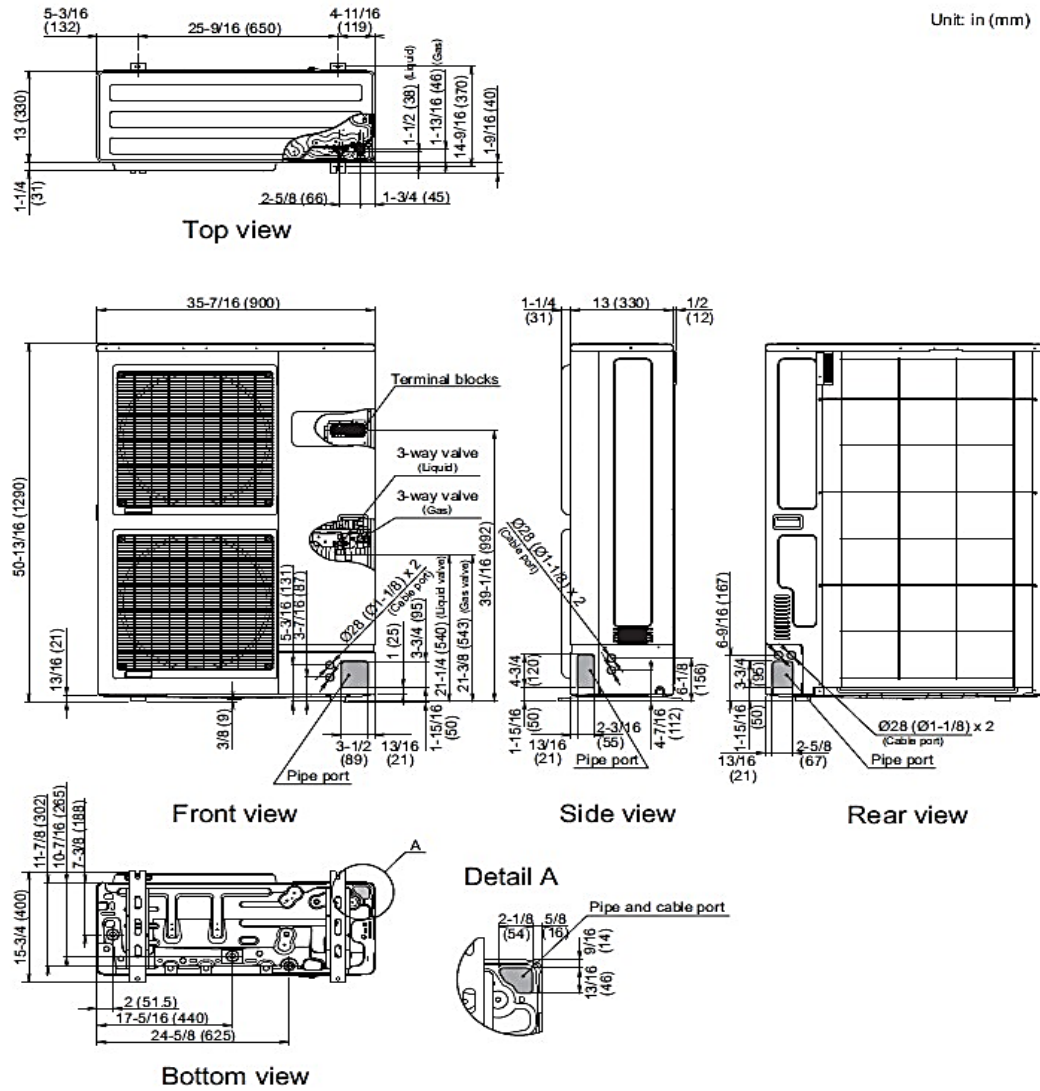
Units: In. (mm)



DIMENSIONS

Units: In. (mm)

Outdoor Unit



The Fujitsu logo is a worldwide trademark of Fujitsu General Limited. The Airstage logo and name is a worldwide trademark of Fujitsu General Limited and is a registered trademark in Japan, the USA and other countries or areas. Copyright 2022 Fujitsu General America, Inc. Fujitsu's products are subject to continuous improvements. Fujitsu reserves the right to modify product design, specifications and information in this brochure without notice and without incurring any obligations.

Note: Specifications are based on the following conditions:
 Cooling: Indoor temperature of 80°F (26.7°C) DB/67°F (19.4°C) WB, and outdoor temperature of 95°F (35°C) DB/75°F (23.9°C) WB. Heating: Indoor temperature of 70°F (21.1°C) DB/60°F (15.6°C) WB, and outdoor temperature of 47°F (8.3°C) DB/43°F (6.1°C) WB. Pipe length: 25ft. (7.5m), Height difference: 0ft. (0m) (Outdoor unit – indoor unit).