

Inverter Driven Heat Pump

9,000 BTU Single Zone Wall Mounted System

Job Name _____
 Location _____
 Engineer _____
 Submitted To _____
 Submitted By _____
 Reference _____

Date _____
 Approval _____
 Construction _____
 Unit No _____
 Drawing No _____

PRODUCT FEATURES

- Auto Changeover
- Weekly & 24 hr. Timer
- Auto Louver
- Minimum Heat Mode
- Auto Restart
- Economy Mode
- Energy Saving Program (ESP)
- Wireless Remote control
- Outdoor Unit Low Noise Schedule



MODEL NUMBERS

| | |
|--------------|-------------|
| Indoor Unit | ASUH09LPAS |
| Outdoor Unit | AOUH09LPAS1 |
| System | 09LPAS1 |

EFFICIENCIES

| | | |
|------|--------|-------|
| SEER | 20 | |
| EER | 12.5 | |
| HSPF | 11 | |
| COP | kW/kW | 3.96 |
| | BTU/hW | 13.50 |

OUTDOOR TEMPERATURE OPERATION RANGE

| | | |
|---------|--------|-----------------------|
| Cooling | °F(°C) | 14 to 115 (-10 to 46) |
| Heating | | 5 to 75 (-15 to 24) |

CAPACITIES

| | | | |
|---------|-----------|--------|----------------|
| Cooling | Rated | BTU/hW | 9,000 |
| | Min.-Max. | | 3,300 - 10,800 |
| Heating | Rated | | 10,000 |
| | Min.-Max. | | 2,600 - 12,500 |

LINESET REQUIREMENTS

| | | |
|-------------------|---------|----------------|
| Connection Method | Flare | |
| Liquid | in (mm) | Ø 1/4 (Ø 6.35) |
| Gas | | Ø 3/8 (Ø 9.52) |
| Pre-Charge Length | ft (m) | 49 (15) |
| Minimum Length | | 16 (5) |
| Maximum Length | | 66 (20) |
| Max. Height Diff. | | 49 (15) |

INDOOR DIMENSIONS & WEIGHT

| | | |
|-------------------|---------|---------------------------|
| Net (H x W x D) | in | 10-5/8 x 32-13/16 x 8-3/4 |
| | mm | 270 x 834 x 222 |
| Gross (H x W x D) | in | 10-7/8 x 36 x 13-1/16 |
| | mm | 277 x 914 x 332 |
| Net Weight | lb (kg) | 21 (9.5) |
| Gross Weight | | 26 (12.0) |

OUTDOOR DIMENSIONS & WEIGHT

| | | |
|-------------------|---------|----------------------------|
| Net (H x W x D) | in | 21-5/16 x 26-1/8 x 11-7/16 |
| | mm | 541 x 663 x 290 |
| Gross (H x W x D) | in | 23-11/16 x 31-5/8 x 14-3/4 |
| | mm | 602 x 804 x 375 |
| Net Weight | lb (kg) | 51 (23) |
| Gross Weight | | 57 (26) |



Indoor Unit ETL#: 91987
 Outdoor Unit ETL#: 91987

Effective Date: 7/28/2021

Warranty Information



7 Year Compressor, 5 Year Parts out-of-the-box Warranty



10 Year Compressor, 10 Year Parts Warranty when registered within 60 days of installation in a residence



12 Year Compressor, 12 Year Parts Warranty when registered within 60 days of installation in a residence, and installed by a Fujitsu Elite contractor

ACCESSORIES

| | |
|--------------|---------------------------------------|
| UTY-RNRUZ5 | Wired Remote Controller (Touch Panel) |
| UTY-RSRY | Simple Remote Control |
| UTY-RHRY | Simple Remote Control (Hospitality) |
| UTY-XWZXZ5 | Dry Contact Wire Kit |
| UTY-TTRXZ1 | 24V Thermostat Interface |
| UTY-TWRXZ2 | Communication Kit |
| UTY-TFSXF1 | WIFI Module |
| FJ-AC-BAC-1L | BACnet Gateway |



This system combination is Energy Star qualified



+App available in Apple® App Store and Google® Play Store.

Due to continuous product improvements, specifications are subject to change without notice. Please log in to the Fujitsu Portal for the most up-to-date documentation <https://portal.fujitsugeneral.com>

Inverter Driven Heat Pump

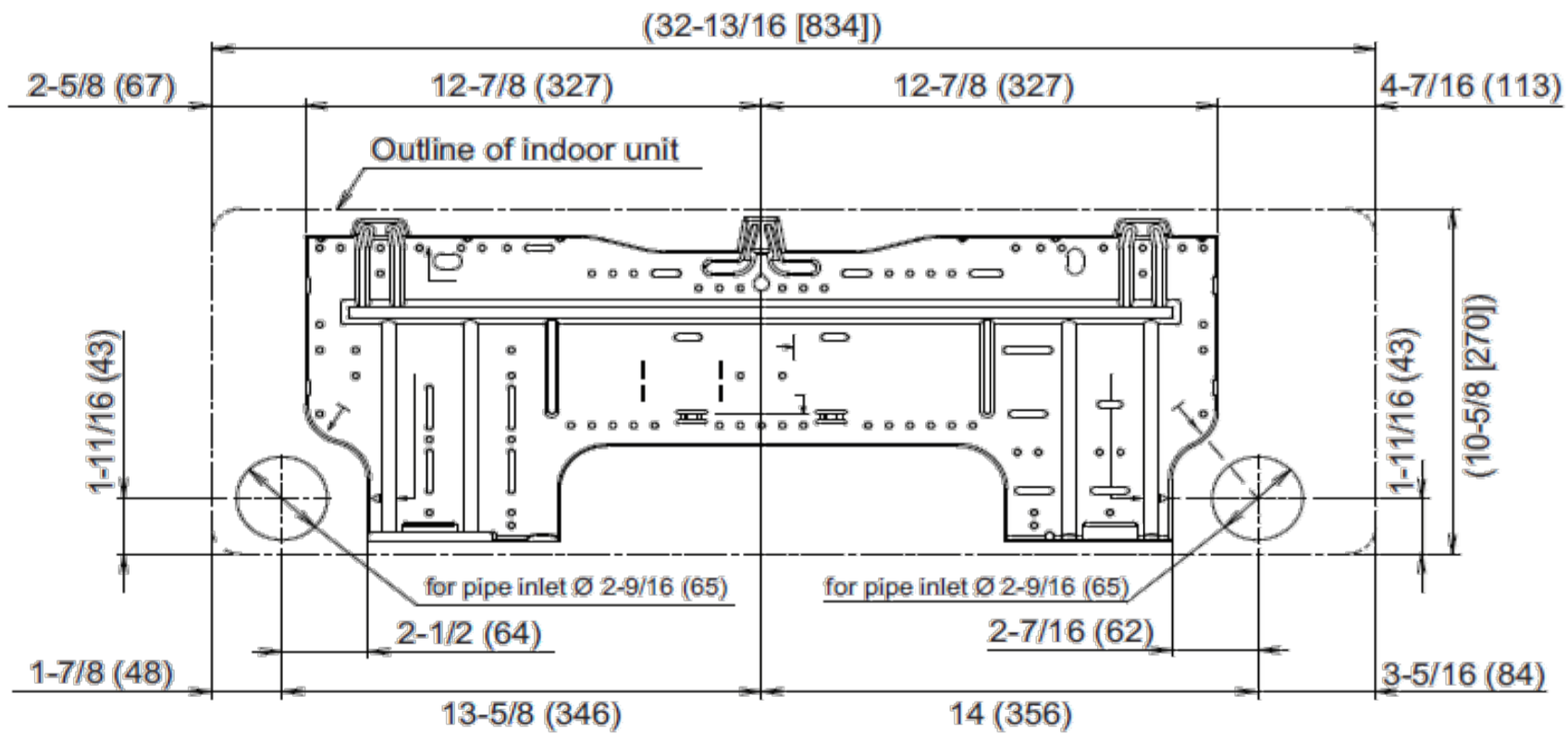
9,000 BTU Single Zone Wall Mounted System

| FAN DATA | | | | |
|---------------------------|---------|--------|-------------|-----------|
| Indoor Unit Airflow Rate | Cooling | High | CFM (m3/h) | 412 (700) |
| | | Medium | | 330 (560) |
| | | Low | | 253 (430) |
| | | Quiet | | 159 (270) |
| | Heating | High | | 441 (750) |
| | | Medium | | 359 (610) |
| | | Low | | 277 (470) |
| | | Quiet | | 194 (330) |
| Outdoor Unit Airflow Rate | Cooling | | 959 (1,630) | |
| | Heating | | 959 (1,630) | |
| SOUND PRESSURE | | | | |
| Indoor Unit | Cooling | High | dB (A) | 40 |
| | | Medium | | 34 |
| | | Low | | 29 |
| | | Quiet | | 19 |
| | Heating | High | | 42 |
| | | Medium | | 36 |
| | | Low | | 31 |
| | | Quiet | | 21 |
| Outdoor Unit | Cooling | | 47 | |
| | Heating | | 48 | |
| REFRIGERANT | | | | |
| Type | | | | R410A |
| Charge | lb oz | | | 1 lb 9 oz |
| | kg | | | 700 |
| Oil Type | | | | VG74 |

| ELECTRICAL SPECIFICATIONS | | | | |
|---------------------------|-----------|---|-----------------------|------------|
| Voltage/Frequency/Phase | | | 208/230 V / 1Ø / 60Hz | |
| Voltage Range | | | 187-253V~60HZ | |
| Current | Cooling | Rated | A | 3.5 |
| | Heating | Rated | | 3.7 |
| Maximum Operating Current | | Cooling | | 6.4 |
| | | Heating | | 7.9 |
| Starting Current | | | 3.7 | |
| MCA | | | 9.7 | |
| Maximum Circuit Breaker | | | 15 | |
| Input Power | Cooling | Rated | kW | 0.72 |
| | | Min.-Max. | | 0.14 -1.18 |
| Heating | Rated | 0.74 | | |
| | Min.-Max. | 0.13-1.23 | | |
| Power Factor | Cooling | | % | 89.4 |
| | Heating | | | 86.9 |
| OTHER | | | | |
| Moisture Removal | | pints/h (L/h) | 2.7 (1.3) | |
| Energy Star | | | Yes | |
| Drain hose | | Material | PP+HDPE | |
| Size | in (mm) | Ø17/32 (Ø 13.8) (I.D.), Ø19/32 to 21/32 (Ø 15.0 to 16.8) (O.D.) | | |
| | | | | |
| Operation Range | Cooling | °F (°C) | 64 to 90 (18 to 32) | |
| | | %RH | 80 or less | |
| | Heating | °F (°C) | 60 to 86 (16 to 30) | |

Wall Bracket Data:

Units: In. (mm)



The Fujitsu logo is a worldwide trademark of Fujitsu General Limited. The Halcyon logo and name is a worldwide trademark of Fujitsu General Limited and is a registered trademark in Japan, the USA and other countries or areas. Copyright 2018 Fujitsu General America, Inc. Fujitsu's products are subject to continuous improvements. Fujitsu reserves the right to modify product design, specifications and information in this brochure without notice and without incurring any obligations.

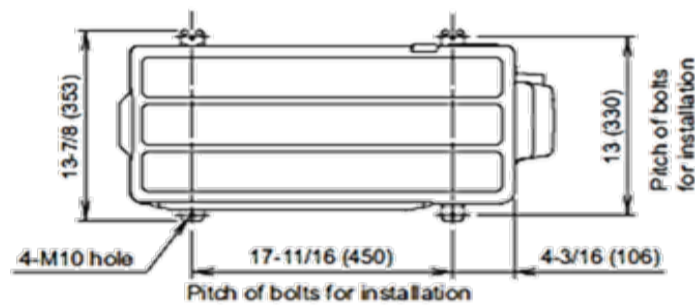
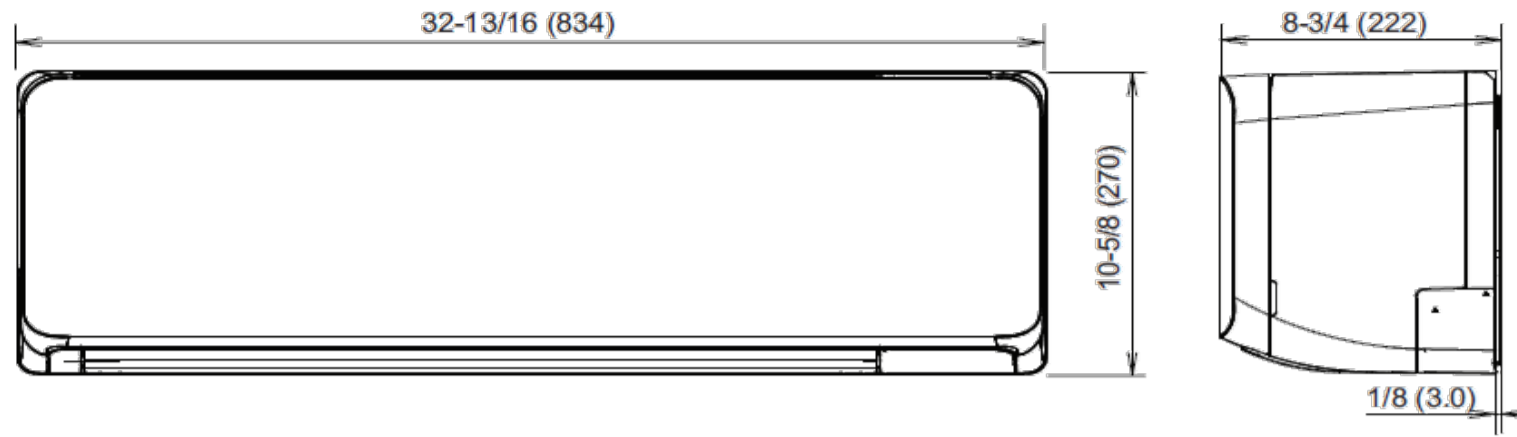
Note: Specifications are based on the following conditions:
 Cooling: Indoor temperature of 80°F (26.7°C) DB/67°F (19.4°C) WB, and outdoor temperature of 95°F (35°C) DB/75°F (23.9°C) WB. Heating: Indoor temperature of 70°F (21.1°C) DB/60°F (15.6°C) WB, and outdoor temperature of 47°F (8.3°C) DB/43°F (6.1°C) WB. Pipe length: 25ft. (7.5m), Height difference: 0ft. (0m) (Outdoor unit - indoor unit).

Inverter Driven Heat Pump

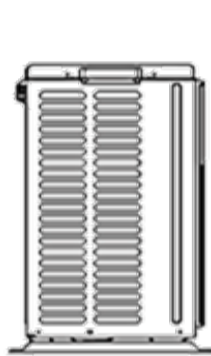
9,000 BTU Single Zone Wall Mounted System

DIMENSIONS

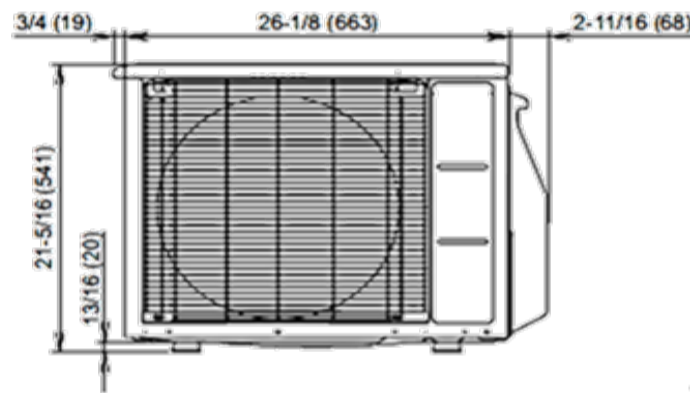
Units: In. (mm)



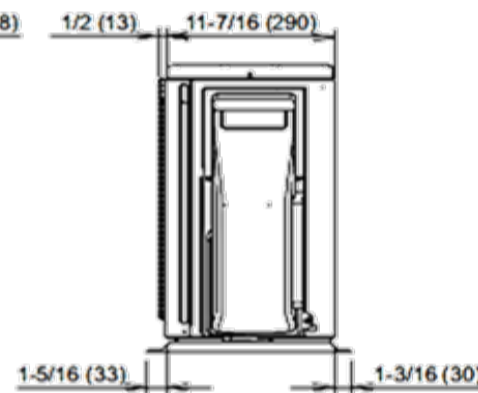
Top view



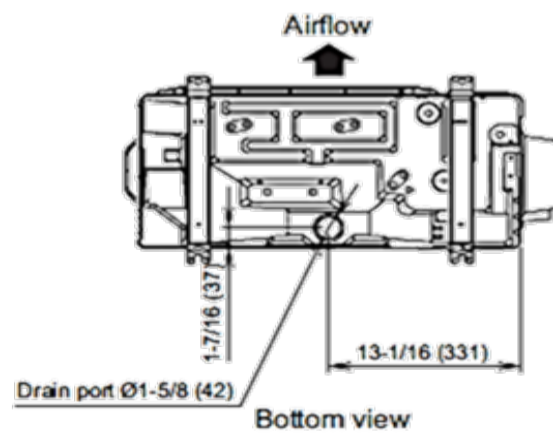
Side view



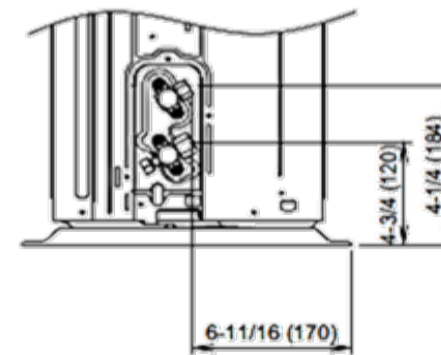
Front view



Side view



Bottom view



Side view (Valve part)

The Fujitsu logo is a worldwide trademark of Fujitsu General Limited. The Halcyon logo and name is a worldwide trademark of Fujitsu General Limited and is a registered trademark in Japan, the USA and other countries or areas. Copyright 2018 Fujitsu General America, Inc. Fujitsu's products are subject to continuous improvements. Fujitsu reserves the right to modify product design, specifications and information in this brochure without notice and without incurring any obligations.

Note: Specifications are based on the following conditions:
 Cooling: Indoor temperature of 80°F (26.7°C) DB/67°F (19.4°C) WB, and outdoor temperature of 95°F (35°C) DB/75°F (23.9°C) WB. Heating: Indoor temperature of 70°F (21.1°C) DB/60°F (15.6°C) WB, and outdoor temperature of 47°F (8.3°C) DB/43°F (6.1°C) WB. Pipe length: 25ft. (7.5m), Height difference: 0ft. (0m) (Outdoor unit - indoor unit).