

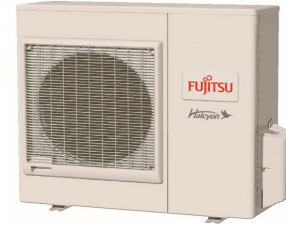
Inverter Driven Heat Pump **24,000 BTU Multi Position AHU**

Job Name _____
 Location _____
 Engineer _____
 Submitted To _____
 Submitted By _____
 Reference _____

Date _____
 Approval _____
 Construction _____
 Unit No _____
 Drawing No _____

PRODUCT FEATURES

- Up to 1.0" WC
- 2-Wire Wired Remote Controls
- All Aluminum Coil
- Heating operation rated down to -5°F outdoor temperature.
- Long Lineset Lengths (up to 164')
- Integral Electric Heat Kit (Optional)



MODEL NUMBERS

Indoor Unit	AMUG24LMAS
Outdoor Unit	AOU24RGLX
System	24RGLXM

EFFICIENCIES

SEER	19.0	
EER	12.0	
HSPF	10.7	
COP	kW/kW	3.20
	Btu/hW	10.9

OUTDOOR TEMPERATURE OPERATION RANGE

Cooling	°F (°C)	-5 - 115 (-20 - 46)
Heating		-5 - 75 (-20 - 24)

CAPACITIES

	Rated	Min.—Max.	BTU/hW	24,000
				Cooling
Heating	Rated	27,000		
	Min.—Max.	5,400 - 32,400		

LINESET REQUIREMENTS

Connection Method	Flare	
Liquid	in (mm)	3/8
Gas		5/8
Pre-Charge Length	ft (m)	66 (20)
Minimum Length		16 (5)
Maximum Length		164 (50)
Max. Height Diff.		98 (30)

INDOOR DIMENSIONS & WEIGHT

Net (H x W x D)	in	42 8/16 x 21 x 21 11/16
	mm	1080 x 533 x 551
Gross (H x W x D)	in	42 12/16 x 24 x 25 5/16
	mm	1086 x 610 x 643
Net Weight	lb (kg)	104 (47)
Gross Weight		116 (52.5)

OUTDOOR DIMENSIONS & WEIGHT

Net (H x W x D)	in	32 11/16 x 35 7/16 x 13
	mm	830 x 900 x 330
Gross (H x W x D)	in	39 3/8 x 41 5/16 x 17 1/2
	mm	1000 x 1050 x 445
Net Weight	lb (kg)	134 (61)
Gross Weight		152 (69)

Warranty Information



7 Year Compressor, 5 Year Parts out-of-the-box Warranty



10 Year Compressor, 10 Year Parts Warranty when registered within 60 days of installation in a residence



12 Year Compressor, 12 Year Parts Warranty when registered within 60 days of installation in a residence, and installed by a Fujitsu Elite contractor

ACCESSORIES

UTY-RNRUZ4	Wired Remote Control
UTY-RSRY	Simple Remote Control
UTY-LBTUM	IR receiver kit with wireless remote controller
UTY-TTRX	Third Party Thermostat Adapter
UTY-TFSXZ2	WiFi Module
UTY-XCSX	External Input and Output PCB
UTY-XSZX	Remote Sensor

Due to continuous product improvements, specifications are subject to change without notice. Please log in to the Fujitsu Portal for the most up-to-date documentation <https://portal.fujitsugeneral.com>

Inverter Driven Heat Pump **24,000 BTU Multi Position AHU**

FAN DATA			
Indoor Unit Airflow Rate	Cooling	High	800
		Medium	670
		Low	590
		Quiet	310
	Heating	High	800
		Medium	670
		Low	590
		Quiet	310
Outdoor Unit Airflow Rate	Cooling	2,119 (3,600)	
	Heating	2,119 (3,600)	
SOUND PRESSURE			
Indoor Unit	Cooling	High	40
		Medium	34
		Low	32
		Quiet	26
	Heating	High	37
		Medium	33
		Low	31
		Quiet	25
Outdoor Unit	Cooling	53	
	Heating	55	
REFRIGERANT			
Type			410A
Charge	lb oz		4lb 10oz
	g		2,100
Oil Type			POE (RB68)

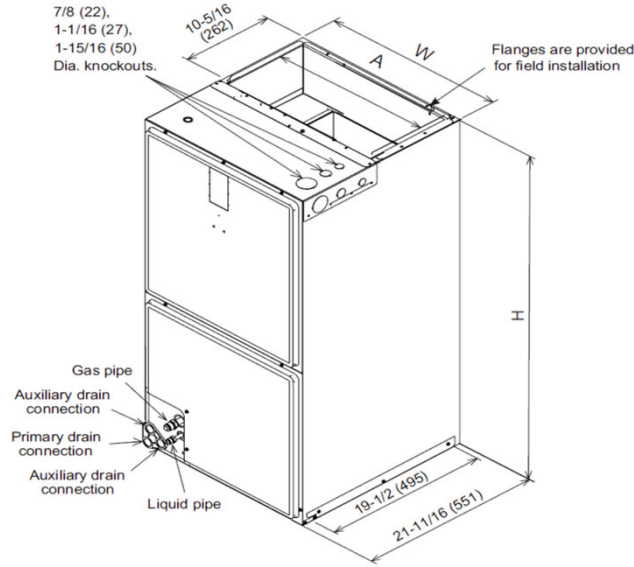
ELECTRICAL SPECIFICATIONS				
Voltage/Frequency/Phase		208-230V/60Hz/1		
Voltage Range		187—253 V		
Current	Cooling	Rated	A	8.8
	Heating	Rated		10.9
Maximum Operating Current		Cooling		15.6
		Heating		16.1
Starting Current		9.6		
MCA		20.8		
Maximum Circuit Breaker		30		
Input Power	Cooling	Rated	kW	2
		Min.—Max.		0.55 - 2.22
Heating	Rated	2.48		
	Min.—Max.	0.55 - 3.47		
Power Factor	Cooling	%	98.8	
	Heating		98.9	
OTHER				
Moisture Removal		pints/h (L/h)	4.6 (2.2)	
Energy Star		No		
Drain hose	Material	PVC		
	Size	in (mm)	Ø 3/4 (19) [O.D.]	
Operation Range	Cooling	°F (°C)	64 to 90 (18 to 32)	
		%RH	80 or less	
Heating		°F (°C)	60 to 86 (16 to 30)	
	Static Pressure Range	in. WG	0-1.0	
		Pa	20-250	

The Fujitsu logo is a worldwide trademark of Fujitsu General Limited. The Halcyon logo and name is a worldwide trademark of Fujitsu General Limited and is a registered trademark in Japan, the USA and other countries or areas. Copyright 2020 Fujitsu General America, Inc. Fujitsu's products are subject to continuous improvements. Fujitsu reserves the right to modify product design, specifications and information in this brochure without notice and without incurring any obligations.

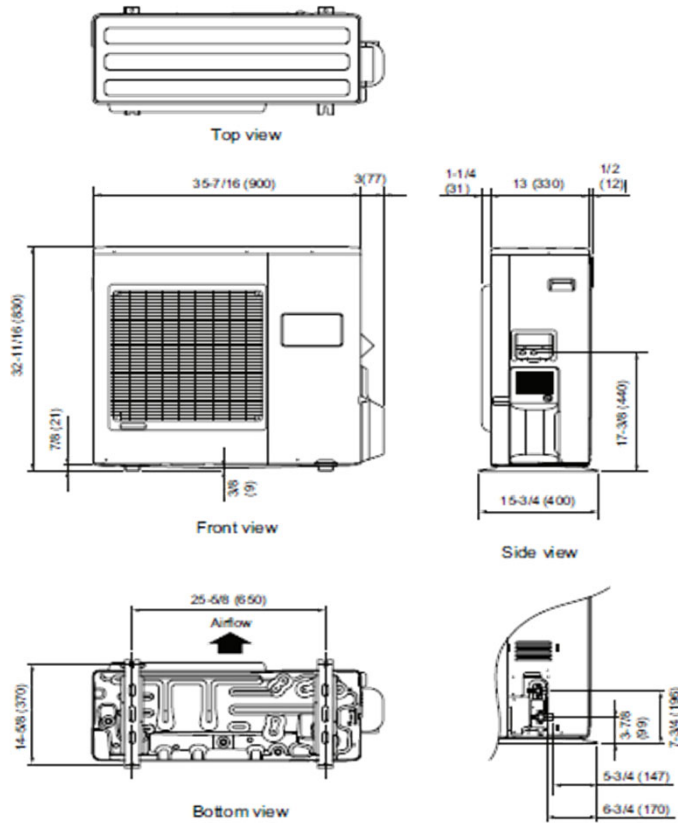
Note: Specifications are based on the following conditions:
 Cooling: Indoor temperature of 80°F (26.7°C) DB/67°F (19.4°C) WB, and outdoor temperature of 95°F (35°C) DB/75°F (23.9°C) WB. Heating: Indoor temperature of 70°F (21.1°C) DB/60°F (15.6°C) WB, and outdoor temperature of 47°F (8.3°C) DB/43°F (6.1°C) WB. Pipe length: 25ft. (7.5m), Height difference: 0ft. (0m) (Outdoor unit – indoor unit).

DIMENSIONS

Unit: in (mm)



Model	A (Supply duct)	W (Unit width)	H (Unit height)
AMUG24LMAS	19-1/2 (495)	21 (533)	42-1/2 (1,080)



The Fujitsu logo is a worldwide trademark of Fujitsu General Limited. The Halcyon logo and name is a worldwide trademark of Fujitsu General Limited and is a registered trademark in Japan, the USA and other countries or areas. Copyright 2020 Fujitsu General America, Inc. Fujitsu's products are subject to continuous improvements. Fujitsu reserves the right to modify product design, specifications and information in this brochure without notice and without incurring any obligations.

Note: Specifications are based on the following conditions:
 Cooling: Indoor temperature of 80°F (26.7°C) DB/67°F (19.4°C) WB, and outdoor temperature of 95°F (35°C) DB/75°F (23.9°C) WB. Heating: Indoor temperature of 70°F (21.1°C) DB/60°F (15.6°C) WB, and outdoor temperature of 47°F (8.3°C) DB/43°F (6.1°C) WB. Pipe length: 25ft. (7.5m), Height difference: 0ft. (0m) (Outdoor unit – indoor unit).