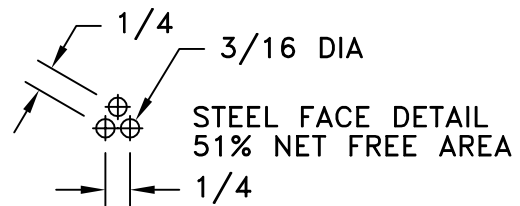
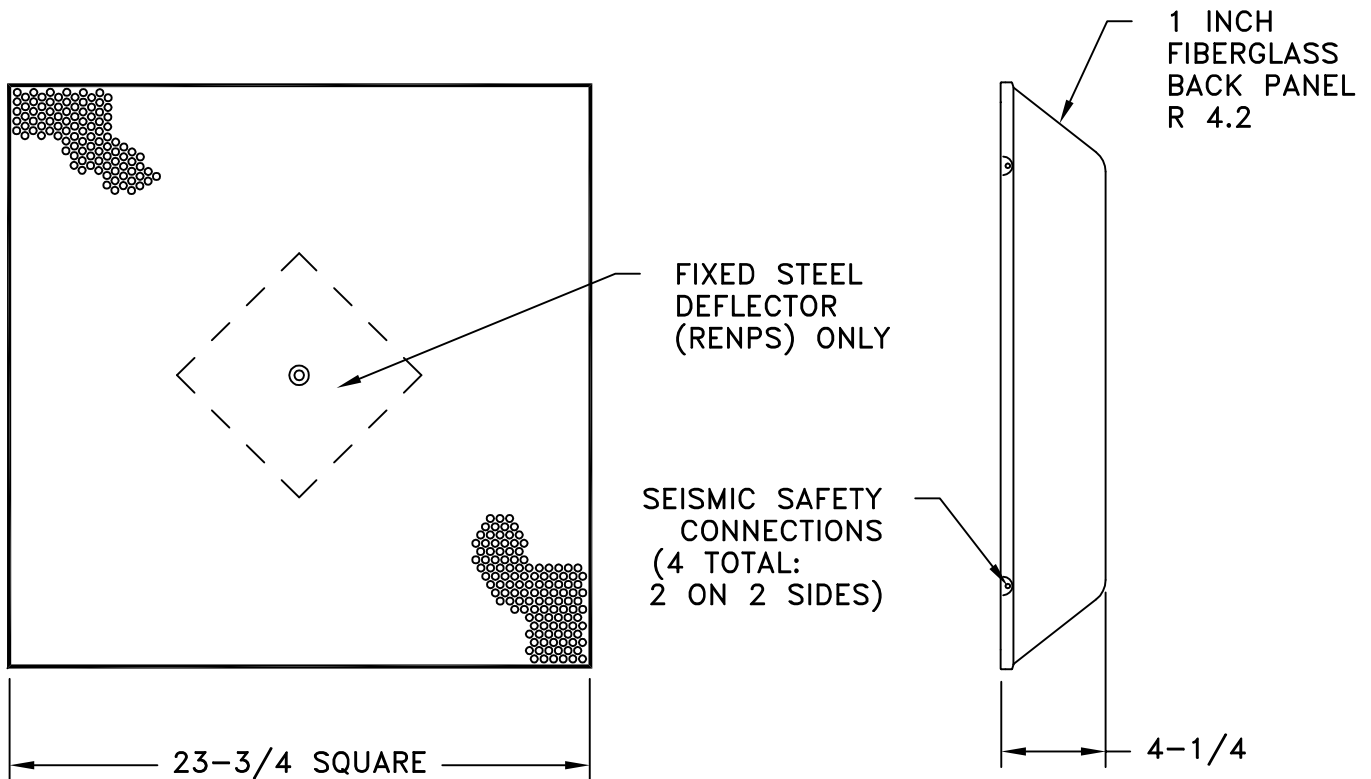


- FITS STANDARD 2' X 2' T-BAR CEILING SYSTEMS
- DIRECTIONAL DEFLECTOR INCLUDED ON MODEL RENPS
- BONDED FOIL VAPOR BARRIER HELPS MINIMIZE CONDENSATION PROBLEMS
- FIBERGLASS BACK R 4.2 ABSORBS SOUND
- PRESCORED BACK ACCEPTS 6 TO 14 INCH SPIN OR TAB COLLARS
- FINISH: WHITE (W)



JOB NAME: _____	SUBMITTED BY: _____	DATE: 07/26/2013	SD-9486
LOCATION: _____		<b>REN,RENPS- R4.2</b>	
ARCHITECT: _____		Perforated T-Bar Diffusers	
ENGINEER: _____		Fiberglass Back	
CONTRACTOR: _____			