



www.Source1Parts.com

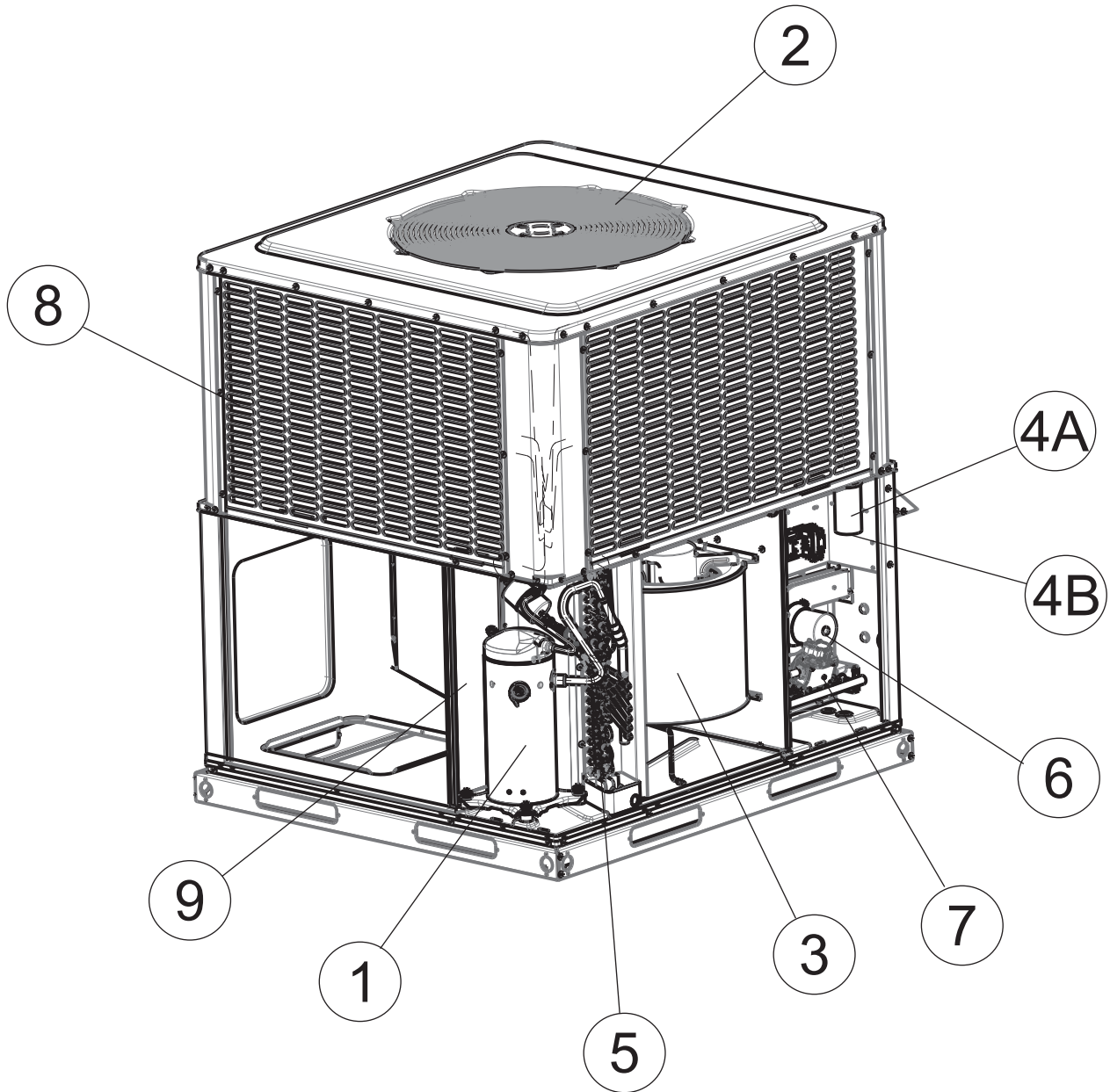
# PCG6 SERIES - 16 SEER SINGLE PACKAGED TWO STAGE GAS/ELECTRIC AIR CONDITIONER (R-410A, STYLE A)

HVAC SERVICE PARTS

Supersedes:035-24611-001 Rev. C (1116)

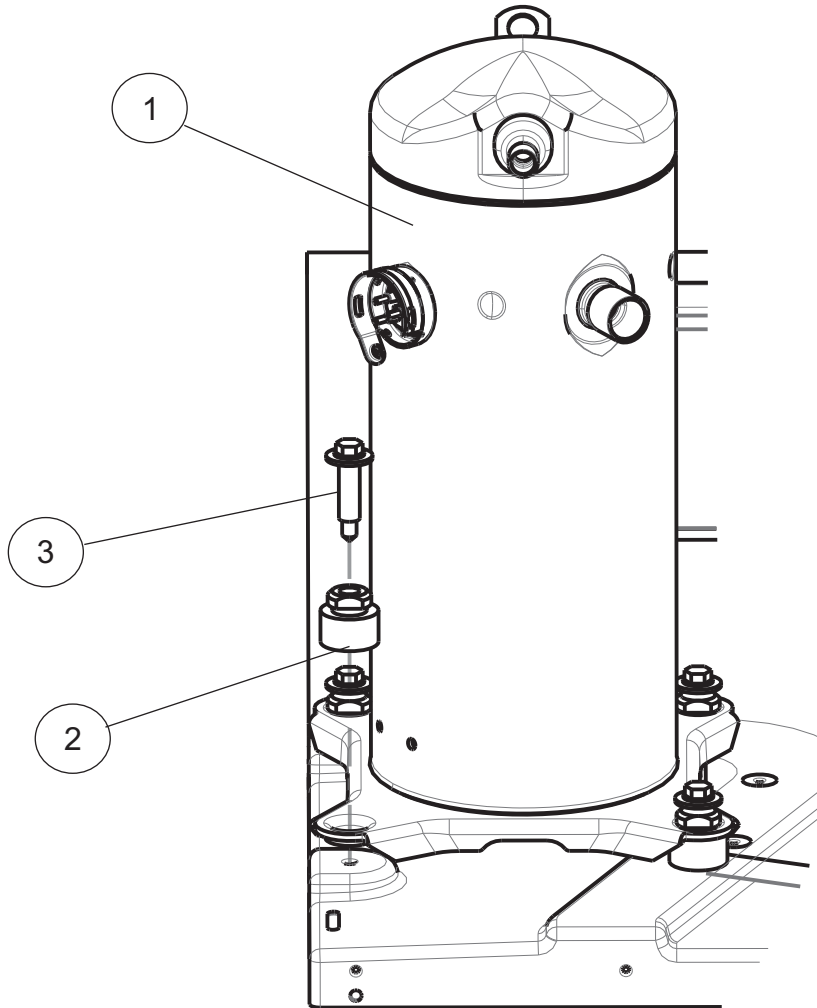
035-24611-001 Rev. D (0118)

1 of 22



### Gas/Electric Air Conditioner Residential Packaged \_Top Level

Section	Description	Pages
1	Compressor Assembly	2,3
2	Fan Assembly	3,4
3	Indoor Blower Assembly	5,6
4	Electric Box Assembly	7,8,9
5	Condenser, Evaporator Coil Assembly	9,10,11
6	Heat Section	11, 12,13
7	Burner Assembly	14,15
8	Outside Sheet Metal Parts	16,17,18,19
9	Inside Sheet Metal Parts	19, 20, 21
10	Misc.	22



Compressor Section \_ Figure 1

ITEM	FIG	DESCRIPTION	PCG6A240502X1A	PCG6A240752X1A	PCG6A300502X1A
<b>Compressors</b>					
1	1	Compressor	S1-01504437004	S1-01504437004	S1-01504454004
2	1	Cushion Mount	S1-02809519000	S1-02809519000	S1-02809519000
3	1	Bolt, Compressor	S1-02117116000	S1-02117116000	S1-02117116000
4	*	Harness, Compressor	S1-02547242000	S1-02547242000	S1-02547242000
5	*	Harness, Compressor Solenoid	S1-02538936000	S1-02538936000	S1-02538936000
5A	*	Heater, Crankcase	S1-02549142000	S1-02549142000	S1-02549142000

ITEM	FIG	DESCRIPTION	PCG6A300752X1A	PCG6B360652X1A	
<b>Compressors</b>					
1	1	Compressor	S1-01504454004	S1-01504438004	
2	1	Cushion Mount	S1-02809519000	S1-02809519000	
3	1	Bolt, Compressor	S1-02117116000	S1-02117116000	
4	*	Harness, Compressor	S1-02547242000	S1-02547242000	
5	*	Harness, Compressor Solenoid	S1-02538936000	S1-02538936000	
5A	*	Heater, Crankcase	S1-02549142000	S1-02549142000	

**NOTE:** \*Not Shown  
 New replacement parts shown in **bold** face type at the first printing of parts list dated 1/18.  
 Major components and suggested stocking items are shown with shaded item number.  
 “<” Across from row indicates a change in that row, changed part numbers in red.  
 --- Not applicable to specified model.

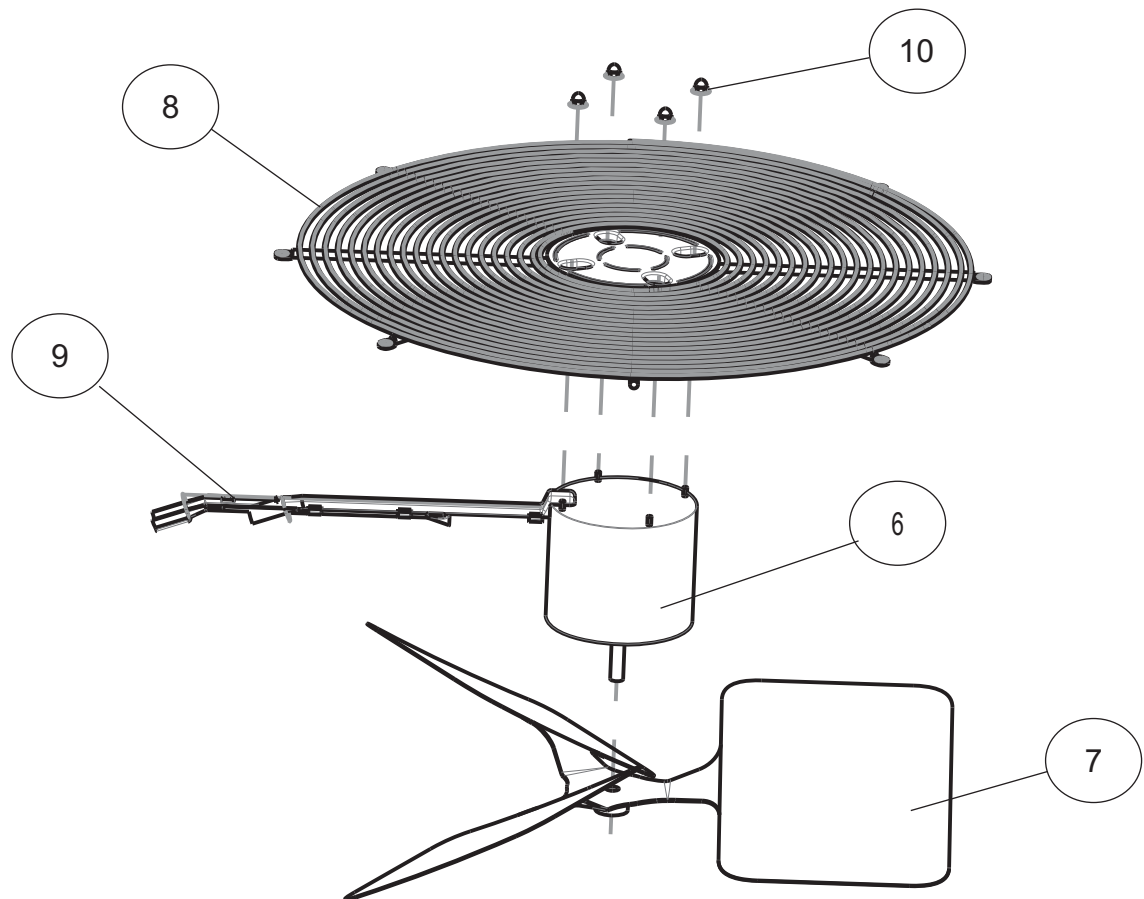


ITEM	FIG	DESCRIPTION	PCG6B361002X1A	PCG6B420652X1A	PCG6B421002X1A
<b>Compressors</b>					
1	1	Compressor	S1-01504438004	S1-01504453004	S1-01504453004
2	1	Cushion Mount	S1-02809519000	S1-02809519000	S1-02809519000
3	1	Bolt, Compressor	S1-02117116000	S1-02117116000	S1-02117116000
4	*	Harness, Compressor	S1-02547242000	S1-02547242000	S1-02547242000
5	*	Harness, Compressor Solenoid	S1-02538936000	S1-02538936000	S1-02538936000
5A	*	Heater, Crankcase	S1-02549142000	S1-02549142000	S1-02549142000

ITEM	FIG	DESCRIPTION	PCG6B480652X1A	PCG6B481002X1A	PCG6B481252X1A
<b>Compressors</b>					
1	1	Compressor	S1-01504439004	S1-01504439004	S1-01504439004
2	1	Cushion Mount	S1-02809519000	S1-02809519000	S1-02809519000
3	1	Bolt, Compressor	S1-02117116000	S1-02117116000	S1-02117116000
4	*	Harness, Compressor	S1-02547242000	S1-02547242000	S1-02547242000
5	*	Harness, Compressor Solenoid	S1-02538936000	S1-02538936000	S1-02538936000
5A	*	Heater, Crankcase	S1-02549142000	S1-02549142000	S1-02549142000

ITEM	FIG	DESCRIPTION	PCG6B600652X1A	PCG6B601002X1A	PCG6B601252X1A
<b>Compressors</b>					
1	1	Compressor	S1-01504440004	S1-01504440004	S1-01504440004
2	1	Cushion Mount	S1-02809519000	S1-02809519000	S1-02809519000
3	1	Bolt, Compressor	S1-02117116000	S1-02117116000	S1-02117116000
4	*	Harness, Compressor	S1-02547242000	S1-02547242000	S1-02547242000
5	*	Harness, Compressor Solenoid	S1-02538936000	S1-02538936000	S1-02538936000
5A	*	Heater, Crankcase	S1-02549142000	S1-02549142000	S1-02549142000

**NOTE:** \*Not Shown  
 New replacement parts shown in **bold** face type at the first printing of parts list dated 1/18.  
 Major components and suggested stocking items are shown with shaded item number.  
 "<" Across from row indicates a change in that row, changed part numbers in red.  
 --- Not applicable to specified model.



**Fan Assembly \_ Figure 2**


ITEM	FIG	DESCRIPTION	PCG6A240502X1A	PCG6A240752X1A	PCG6A300502X1A
<b>Condensator Fan Motor &amp; Air Moving Components</b>					
6	2	Motor, Fan	S1-02436231000	S1-02436231000	S1-02439545000
7	2	Blade, Fan	S1-02635436000	S1-02635436000	S1-02635436000
8	2	Guard, Fan	S1-02647770000	S1-02647770000	S1-02647770000
9	2	Wireway	S1-02816469000	S1-02816469000	S1-02816469000
10	2	Kit, Acorn Nut	S1-36390117700	S1-36390117700	S1-36390117700

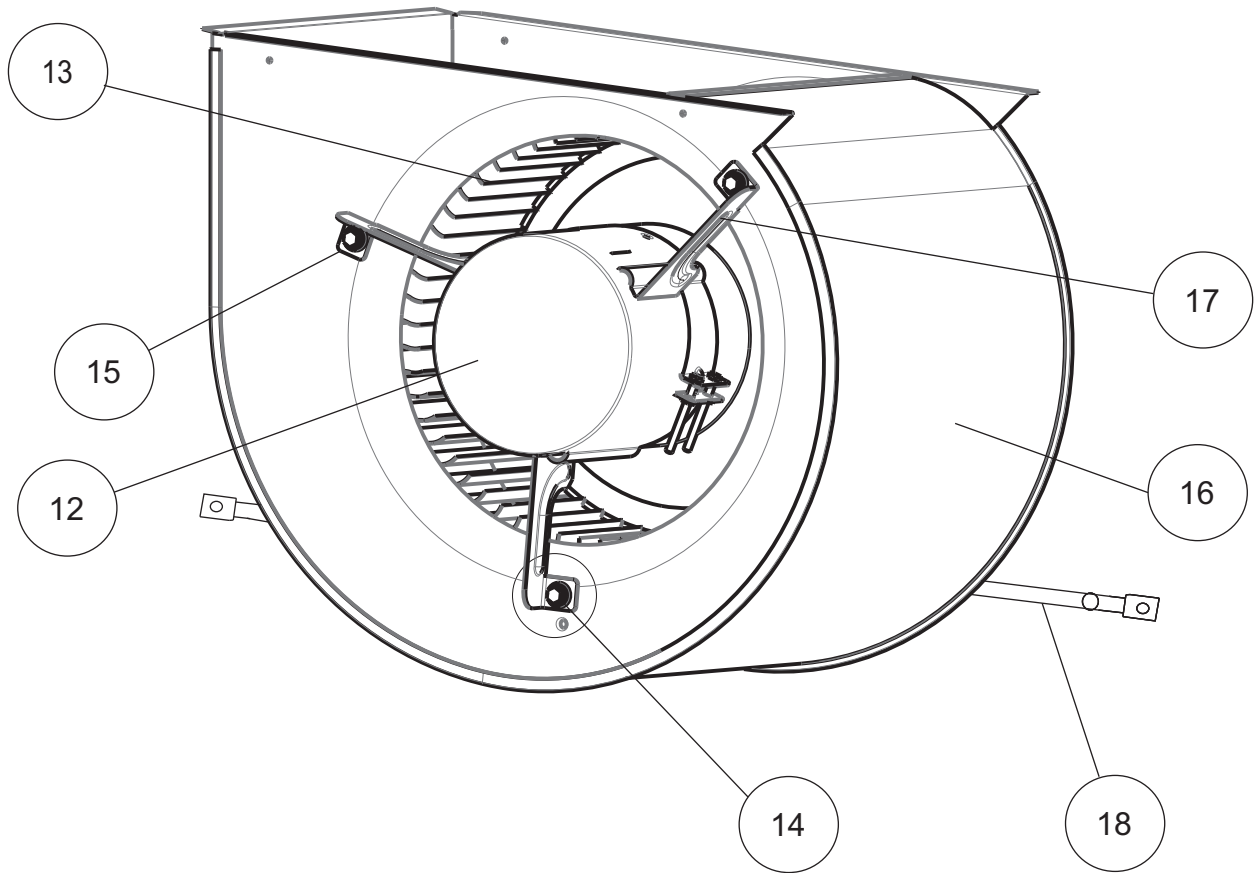
ITEM	FIG	DESCRIPTION	PCG6A300752X1A	PCG6B360652X1A	
<b>Condensator Fan Motor &amp; Air Moving Components</b>					
6	2	Motor, Fan	S1-02439545000	S1-02436216000	
7	2	Blade, Fan	S1-02635436000	S1-02649678000	
8	2	Guard, Fan	S1-02647770000	S1-02647771000	
9	2	Wireway	S1-02816469000	S1-02816470000	
10	2	Kit, Acorn Nut	S1-36390117700	S1-36390117700	

ITEM	FIG	DESCRIPTION	PCG6B361002X1A	PCG6B420652X1A	PCG6B421002X1A
<b>Condensator Fan Motor &amp; Air Moving Components</b>					
6	2	Motor, Fan	S1-02436216000	S1-02436216000	S1-02436216000
7	2	Blade, Fan	S1-02649678000	S1-02649678000	S1-02649678000
8	2	Guard, Fan	S1-02647771000	S1-02647771000	S1-02647771000
9	2	Wireway	S1-02816470000	S1-02816470000	S1-02816470000
10	2	Kit, Acorn Nut	S1-36390117700	S1-36390117700	S1-36390117700

ITEM	FIG	DESCRIPTION	PCG6B480652X1A	PCG6B481002X1A	PCG6B481252X1A
<b>Condensator Fan Motor &amp; Air Moving Components</b>					
6	2	Motor, Fan	S1-02436216000	S1-02436216000	S1-02436216000
7	2	Blade, Fan	S1-02649678000	S1-02649678000	S1-02649678000
8	2	Guard, Fan	S1-02647771000	S1-02647771000	S1-02647771000
9	2	Wireway	S1-02816470000	S1-02816470000	S1-02816470000
10	2	Kit, Acorn Nut	S1-36390117700	S1-36390117700	S1-36390117700

ITEM	FIG	DESCRIPTION	PCG6B600652X1A	PCG6B601002X1A	PCG6B601252X1A
<b>Condensator Fan Motor &amp; Air Moving Components</b>					
6	2	Motor, Fan	S1-02436216000	S1-02436216000	S1-02436216000
7	2	Blade, Fan	S1-02649678000	S1-02649678000	S1-02649678000
8	2	Guard, Fan	S1-02647771000	S1-02647771000	S1-02647771000
9	2	Wireway	S1-02816470000	S1-02816470000	S1-02816470000
10	2	Kit, Acorn Nut	S1-36390117700	S1-36390117700	S1-36390117700

**NOTE:** \*Not Shown  
 New replacement parts shown in **bold** face type at the first printing of parts list dated 1/18.  
 Major components and suggested stocking items are shown with shaded item number.   
 "<" Across from row indicates a change in that row, changed part numbers in red.  
 --- Not applicable to specified model.



Indoor Blower Section \_ Figure 3

ITEM	FIG	DESCRIPTION	PCG6A240502X1A	PCG6A240752X1A	PCG6A300502X1A
<b>Indoor Blower Motor &amp; Air Moving Components</b>					
12	3	Motor, Blower, PWM	S1-02436333000	S1-02436334000	S1-02436333000
13	3	Wheel, Blower	S1-02647766000	S1-02647766000	S1-02647766000
14	3	Grommet, Motor Mount (3 Req'd)	S1-02814740000	S1-02814740000	S1-02814740000
15	3	Ferrule, Motor Mount (3 Req'd)	S1-02320541000	S1-02320541000	S1-02320541000
16	3	Housing, Blower	S1-37327996001	S1-37327996001	S1-37327996001
17	3	Assembly, Motor Mount	S1-37319831002	S1-37319831002	S1-37319831002
18	3	Support, Blower	S1-02647773000	S1-02647773000	S1-02647773000

ITEM	FIG	DESCRIPTION	PCG6A300752X1A	PCG6B360652X1A	
<b>Indoor Blower Motor &amp; Air Moving Components</b>					
12	3	Motor, Blower, PWM	S1-02436334000	S1-02436334000	
13	3	Wheel, Blower	S1-02647766000	S1-02647767000	
14	3	Grommet, Motor Mount (3 Req'd)	S1-02814740000	S1-02814740000	
15	3	Ferrule, Motor Mount (3 Req'd)	S1-02320541000	S1-02320541000	
16	3	Housing, Blower	S1-37327996001	S1-37327996002	
17	3	Assembly, Motor Mount	S1-37319831002	S1-37319831002	
18	3	Support, Blower	S1-02647773000	S1-02647774000	

**NOTE:** \*Not Shown  
 New replacement parts shown in **bold** face type at the first printing of parts list dated 1/18.  
 Major components and suggested stocking items are shown with shaded item number.  
 "<" Across from row indicates a change in that row, changed part numbers in red.  
 --- Not applicable to specified model.



ITEM	FIG	DESCRIPTION	PCG6B361002X1A	PCG6B420652X1A	PCG6B421002X1A
<b>Indoor Blower Motor &amp; Air Moving Components</b>					
12	3	Motor, Blower, PWM	S1-02436335000	S1-02436335000	S1-02436335000
13	3	Wheel, Blower	S1-02647767000	S1-02647767000	S1-02647767000
14	3	Grommet, Motor Mount (3 Req'd)	S1-02814740000	S1-02814740000	S1-02814740000
15	3	Ferrule, Motor Mount (3 Req'd)	S1-02320541000	S1-02320541000	S1-02320541000
16	3	Housing, Blower	S1-37327996002	S1-37327996002	S1-37327996002
17	3	Assembly, Motor Mount	S1-37319831002	S1-37319831002	S1-37319831002
18	3	Support, Blower	S1-02647774000	S1-02647774000	S1-02647774000

ITEM	FIG	DESCRIPTION	PCG6B480652X1A	PCG6B481002X1A	PCG6B481252X1A
<b>Indoor Blower Motor &amp; Air Moving Components</b>					
12	3	Motor, Blower, PWM	S1-02436335000	S1-02436335000	S1-02436335000
13	3	Wheel, Blower	S1-02647767000	S1-02647767000	S1-02647767000
14	3	Grommet, Motor Mount (3 Req'd)	S1-02814740000	S1-02814740000	S1-02814740000
15	3	Ferrule, Motor Mount (3 Req'd)	S1-02320541000	S1-02320541000	S1-02320541000
16	3	Housing, Blower	S1-37327996002	S1-37327996002	S1-37327996002
17	3	Assembly, Motor Mount	S1-37319831002	S1-37319831002	S1-37319831002
18	3	Support, Blower	S1-02647774000	S1-02647774000	S1-02647774000

ITEM	FIG	DESCRIPTION	PCG6B600652X1A	PCG6B601002X1A	PCG6B601252X1A
<b>Indoor Blower Motor &amp; Air Moving Components</b>					
12	3	Motor, Blower, PWM	S1-02436336000	S1-02436336000	S1-02436336000
13	3	Wheel, Blower	S1-02647767000	S1-02647767000	S1-02647767000
14	3	Grommet, Motor Mount (3 Req'd)	S1-02814740000	S1-02814740000	S1-02814740000
15	3	Ferrule, Motor Mount (3 Req'd)	S1-02320541000	S1-02320541000	S1-02320541000
16	3	Housing, Blower	S1-37327996002	S1-37327996002	S1-37327996002
17	3	Assembly, Motor Mount	S1-37319831002	S1-37319831002	S1-37319831002
18	3	Support, Blower	S1-02647774000	S1-02647774000	S1-02647774000

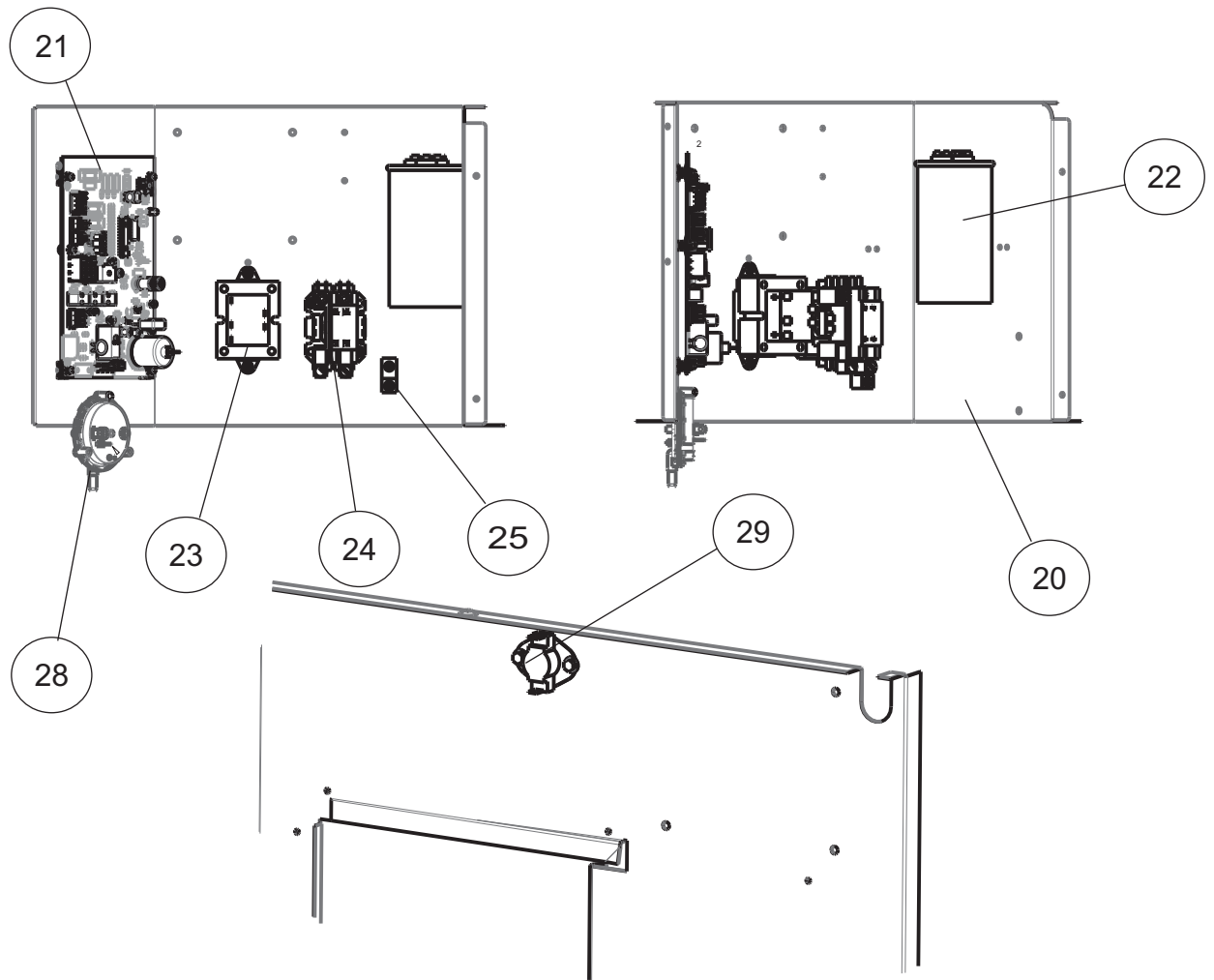
**NOTE:** \*Not ShownNew replacement parts shown in **bold** face type at the first printing of parts list dated 1/18.

Major components and suggested stocking items are shown with shaded item number.

"←" Across from row indicates a change in that row, changed part numbers in red.

--- Not applicable to specified model.





**Electric Box \_ Section 4**

ITEM	FIG	DESCRIPTION	PCG6A240502X1A	PCG6A240752X1A	PCG6A300502X1A
<b>Electric Box</b>					
20	4	Panel, Control, Gas	S1-07339389001	S1-07339389001	S1-07339389001
21	4	Board, Control	S1-33103514000	S1-33103514000	S1-33103514000
22	4	Capacitor, Dual Run	S1-02425891000	S1-02425891000	S1-02425893700
23	4	Transformer	S1-02518452700	S1-02518452700	S1-02518452700
24	4	Contactor	S1-02427531000	S1-02427531000	S1-02427531000
25	4	Lug, Electrical	S1-02521798000	S1-02521798000	S1-02521798000
26	*	Plug, ID	S1-02543275000	S1-02543276000	S1-02543277000
27					
28	4	Switch, Pressure	S1-02436332000	S1-02436332000	S1-02436332000
29	4	Switch, Limit, Auto Reset	S1-02547176000	S1-02547176000	S1-02547176000
30	*	Harness, Main Wiring	S1-02527174000	S1-02527174000	S1-02527174000
31	*	Diagram, Wiring	5202052	5202052	5202052

**NOTE:** \*Not Shown  
 New replacement parts shown in **bold** face type at the first printing of parts list dated 1/18.  
 Major components and suggested stocking items are shown with shaded item number.  
 "<" Across from row indicates a change in that row, changed part numbers in red.  
 --- Not applicable to specified model.



ITEM	FIG	DESCRIPTION	PCG6A300752X1A	PCG6B360652X1A		PCG6B361002X1A
<b>Electric Box</b>						
20	4	Panel, Control, Gas	S1-07339389001	S1-07339389001		S1-07339389001
21	4	Board, Control	S1-33103514000	S1-33103514000		S1-33103514000
22	4	Capacitor, Dual Run	S1-02425893700	S1-02436330000		S1-02436330000
23	4	Transformer	S1-02518452700	S1-02518452700		S1-02518452700
24	4	Contacto	S1-02425837700	S1-02425837700		S1-02425837700
25	4	Lug, Electrical	S1-02521798000	S1-02521798000		S1-02521798000
26	*	Plug, ID	S1-02543278000	S1-02543279000		S1-02543280000
27						
28	4	Switch, Pressure	S1-02436332000	S1-02436332000		S1-02436332000
29	4	Switch, Limit, Auto Reset	S1-02547176000	S1-02547175000		S1-02547175000
30	*	Harness, Main Wiring	S1-02527174000	S1-02527174000		S1-02527174000
31	*	Diagram, Wiring	5202052	5202052		5202052

ITEM	FIG	DESCRIPTION	PCG6B420652X1A	PCG6B421002X1A
<b>Electric Box</b>				
20	4	Panel, Control, Gas	S1-07339389001	S1-07339389001
21	4	Board, Control	S1-33103514000	S1-33103514000
22	4	Capacitor, Dual Run	S1-02425528700	S1-02425528700
23	4	Transformer	S1-02518452700	S1-02518452700
24	4	Contacto	S1-02425837700	S1-02425837700
25	4	Lug, Electrical	S1-02521798000	S1-02521798000
26	*	Plug, ID	S1-02543281000	S1-02543282000
27				
28	4	Switch, Pressure	S1-02436332000	S1-02436332000
29	4	Switch, Limit, Auto Reset	S1-02547175000	S1-02547175000
30	*	Harness, Main Wiring	S1-02527174000	S1-02527174000
31	*	Diagram, Wiring	5202052	5202052

ITEM	FIG	DESCRIPTION	PCG6B480652X1A	PCG6B481002X1A	PCG6B481252X1A
<b>Electric Box</b>					
20	4	Panel, Control, Gas	S1-07339389001	S1-07339389001	S1-07339389001
21	4	Board, Control	S1-33103514000	S1-33103514000	S1-33103514000
22	4	Capacitor, Dual Run	S1-02439544000	S1-02439544000	S1-02439544000
23	4	Transformer	S1-02518452700	S1-02518452700	S1-02518452700
24	4	Contacto	S1-02425837700	S1-02425837700	S1-02425837700
25	4	Lug, Electrical	S1-02521798000	S1-02521798000	S1-02521798000
26	*	Plug, ID	S1-02545262000	S1-02545263000	S1-02545264000
27					
28	4	Switch, Pressure	S1-02436332000	S1-02436332000	S1-02436332000
29	4	Switch, Limit, Auto Reset	S1-02547175000	S1-02547175000	S1-02547175000
30	*	Harness, Main Wiring	S1-02527174000	S1-02527174000	S1-02527174000
31	*	Diagram, Wiring	5202052	5202052	5202052

**NOTE:** \*Not Shown

New replacement parts shown in **bold** face type at the first printing of parts list dated 1/18.

Major components and suggested stocking items are shown with shaded item number.

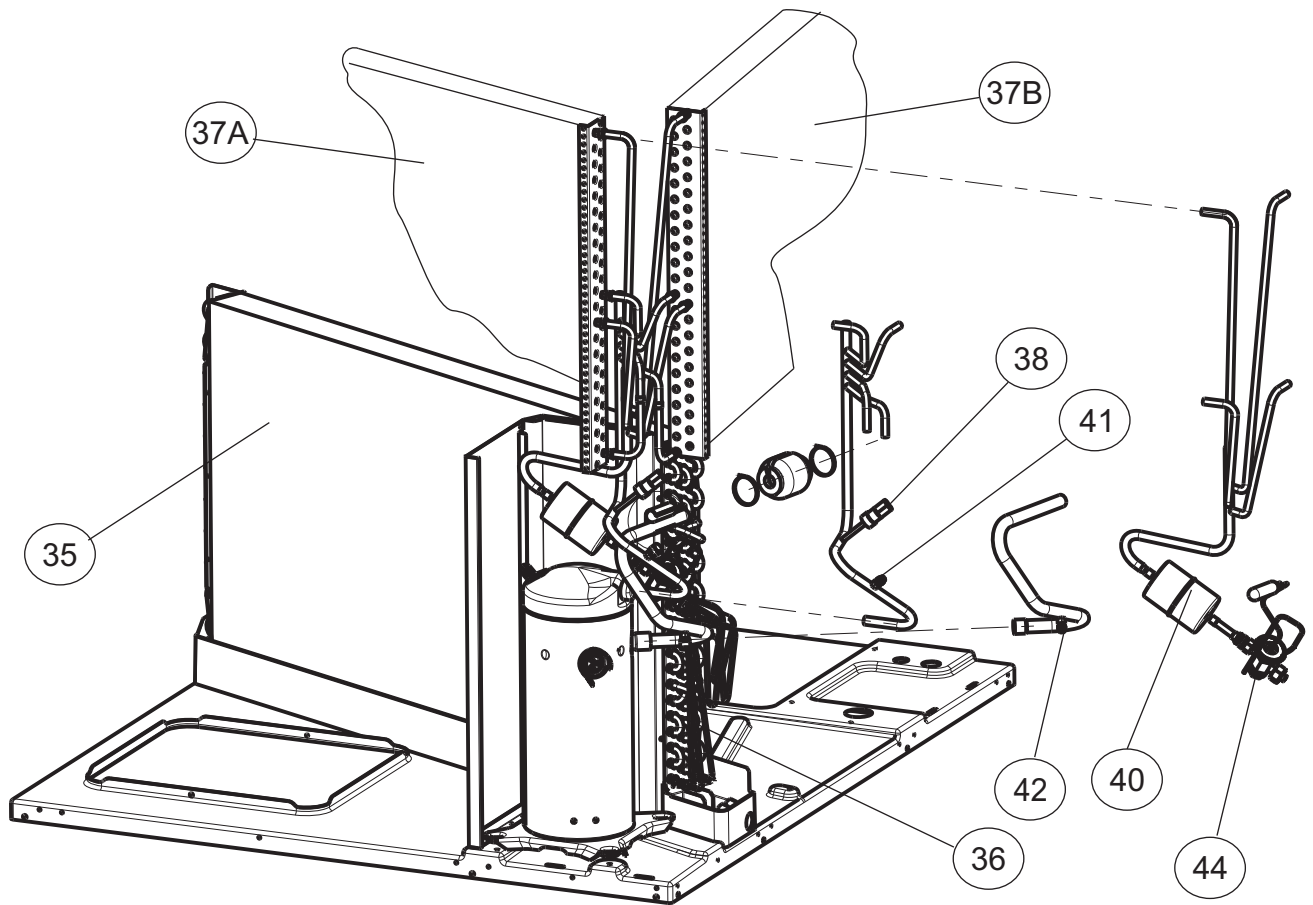
"<" Across from row indicates a change in that row, changed part numbers in red.

--- Not applicable to specified model.



ITEM	FIG	DESCRIPTION	PCG6B600652X1A	PCG6B601002X1A	PCG6B601252X1A
<b>Electric Box</b>					
20	4	Panel, Control, Gas	S1-07339389001	S1-07339389001	S1-07339389001
21	4	Board, Control	S1-33103514000	S1-33103514000	S1-33103514000
22	4	Capacitor, Dual Run	S1-02436330000	S1-02436330000	S1-02436330000
23	4	Transformer	S1-02518452700	S1-02518452700	S1-02518452700
24	4	Contact	S1-02425837700	S1-02425837700	S1-02425837700
25	4	Lug, Electrical	S1-02521798000	S1-02521798000	S1-02521798000
26	*	Plug, ID	S1-02545265000	S1-02545266000	S1-02527167000
27					
28	4	Switch, Pressure	S1-02436332000	S1-02436332000	S1-02436332000
29	4	Switch, Limit, Auto Reset	S1-02547175000	S1-02547175000	S1-02547175000
30	*	Harness, Main Wiring	S1-02577174000	S1-02527174000	S1-02527174000
31	*	Diagram, Wiring	5202052	5202052	5202052

**NOTE:** \*Not Shown  
 New replacement parts shown in **bold** face type at the first printing of parts list dated 1/18.  
 Major components and suggested stocking items are shown with shaded item number.  
 "<" Across from row indicates a change in that row, changed part numbers in red.  
 --- Not applicable to specified model.



Evaporator, Condenser Coil Section \_ Figure 5

ITEM	FIG	DESCRIPTION	PCG6A240502X1A	PCG6A240752X1A	PCG6A300502X1A
<b>Evaporator Coil, Condenser Coil, and Piping Components</b>					
35	5	Coil, Evaporator	S1-37339448001	S1-37339448001	S1-37339448001
36	5	Distributor, CU (Evap)	S1-02212974000	S1-02212974000	S1-02212974000
37A	5	Coil, Condenser, LH	S1-37339381004	S1-37339381004	S1-37339381001
37B	5	Coil, Condenser, RH	S1-37339381009	S1-37339381009	S1-37339381006
38	5	Switch, High Pressure	S1-02545253000	S1-02545253000	S1-02545253000
40	5	Filter Drier	S1-400437	S1-400437	S1-400437
41	5	Valve, Schraeder (2 Req'd)	S1-02202475700	S1-02202475700	S1-02202475700
42	5	Cap, Seal (2 Req'd)	S1-02310745000	S1-02310745000	S1-02310745000
43	*	Stub, Inlet	S1-02212972000	S1-02212972000	S1-02212972000
44	5	TXV, (Cond Coil)	S1-02227175000	S1-02227175000	S1-02227176000
45	*	Switch, Loss of Charge	S1-02436274000	S1-02436274000	S1-02436274000

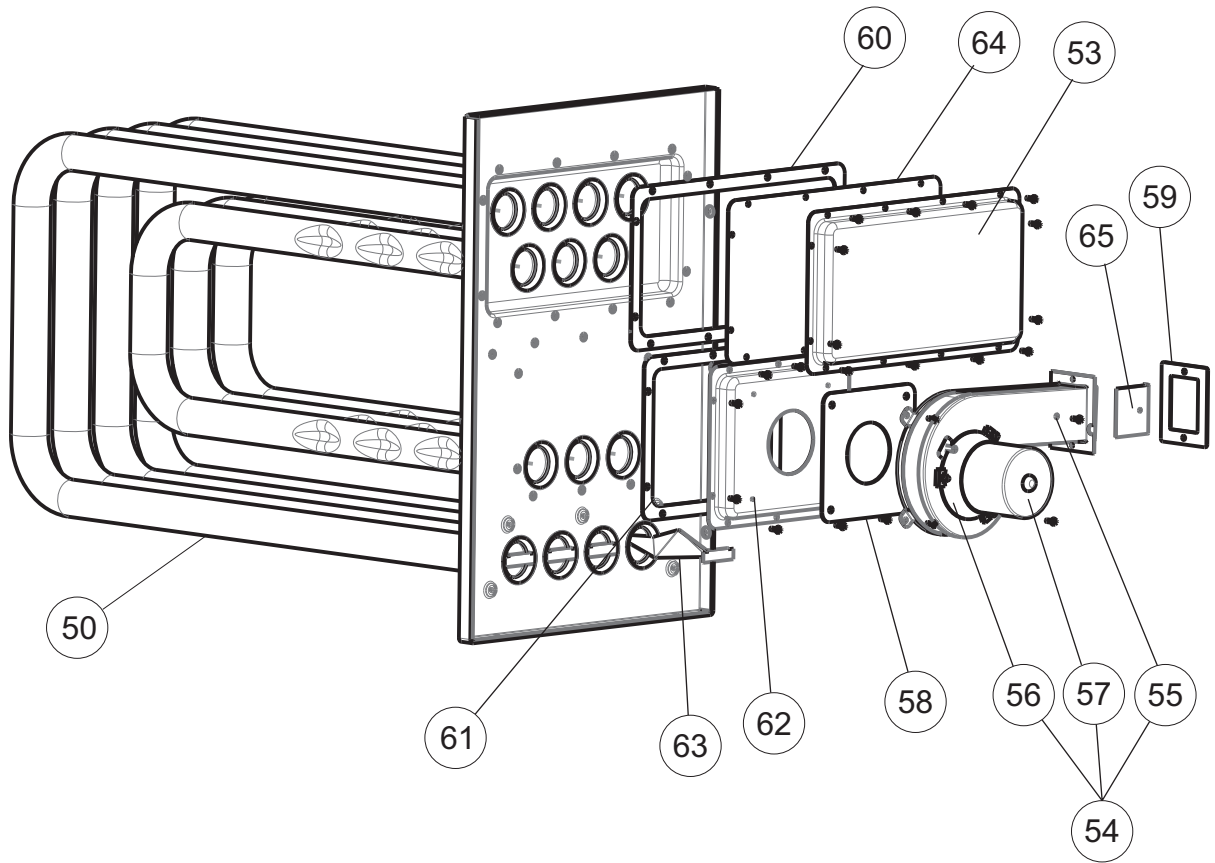
ITEM	FIG	DESCRIPTION	PCG6A300752X1A	PCG6B360652X1A	
<b>Evaporator Coil, Condenser Coil, and Piping Components</b>					
35	5	Coil, Evaporator	S1-37339448001	S1-37339448002	
36	5	Distributor, CU (Evap)	S1-02212974000	S1-02212974000	
37A	5	Coil, Condenser, LH	S1-37339381001	S1-37339449001	
37B	5	Coil, Condenser, RH	S1-37339381006	S1-37339449002	
38	5	Switch, High Pressure	S1-02545253000	S1-02545253000	
40	5	Filter Drier	S1-400437	S1-400437	
41	5	Valve, Schraeder (2 Req'd)	S1-02202475700	S1-02202475700	
42	5	Cap, Seal (2 Req'd)	S1-02310745000	S1-02310745000	
43	*	Stub, Inlet	S1-02212972000	S1-02212972000	
44	5	TXV, (Cond Coil)	S1-02227176000	S1-02227177000	
45	*	Switch, Loss of Charge	S1-02436274000	S1-02436274000	

ITEM	FIG	DESCRIPTION	PCG6B361002X1A	PCG6B420652X1A	PCG6B421002X1A
<b>Evaporator Coil, Condenser Coil, and Piping Components</b>					
35	5	Coil, Evaporator	S1-37339448002	S1-37339448002	S1-37339448002
36	5	Distributor, CU (Evap)	S1-02212974000	S1-02212974000	S1-02212974000
37A	5	Coil, Condenser, LH	S1-37339449001	S1-37339449001	S1-37339449001
37B	5	Coil, Condenser, RH	S1-37339449002	S1-37339449002	S1-37339449002
38	5	Switch, High Pressure	S1-02545253000	S1-02545253000	S1-02545253000
40	5	Filter Drier	S1-400437	S1-400437	S1-400437
41	5	Valve, Schraeder (2 Req'd)	S1-02202475700	S1-02202475700	S1-02202475700
42	5	Cap, Seal (2 Req'd)	S1-02310745000	S1-02310745000	S1-02310745000
43	*	Stub, Inlet	S1-02212972000	S1-02212972000	S1-02212972000
44	5	TXV, (Cond Coil)	S1-02227177000	S1-02227178000	S1-02227178000
45	*	Switch, Loss of Charge	S1-02436274000	S1-02436274000	S1-02436274000

ITEM	FIG	DESCRIPTION	PCG6B480652X1A	PCG6B481002X1A	PCG6B481252X1A
<b>Evaporator Coil, Condenser Coil, and Piping Components</b>					
35	5	Coil, Evaporator	S1-37339448002	S1-37339448002	S1-37339448002
36	5	Distributor, CU (Evap)	S1-02212974000	S1-02212974000	S1-02212974000
37A	5	Coil, Condenser, LH	S1-37339381003	S1-37339381003	S1-37339381003
37B	5	Coil, Condenser, RH	S1-37339381008	S1-37339381008	S1-37339381008
38	5	Switch, High Pressure	S1-02545253000	S1-02545253000	S1-02545253000
40	5	Filter Drier	S1-400437	S1-400437	S1-400437
41	5	Valve, Schraeder (2 Req'd)	S1-02202475700	S1-02202475700	S1-02202475700
42	5	Cap, Seal (2 Req'd)	S1-02310745000	S1-02310745000	S1-02310745000
43	*	Stub, Inlet	S1-02212972000	S1-02212972000	S1-02212972000
44	5	TXV, (Cond Coil)	S1-02227179000	S1-02227179000	S1-02227179000
45	*	Switch, Loss of Charge	S1-02436274000	S1-02436274000	S1-02436274000

ITEM	FIG	DESCRIPTION	PCG6B600652X1A	PCG6B601002X1A	PCG6B601252X1A
<b>Evaporator Coil, Condenser Coil, and Piping Components</b>					
35	5	Coil, Evaporator	S1-37339448003	S1-37339448003	S1-37339448003
36	5	Distributor, CU (Evap)	S1-02212985001	S1-02212985001	S1-02212985001
37A	5	Coil, Condenser, LH	S1-37339381005	S1-37339381005	S1-37339381005
37B	5	Coil, Condenser, RH	S1-37339381010	S1-37339381010	S1-37339381010
38	5	Switch, High Pressure	S1-02545253000	S1-02545253000	S1-02545253000
40	5	Filter Drier	S1-400437	S1-400437	S1-400437
41	5	Valve, Schraeder (2 Req'd)	S1-02202475700	S1-02202475700	S1-02202475700
42	5	Cap, Seal (2 Req'd)	S1-02310745000	S1-02310745000	S1-02310745000
43	*	Stub, Inlet	S1-02212972000	S1-02212972000	S1-02212972000
44	5	TXV, (Cond Coil)	S1-02227180000	S1-02227180000	S1-02227180000
45	*	Switch, Loss of Charge	S1-02436274000	S1-02436274000	S1-02436274000

\*Not Shown  
 New replacement parts shown in **bold** face type at the first printing of parts list dated 1/18.  
 Major components and suggested stocking items are shown with shaded item number.  
 “<” Across from row indicates a change in that row, changed part numbers in red.  
 --- Not applicable to specified model.



Heat Section \_ Figure 6

ITEM	FIG	DESCRIPTION	PCG6A240502X1A	PCG6A240752X1A	PCG6A300502X1A
<b>Heating Section and Vent Blower Components</b>					
50	6	Heat Exchanger Assy	S1-37327997001	S1-37327997002	S1-37327997001
51					
53	6	Pan, Cover	S1-07339392002	S1-07339392002	S1-07339392002
54	6	Assy, Vent Blower (Includes 55-59)	<b>S1-37339483001</b>	<b>S1-37339483001</b>	<b>S1-37339483001</b>
55	6	Housing, Draft Inducer	S1-02647764000	S1-02647764000	S1-02647764000
56	6	Wheel, Vent Blower	S1-02647765000	S1-02647765000	S1-02647765000
57	6	Motor, Vent Blower	<b>S1-02439704000</b>	<b>S1-02439704000</b>	<b>S1-02439704000</b>
58	6	Gasket, Draft Inducer	(2) S1-02816463000	S1-02816463000	(2) S1-02816463000
59	6	Gasket, Draft Inducer, Outlet	S1-02816464000	S1-02816464000	S1-02816464000
60	6	Gasket, Draft Inducer Pan	S1-02816465000	S1-02816465000	S1-02816465000
61	6	Gasket, Cover Pan	S1-02816462000	S1-02816462000	S1-02816462000
62	6	Pan, Inducer	S1-07327987001	S1-07327987001	S1-07327987001
63	6	Screen, Lo-Nox	S1-02635452000	S1-02635452000	S1-02635452000
64	6	Panel, Heat Shield	S1-07339390001	S1-07339390001	S1-07339390001
65	6	Bracket, Flue Restrictor	<b>S1-07339484001</b>	S1-07339387005	<b>S1-07339484001</b>
66					

ITEM	FIG	DESCRIPTION	PCG6A300752X1A	PCG6B360652X1A	
<b>Heating Section and Vent Blower Components</b>					
50	6	Heat Exchanger Assy	S1-37327997002	S1-37327997004	
51					
53	6	Pan, Cover	S1-07339392002	S1-07339392002	
54	6	Assy, Vent Blower (Includes 55-59)	<b>S1-37339483001</b>	S1-37339450001	
55	6	Housing, Draft Inducer	S1-02647764000	S1-02647764000	
56	6	Wheel, Vent Blower	S1-02647765000	S1-02647765000	
57	6	Motor, Vent Blower	<b>S1-02439704000</b>	S1-02436331000	
58	6	Gasket, Draft Inducer	S1-02816463000	S1-02816463000	
59	6	Gasket, Draft Inducer, Outlet	S1-02816464000	S1-02816464000	
60	6	Gasket, Draft Inducer Pan	S1-02816465000	S1-02816465000	
61	6	Gasket, Cover Pan	S1-02816462000	S1-02816462000	
62	6	Pan, Inducer	S1-07327987001	S1-07327987001	
63	6	Screen, Lo-Nox	S1-02635452000	S1-02635452000	
64	6	Panel, Heat Shield	S1-07339390001	S1-07339390001	
65	6	Bracket, Flue Restrictor	S1-07339387005	S1-07339387004	
66					

ITEM	FIG	DESCRIPTION	PCG6B361002X1A	PCG6B420652X1A	PCG6B421002X1A
<b>Heating Section and Vent Blower Components</b>					
50	6	Heat Exchanger Assy	S1-37327997005	S1-37327997004	S1-37327997005
51					
53	6	Pan, Cover	S1-07339392002	S1-07339392002	S1-07339392002
54	6	Assy, Vent Blower (Includes 55-59)	S1-37339450001	S1-37339450001	S1-37339450001
55	6	Housing, Draft Inducer	S1-02647764000	S1-02647764000	S1-02647764000
56	6	Wheel, Vent Blower	S1-02647765000	S1-02647765000	S1-02647765000
57	6	Motor, Vent Blower	S1-02436331000	S1-02436331000	S1-02436331000
58	6	Gasket, Draft Inducer	S1-02816463000	S1-02816463000	S1-02816463000
59	6	Gasket, Draft Inducer, Outlet	S1-02816464000	S1-02816464000	S1-02816464000
60	6	Gasket, Draft Inducer Pan	S1-02816465000	S1-02816465000	S1-02816465000
61	6	Gasket, Cover Pan	S1-02816462000	S1-02816462000	S1-02816462000
62	6	Pan, Inducer	S1-07327987001	S1-07327987001	S1-07327987001
63	6	Screen, Lo-Nox	S1-02635452000	S1-02635452000	S1-02635452000
64	6	Panel, Heat Shield	S1-07339390001	S1-07339390001	S1-07339390001
65	6	Bracket, Flue Restrictor	S1-07339387003	S1-07339387004	S1-07339387003
66					

ITEM	FIG	DESCRIPTION	PCG6B480652X1A	PCG6B481002X1A	PCG6B481252X1A
<b>Heating Section and Vent Blower Components</b>					
50	6	Heat Exchanger Assy	S1-37327997004	S1-37327997005	S1-37327997006
51					
53	6	Pan, Cover	S1-07339392002	S1-07339392002	S1-07339392002
54	6	Assy, Vent Blower (Includes 55-59)	S1-37339450001	S1-37339450001	S1-37339450001
55	6	Housing, Draft Inducer	S1-02647764000	S1-02647764000	S1-02647764000
56	6	Wheel, Vent Blower	S1-02647765000	S1-02647765000	S1-02647765000
57	6	Motor, Vent Blower	S1-02436331000	S1-02436331000	S1-02436331000
58	6	Gasket, Draft Inducer	S1-02816463000	S1-02816463000	S1-02816463000
59	6	Gasket, Draft Inducer, Outlet	S1-02816464000	S1-02816464000	S1-02816464000
60	6	Gasket, Draft Inducer Pan	S1-02816465000	S1-02816465000	S1-02816465000
61	6	Gasket, Cover Pan	S1-02816462000	S1-02816462000	S1-02816462000
62	6	Pan, Inducer	S1-07327987001	S1-07327987001	S1-07327987001
63	6	Screen, Lo-Nox	S1-02635452000	S1-02635452000	S1-02635452000
64	6	Panel, Heat Shield	S1-07339390001	S1-07339390001	S1-07339390001
65	6	Bracket, Flue Restrictor	S1-07339387004	S1-07339387003	S1-07339387001
66					

ITEM	FIG	DESCRIPTION	PCG6B600652X1A	PCG6B601002X1A	PCG6B601252X1A
<b>Heating Section and Vent Blower Components</b>					
50	6	Heat Exchanger Assy	S1-37327997004	S1-37327997005	S1-37327997006
51					
53	6	Pan, Cover	S1-07339392002	S1-07339392002	S1-07339392002
54	6	Assy, Vent Blower (Includes 55-59)	S1-37339450001	S1-37339450001	S1-37339450001
55	6	Housing, Draft Inducer	S1-02647764000	S1-02647764000	S1-02647764000
56	6	Wheel, Vent Blower	S1-02647765000	S1-02647765000	S1-02647765000
57	6	Motor, Vent Blower	S1-02436331000	S1-02436331000	S1-02436331000
58	6	Gasket, Draft Inducer	S1-02816463000	S1-02816463000	S1-02816463000
59	6	Gasket, Draft Inducer, Outlet	S1-02816464000	S1-02816464000	S1-02816464000
60	6	Gasket, Draft Inducer Pan	S1-02816465000	S1-02816465000	S1-02816465000
61	6	Gasket, Cover Pan	S1-02816462000	S1-02816462000	S1-02816462000
62	6	Pan, Inducer	S1-07327987001	S1-07327987001	S1-07327987001
63	6	Screen, Lo-Nox	S1-02635452000	S1-02635452000	S1-02635452000
64	6	Panel, Heat Shield	S1-07339390001	S1-07339390001	S1-07339390001
65	6	Bracket, Flue Restrictor	S1-07339387004	S1-07339387003	S1-07339387001
66					

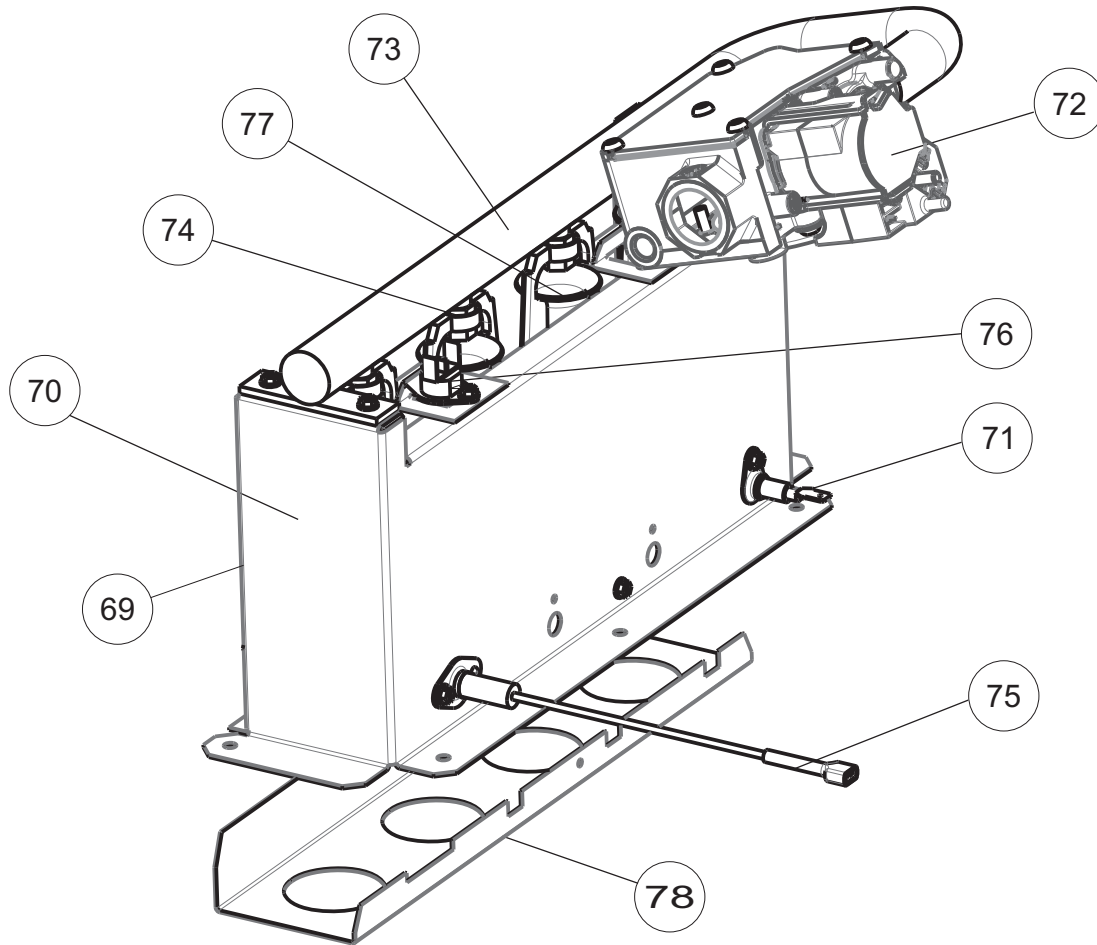
**NOTE:** \*Not ShownNew replacement parts shown in **bold** face type at the first printing of parts list dated 1/18.

Major components and suggested stocking items are shown with shaded item number.

“&lt;” Across from row indicates a change in that row, changed part numbers in red.

--- Not applicable to specified model.





Burner Section \_ Figure 7

ITEM	FIG	DESCRIPTION	PCG6A240502X1A	PCG6A240752X1A	PCG6A300502X1A
<b>Burner Assembly</b>					
69	7	Support, Burner	S1-07339394001	S1-07339394001	S1-07339394001
70	7	Box, Burner	S1-07339370001	S1-07339370001	S1-07339370001
71	7	Flame, Sensor	S1-02537499000	S1-02537499000	S1-02537499000
72	7	Valve, Gas	S1-02544124000	S1-02544124000	S1-02544124000
73	7	Manifold, Gas (Includes Orifices)	S1-02926834000	S1-02926836000	S1-02926834000
74	7	Orifice, Gas	S1-02926851000	S1-02926851000	S1-02926851000
75	7	Ignitor, Spark	S1-02547172000	S1-02547172000	S1-02547172000
76	7	Switch, Control Roll-out	S1-02541318000	S1-02541318000	S1-02541318000
77	7	Burner, Gas	S1-02922473000	S1-02922473000	S1-02922473000
78	7	Retainer, Lo-Nox	S1-07339384001	S1-07339384001	S1-07339384001

**NOTE:** \*Not Shown  
 New replacement parts shown in **bold** face type at the first printing of parts list dated 1/18.  
 Major components and suggested stocking items are shown with shaded item number.  
 "<" Across from row indicates a change in that row, changed part numbers in red.  
 --- Not applicable to specified model.



ITEM	FIG	DESCRIPTION	PCG6A300752X1A	PCG6B360652X1A	
<b>Burner Assembly</b>					
69	7	Support, Burner	S1-07339394001	S1-07339394001	
70	7	Box, Burner	S1-07339370001	S1-07339370001	
71	7	Flame, Sensor	S1-02537499000	S1-02537499000	
72	7	Valve, Gas	S1-02544124000	S1-02544124000	
73	7	Manifold, Gas (Includes Orifices)	S1-02926836000	S1-02926835000	
74	7	Orifice, Gas	S1-02926851000	S1-02926851000	
75	7	Ignitor, Spark	S1-02547172000	S1-02547172000	
76	7	Switch, Control Roll-out	S1-02541318000	S1-02541318000	
77	7	Burner, Gas	S1-02922473000	S1-02922473000	
78	7	Retainer, Lo-Nox	S1-07339384001	S1-07339384001	

ITEM	FIG	DESCRIPTION	PCG6B361002X1A	PCG6B420652X1A	PCG6B421002X1A
<b>Burner Assembly</b>					
69	7	Support, Burner	S1-07339394001	S1-07339394001	S1-07339394001
70	7	Box, Burner	S1-07339370001	S1-07339370001	S1-07339370001
71	7	Flame, Sensor	S1-02537499000	S1-02537499000	S1-02537499000
72	7	Valve, Gas	S1-02544124000	S1-02544124000	S1-02544124000
73	7	Manifold, Gas (Includes Orifices)	S1-02926837000	S1-02926835000	S1-02926837000
74	7	Orifice, Gas	S1-02926851000	S1-02926851000	S1-02926851000
75	7	Ignitor, Spark	S1-02547172000	S1-02547172000	S1-02547172000
76	7	Switch, Control Roll-out	S1-02541318000	S1-02541318000	S1-02541318000
77	7	Burner, Gas	S1-02922473000	S1-02922473000	S1-02922473000
78	7	Retainer, Lo-Nox	S1-07339384001	S1-07339384001	S1-07339384001

ITEM	FIG	DESCRIPTION	PCG6B480652X1A	PCG6B481002X1A	PCG6B481252X1A
<b>Burner Assembly</b>					
69	7	Support, Burner	S1-07339394001	S1-07339394001	S1-07339394001
70	7	Box, Burner	S1-07339370001	S1-07339370001	S1-07339370001
71	7	Flame, Sensor	S1-02537499000	S1-02537499000	S1-02537499000
72	7	Valve, Gas	S1-02544124000	S1-02544124000	S1-02544124000
73	7	Manifold, Gas (Includes Orifices)	S1-02926835000	S1-02926837000	S1-02926839000
74	7	Orifice, Gas	S1-02926854000	S1-02926854000	S1-02926854000
75	7	Ignitor, Spark	S1-02547172000	S1-02547172000	S1-02547172000
76	7	Switch, Control Roll-out	S1-02541318000	S1-02541318000	S1-02541318000
77	7	Burner, Gas	S1-02922473000	S1-02922473000	S1-02922473000
78	7	Retainer, Lo-Nox	S1-07339384001	S1-07339384001	S1-07339384001

ITEM	FIG	DESCRIPTION	PCG6B600652X1A	PCG6B601002X1A	PCG6B601252X1A
<b>Burner Assembly</b>					
69	7	Support, Burner	S1-07339394001	S1-07339394001	S1-07339394001
70	7	Box, Burner	S1-07339370001	S1-07339370001	S1-07339370001
71	7	Flame, Sensor	S1-02537499000	S1-02537499000	S1-02537499000
72	7	Valve, Gas	S1-02544124000	S1-02544124000	S1-02544124000
73	7	Manifold, Gas (Includes Orifices)	S1-02926835000	S1-02926837000	S1-02926839000
74	7	Orifice, Gas	S1-02926854000	S1-02926854000	S1-02926854000
75	7	Ignitor, Spark	S1-02547172000	S1-02547172000	S1-02547172000
76	7	Switch, Control Roll-out	S1-02541318000	S1-02541318000	S1-02541318000
77	7	Burner, Gas	S1-02922473000	S1-02922473000	S1-02922473000
78	7	Retainer, Lo-Nox	S1-07339384001	S1-07339384001	S1-07339384001

**NOTE:** \*Not Shown  
New replacement parts shown in **bold** face type at the first printing of parts list dated 1/18.  
Major components and suggested stocking items are shown with shaded item numbers.   
"←" Across from row indicates a change in that row, changed part numbers in red.  
--- Not applicable to specified model.





ITEM	FIG	DESCRIPTION	PCG6A240502X1A	PCG6A240752X1A	PCG6A300502X1A
<b>Outer Sheet Metal and Components</b>					
82	8	Base Rail, Front and Rear (2 Req'd)	S1-07327986001	S1-07327986001	S1-07327986001
83	8	Base Rail, Side (2 Req'd)	S1-07327986003	S1-07327986003	S1-07327986003
84	8	Panel Assy, Rear Duct	S1-37327989002	S1-37327989002	S1-37327989002
85	8	Panel Assy, Coil/Filter Access	S1-37327990001	S1-37327990001	S1-37327990001
86	8	Panel, Compressor Access	S1-07339375001	S1-07339375001	S1-07339375001
87	8	Panel Assy, Blower Access	S1-37327991001	S1-37327991001	S1-37327991001
88	8	Panel, Burner/Control Access	S1-07327998001	S1-07327998001	S1-07327998001
89	8	Panel, Gas Utility	S1-07339380001	S1-07339380001	S1-07339380001
90	8	Panel Assy, Heat Exchger Access	S1-37327992001	S1-37327992001	S1-37327992001
91	8	Post, Corner, Small (2 Req'd)	S1-07339377003	S1-07339377003	S1-07339377003
92	8	Post, Corner, Large (2 Req'd)	S1-07339376003	S1-07339376003	S1-07339376003
93	8	Guard, Coil, Front & Rear (2 Req'd)	S1-07339371003	S1-07339371003	S1-07339371003
94	8	Guard, Coil, Side (2 Req'd)	S1-07339374003	S1-07339374003	S1-07339374003
95	8	Panel Assy, Duct Cover	S1-37327995001	S1-37327995001	S1-37327995001
96	8	Panel, Top	S1-07339378002	S1-07339378002	S1-07339378002
97	8	Hood, Rain, Flue (Vent Air Outlet)	S1-36393686001	S1-36393686001	S1-36393686001
98	8	Hood, Exhaust Cover	S1-07339391001	S1-07339391001	S1-07339391001
99	8	Grommet, 1-5/8" PVC	S1-02804859900	S1-02804859900	S1-02804859900
100	8	Plug,Plastic,1-3/32 Inch (2 Req'd)	S1-02816466000	S1-02816466000	S1-02816466000
101	8	Plug, Seal 7/8 Inch (2 Req'd)	S1-02815853000	S1-02815853000	S1-02815853000

ITEM	FIG	DESCRIPTION	PCG6A300752X1A	PCG6B360652X1A	
<b>Outer Sheet Metal and Components</b>					
82	8	Base Rail, Front and Rear (2 Req'd)	S1-07327986001	S1-07327986001	
83	8	Base Rail, Side (2 Req'd)	S1-07327986003	S1-07327986002	
84	8	Panel Assy, Rear Duct	S1-37327989002	S1-37327989001	
85	8	Panel Assy, Coil/Filter Access	S1-37327990001	S1-37327990002	
86	8	Panel, Compressor Access	S1-07339375001	S1-07339375001	
87	8	Panel Assy, Blower Access	S1-37327991001	S1-37327991001	
88	8	Panel, Burner/Control Access	S1-07327998001	S1-07327998001	
89	8	Panel, Gas Utility	S1-07339380001	S1-07339380001	
90	8	Panel Assy, Heat Exchger Access	S1-37327992001	S1-37327992002	
91	8	Post, Corner, Small (2 Req'd)	S1-07339377003	S1-07339377004	
92	8	Post, Corner, Large (2 Req'd)	S1-07339376003	S1-07339376004	
93	8	Guard, Coil, Front & Rear (2 Req'd)	S1-07339371003	S1-07339371004	
94	8	Guard, Coil, Side (2 Req'd)	S1-07339374003	S1-07339372004	
95	8	Panel Assy, Duct Cover	S1-37327995001	S1-37327995002	
96	8	Panel, Top	S1-07339378002	S1-07339378001	
97	8	Hood, Rain, Flue (Vent Air Outlet)	S1-36393686001	S1-36393686001	
98	8	Hood, Exhaust Cover	S1-07339391001	S1-07339391001	
99	8	Grommet, 1-5/8" PVC	S1-02804859900	S1-02804859900	
100	8	Plug,Plastic,1-3/32 Inch (2 Req'd)	S1-02816466000	S1-02816466000	
101	8	Plug, Seal 7/8 Inch (2 Req'd)	S1-02815853000	S1-02815853000	

**NOTE:** \*Not Shown

New replacement parts shown in **bold** face type at the first printing of parts list dated 1/18.

Major components and suggested stocking items are shown with shaded item number.

"<" Across from row indicates a change in that row, changed part numbers in red.

--- Not applicable to specified model.

ITEM	FIG	DESCRIPTION	PCG6B361002X1A	PCG6B420652X1A	PCG6B421002X1A
<b>Outer Sheet Metal and Components</b>					
82	8	Base Rail, Front and Rear (2 Req'd)	S1-07327986001	S1-07327986001	S1-07327986001
83	8	Base Rail, Side (2 Req'd)	S1-07327986002	S1-07327986002	S1-07327986002
84	8	Panel Assy, Rear Duct	S1-37327989001	S1-37327989001	S1-37327989001
85	8	Panel Assy, Coil/Filter Access	S1-37327990002	S1-37327990002	S1-37327990002
86	8	Panel, Compressor Access	S1-07339375001	S1-07339375001	S1-07339375001
87	8	Panel Assy, Blower Access	S1-37327991001	S1-37327991001	S1-37327991001
88	8	Panel, Burner/Control Access	S1-07327998001	S1-07327998001	S1-07327998001
89	8	Panel, Gas Utility	S1-07339380001	S1-07339380001	S1-07339380001
90	8	Panel Assy, Heat Exchger Access	S1-37327992002	S1-37327992002	S1-37327992002
91	8	Post, Corner, Small (2 Req'd)	S1-07339377004	S1-07339377004	S1-07339377004
92	8	Post, Corner, Large (2 Req'd)	S1-07339376004	S1-07339376004	S1-07339376004
93	8	Guard, Coil, Front & Rear (2 Req'd)	S1-07339371004	S1-07339371004	S1-07339371004
94	8	Guard, Coil, Side (2 Req'd)	S1-07339372004	S1-07339372004	S1-07339372006
95	8	Panel Assy, Duct Cover	S1-37327995002	S1-37327995002	S1-37327995002
96	8	Panel, Top	S1-07339378001	S1-07339378001	S1-07339378001
97	8	Hood, Rain, Flue (Vent Air Outlet)	S1-36393686001	S1-36393686001	S1-36393686001
98	8	Hood, Exhaust Cover	S1-07339391001	S1-07339391001	S1-07339391001
99	8	Grommet, 1-5/8" PVC	S1-02804859900	S1-02804859900	S1-02804859900
100	8	Plug, Plastic, 1-3/32 Inch (2 Req'd)	S1-02816466000	S1-02816466000	S1-02816466000
101	8	Plug, Seal 7/8 Inch (2 Req'd)	S1-02815853000	S1-02815853000	S1-02815853000

ITEM	FIG	DESCRIPTION	PCG6B480652X1A	PCG6B481002X1A	PCG6B481252X1A
<b>Outer Sheet Metal and Components</b>					
82	8	Base Rail, Front and Rear (2 Req'd)	S1-07327986001	S1-07327986001	S1-07327986001
83	8	Base Rail, Side (2 Req'd)	S1-07327986002	S1-07327986002	S1-07327986002
84	8	Panel Assy, Rear Duct	S1-37327989001	S1-37327989001	S1-37327989001
85	8	Panel Assy, Coil/Filter Access	S1-37327990002	S1-37327990002	S1-37327990002
86	8	Panel, Compressor Access	S1-07339375001	S1-07339375001	S1-07339375001
87	8	Panel Assy, Blower Access	S1-37327991001	S1-37327991001	S1-37327991001
88	8	Panel, Burner/Control Access	S1-07327998001	S1-07327998001	S1-07327998001
89	8	Panel, Gas Utility	S1-07339380001	S1-07339380001	S1-07339380001
90	8	Panel Assy, Heat Exchger Access	S1-37327992002	S1-37327992002	S1-37327992002
91	8	Post, Corner, Small (2 Req'd)	S1-07339377006	S1-07339377006	S1-07339377006
92	8	Post, Corner, Large (2 Req'd)	S1-07339376006	S1-07339376006	S1-07339376006
93	8	Guard, Coil, Front & Rear (2 Req'd)	S1-07339371006	S1-07339371006	S1-07339371006
94	8	Guard, Coil, Side (2 Req'd)	S1-07339372006	S1-07339372006	S1-07339372006
95	8	Panel Assy, Duct Cover	S1-37327995002	S1-37327995002	S1-37327995002
96	8	Panel, Top	S1-07339378001	S1-07339378001	S1-07339378001
97	8	Hood, Rain, Flue (Vent Air Outlet)	S1-36393686001	S1-36393686001	S1-36393686001
98	8	Hood, Exhaust Cover	S1-07339391001	S1-07339391001	S1-07339391001
99	8	Grommet, 1-5/8" PVC	S1-02804859900	S1-02804859900	S1-02804859900
100	8	Plug, Plastic, 1-3/32 Inch (2 Req'd)	S1-02816466000	S1-02816466000	S1-02816466000
101	8	Plug, Seal 7/8 Inch (2 Req'd)	S1-02815853000	S1-02815853000	S1-02815853000

**NOTE:** \*Not ShownNew replacement parts shown in **bold** face type at the first printing of parts list dated 1/18.

Major components and suggested stocking items are shown with shaded item number.

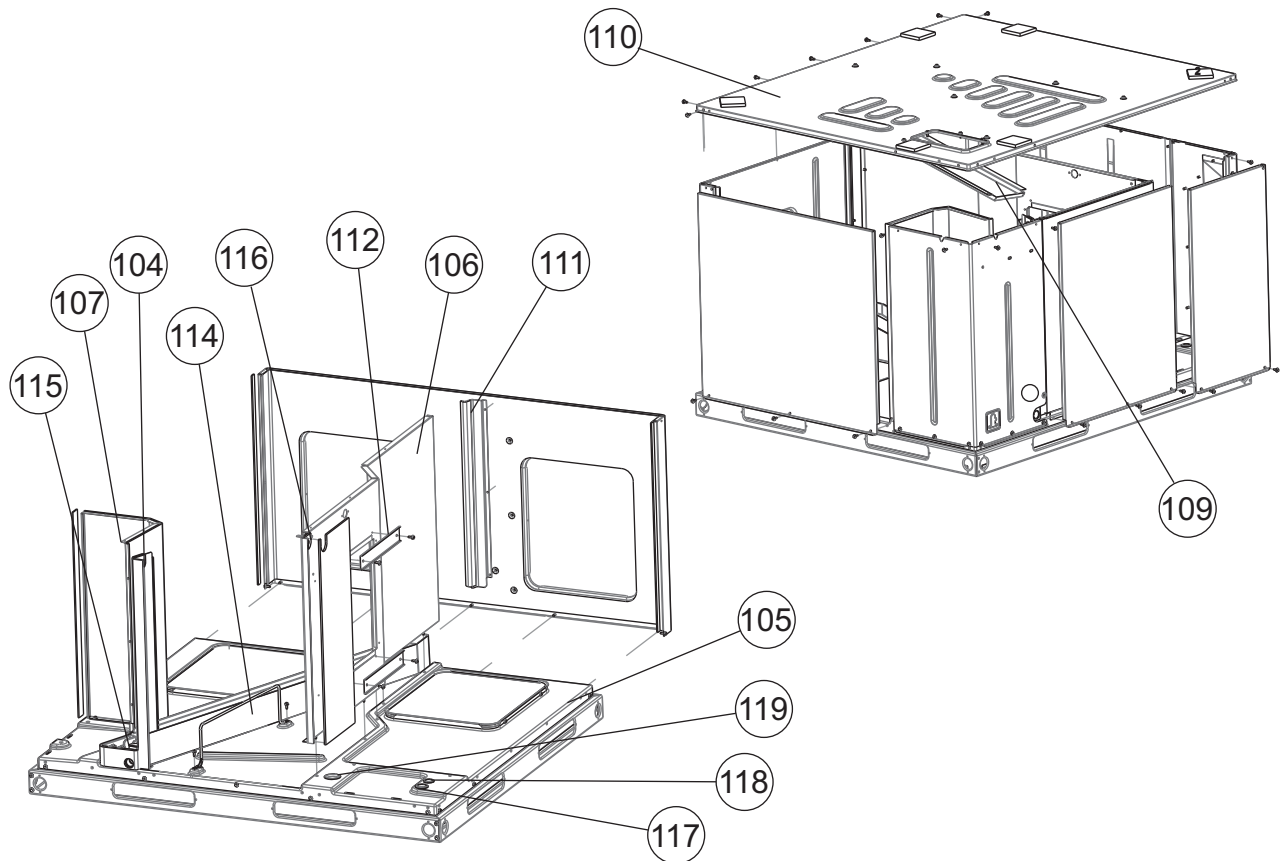
"←" Across from row indicates a change in that row, changed part numbers in red.

--- Not applicable to specified model.



ITEM	FIG	DESCRIPTION	PCG6B600652X1A	PCG6B601002X1A	PCG6B601252X1A
<b>Outer Sheet Metal and Components</b>					
82	8	Base Rail, Front and Rear (2 Req'd)	S1-07327986001	S1-07327986001	S1-07327986001
83	8	Base Rail, Side (2 Req'd)	S1-07327986002	S1-07327986002	S1-07327986002
84	8	Panel Assy, Rear Duct	S1-37327989001	S1-37327989001	S1-37327989001
85	8	Panel Assy, Coil/Filter Access	S1-37327990002	S1-37327990002	S1-37327990002
86	8	Panel, Compressor Access	S1-07339375001	S1-07339375001	S1-07339375001
87	8	Panel Assy, Blower Access	S1-37327991001	S1-37327991001	S1-37327991001
88	8	Panel, Burner/Control Access	S1-07327998001	S1-07327998001	S1-07327998001
89	8	Panel, Gas Utility	S1-07339380001	S1-07339380001	S1-07339380001
90	8	Panel Assy, Heat Exchger Access	S1-37327992002	S1-37327992002	S1-37327992002
91	8	Post, Corner, Small (2 Req'd)	S1-07339377007	S1-07339377007	S1-07339377007
92	8	Post, Corner, Large (2 Req'd)	S1-07339376007	S1-07339376007	S1-07339376007
93	8	Guard, Coil, Front & Rear (2 Req'd)	S1-07339371007	S1-07339371007	S1-07339371007
94	8	Guard, Coil, Side (2 Req'd)	S1-07339372007	S1-07339372007	S1-07339372007
95	8	Panel Assy, Duct Cover	S1-37327995002	S1-37327995002	S1-37327995002
96	8	Panel, Top	S1-07339378001	S1-07339378001	S1-07339378001
97	8	Hood, Rain, Flue (Vent Air Outlet)	S1-36393686001	S1-36393686001	S1-36393686001
98	8	Hood, Exhaust Cover	S1-07339391001	S1-07339391001	S1-07339391001
99	8	Grommet, 1-5/8" PVC	S1-02804859900	S1-02804859900	S1-02804859900
100	8	Plug, Plastic, 1-3/32 Inch (2 Req'd)	S1-02816466000	S1-02816466000	S1-02816466000
101	8	Plug, Seal 7/8 Inch (2 Req'd)	S1-02815853000	S1-02815853000	S1-02815853000

**NOTE:** \*Not Shown  
 New replacement parts shown in **bold** face type at the first printing of parts list dated 1/18.  
 Major components and suggested stocking items are shown with shaded item number.  
 "<" Across from row indicates a change in that row, changed part numbers in red.  
 --- Not applicable to specified model.



**Inner Sheet Metal and Components \_ Figure 9**

ITEM	FIG	DESCRIPTION	PCG6A240502X1A	PCG6A240752X1A	PCG6A300502X1A
<b>Inner Sheet Metal and Components</b>					
104	9	Block-off, Coil, Front	S1-07339414001	S1-07339414001	S1-07339414002
105	9	Base Pan Assy	S1-37327988002	S1-37327988002	S1-37327988002
106	9	Deck, Blower	S1-07339383006	S1-07339383006	S1-07339383006
107	9	Panel Assy, Compressor Barrier	S1-37339446001	S1-37339446001	S1-37339446001
108					
109	9	Panel, Coil Block-off	S1-07339388002	S1-07339388002	S1-07339388002
110	9	Panel Assembly, Mid	S1-37327993001	S1-37327993001	S1-37327993001
111	9	Block-off, Coil, Rear	S1-07339386003	S1-07339386003	S1-07339386003
112	9	Bracket, Blower Retainer (2 Req'd)	S1-07339386001	S1-07339386001	S1-07339386001
113					
114	9	Pan, Drain	S1-03200222000	S1-03200222000	S1-03200222000
115	9	Insert, Drain Pan	S1-02817076000	S1-02817076000	S1-02817076000
116	9	Grommet, .5" Dia (Utility Panel) (2 Req'd)	S1-02530823000	S1-02530823000	S1-02530823000
117	9	Plug, Plastic, 1-3/32 Inch (2 Req'd)	S1-02816466000	S1-02816466000	S1-02816466000
118	9	Plug, Seal 7/8 Inch (2 Req'd)	S1-02815853000	S1-02815853000	S1-02815853000
119	9	Grommet, 1-5/8"	S1-02814787000	S1-02814787000	S1-02814787000

ITEM	FIG	DESCRIPTION	PCG6A300752X1A	PCG6B360652X1A	
<b>Inner Sheet Metal and Components</b>					
104	9	Block-off, Coil, Front	S1-07339414002	S1-07339414002	
105	9	Base Pan Assy	S1-37327988002	S1-37327988001	
106	9	Deck, Blower	S1-07339383006	S1-07339383002	
107	9	Panel Assy, Compressor Barrier	S1-37339446001	S1-37339446001	
108					
109	9	Panel, Coil Block-off	S1-07339388002	S1-07339388001	
110	9	Panel Assembly, Mid	S1-37327993001	S1-37327993002	
111	9	Block-off, Coil, Rear	S1-07339386003	S1-07339386003	
112	9	Bracket, Blower Retainer (2 Req'd)	S1-07339386001	S1-07339386001	
113					
114	9	Pan, Drain	S1-03200222000	S1-03200223000	
115	9	Insert, Drain Pan	S1-02817076000	S1-02817076000	
116	9	Grommet, .5" Dia (Utility Panel) (2 Req'd)	S1-02530823000	S1-02530823000	
117	9	Plug, Plastic, 1-3/32 Inch (2 Req'd)	S1-02816466000	S1-02816466000	
118	9	Plug, Seal 7/8 Inch (2 Req'd)	S1-02815853000	S1-02815853000	
119	9	Grommet, 1-5/8"	S1-02814787000	S1-02814787000	

ITEM	FIG	DESCRIPTION	PCG6B361002X1A	PCG6B420652X1A	PCG6B421002X1A
<b>Inner Sheet Metal and Components</b>					
104	9	Block-off, Coil, Front	S1-07339414002	S1-07339414002	S1-07339414002
105	9	Base Pan Assy	S1-37327988001	S1-37327988001	S1-37327988001
106	9	Deck, Blower	S1-07339383002	S1-07339383002	S1-07339383002
107	9	Panel Assy, Compressor Barrier	S1-37339446001	S1-37339446001	S1-37339446001
108					
109	9	Panel, Coil Block-off	S1-07339388001	S1-07339388001	S1-07339388001
110	9	Panel Assembly, Mid	S1-37327993002	S1-37327993002	S1-37327993002
111	9	Block-off, Coil, Rear	S1-07339386003	S1-07339386003	S1-07339386003
112	9	Bracket, Blower Retainer (2 Req'd)	S1-07339386001	S1-07339386001	S1-07339386001
113					
114	9	Pan, Drain	S1-03200223000	S1-03200223000	S1-03200223000
115	9	Insert, Drain Pan	S1-02817076000	S1-02817076000	S1-02817076000
116	9	Grommet, .5" Dia. (Utility Panel) (2 Req'd)	S1-02530823000	S1-02530823000	S1-02530823000
117	9	Plug, Plastic, 1-3/32 Inch (2 Req'd)	S1-02816466000	S1-02816466000	S1-02816466000
118	9	Plug, Seal 7/8 Inch (2 Req'd)	S1-02815853000	S1-02815853000	S1-02815853000
119	9	Grommet, 1-5/8"	S1-02814787000	S1-02814787000	S1-02814787000

**NOTE:** \*Not ShownNew replacement parts shown in **bold** face type at the first printing of parts list dated 1/18.

Major components and suggested stocking items are shown with shaded item number.

"←" Across from row indicates a change in that row, changed part numbers in red.

--- Not applicable to specified model.

ITEM	FIG	DESCRIPTION	PCG6B480652X1A	PCG6B481002X1A	PCG6B481252X1A
<b>Inner Sheet Metal and Components</b>					
104	9	Block-off, Coil, Front	S1-07339414002	S1-07339414002	S1-07339414002
105	9	Base Pan Assy	S1-37327988001	S1-37327988001	S1-37327988001
106	9	Deck, Blower	S1-07339383002	S1-07339383002	S1-07339383002
107	9	Panel Assy, Compressor Barrier	S1-37339446001	S1-37339446001	S1-37339446001
108					
109	9	Panel, Coil Block-off	S1-07339388001	S1-07339388001	S1-07339388001
110	9	Panel Assembly, Mid	S1-37327993002	S1-37327993002	S1-37327993002
111	9	Block-off, Coil, Rear	S1-07339386003	S1-07339386003	S1-07339386003
112	9	Bracket, Blower Retainer (2 Req'd)	S1-07339386001	S1-07339386001	S1-07339386001
113					
114	9	Pan, Drain	S1-03200223000	S1-03200223000	S1-03200223000
115	9	Insert, Drain Pan	S1-02817076000	S1-02817076000	S1-02817076000
116	9	Grommet, .5" Dia (Utility Panel) (2 Req'd)	S1-02530823000	S1-02530823000	S1-02530823000
117	9	Plug, Plastic, 1-3/32 Inch (2 Req'd)	S1-02816466000	S1-02816466000	S1-02816466000
118	9	Plug, Seal 7/8 Inch (2 Req'd)	S1-02815853000	S1-02815853000	S1-02815853000
119	9	Grommet, 1-5/8"	S1-02814787000	S1-02814787000	S1-02814787000

ITEM	FIG	DESCRIPTION	PCG6B600652X1A	PCG6B601002X1A	PCG6B601252X1A
<b>Inner Sheet Metal and Components</b>					
104	9	Block-off, Coil, Front	S1-07339414002	S1-07339414002	S1-07339414002
105	9	Base Pan Assy	S1-37327988001	S1-37327988001	S1-37327988001
106	9	Deck, Blower	S1-07339383002	S1-07339383002	S1-07339383002
107	9	Panel Assy, Compressor Barrier	S1-37339446001	S1-37339446001	S1-37339446001
108					
109	9	Panel, Coil Block-off	S1-07339388001	S1-07339388001	S1-07339388001
110	9	Panel Assembly, Mid	S1-37327993002	S1-37327993002	S1-37327993002
111	9	Block-off, Coil, Rear	S1-07339386003	S1-07339386003	S1-07339386003
112	9	Bracket, Blower Retainer (2 Req'd)	S1-07339386001	S1-07339386001	S1-07339386001
113					
114	9	Pan, Drain	S1-03200223000	S1-03200223000	S1-03200223000
115	9	Insert, Drain Pan	S1-02817076000	S1-02817076000	S1-02817076000
116	9	Grommet, .5" Dia (Utility Panel) (2 Req'd)	S1-02530823000	S1-02530823000	S1-02530823000
117	9	Plug, Plastic, 1-3/32 Inch (2 Req'd)	S1-02816466000	S1-02816466000	S1-02816466000
118	9	Plug, Seal 7/8 Inch (2 Req'd)	S1-02815853000	S1-02815853000	S1-02815853000
119	9	Grommet, 1-5/8"	S1-02814787000	S1-02814787000	S1-02814787000

**NOTE:** \*Not Shown  
 New replacement parts shown in **bold** face type at the first printing of parts list dated 1/18.  
 Major components and suggested stocking items are shown with shaded item number.  
 "<" Across from row indicates a change in that row, changed part numbers in red.  
 --- Not applicable to specified model.



ITEM	FIG	DESCRIPTION	ALL MODELS
<b>Misc.</b>			
125	*	Badge, Branding	<b>Consult S1 Acct Rep</b>
126	*	Strap, Cable	S1-02527642000
127	*	Tubing,0.125 ID, Silicone	S1-02811957000

**NOTE:** \*Not Shown  
 New replacement parts shown in **bold** face type at the first printing of parts list dated 1/18.  
 Major components and suggested stocking items are shown with shaded item number.  
 "<" Across from row indicates a change in that row, changed part numbers in red.  
 --- Not applicable to specified model.



**TO ORDER AUTHORIZED FACTORY REPLACEMENT PARTS** - Contact your Source1 HVAC Parts Distributor or visit our website at [www.Source1Parts.com](http://www.Source1Parts.com) for a Distributor and Dealer listing.

Subject to change without notice. Published in U.S.A.  
 Copyright © 2018 by Johnson Controls, Inc. All rights reserved.

035-24611-001 Rev. D (0118)  
 Supersedes: 035-24611-001 Rev. C (1116)

**York International Corp.**  
**5005 York Drive**  
**Norman, OK 73069**