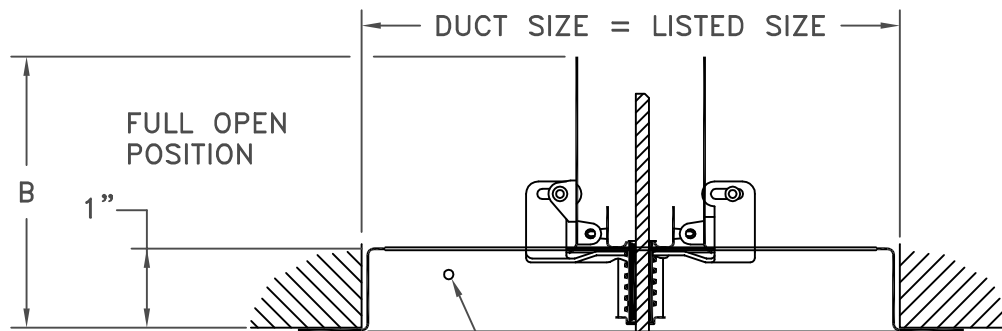
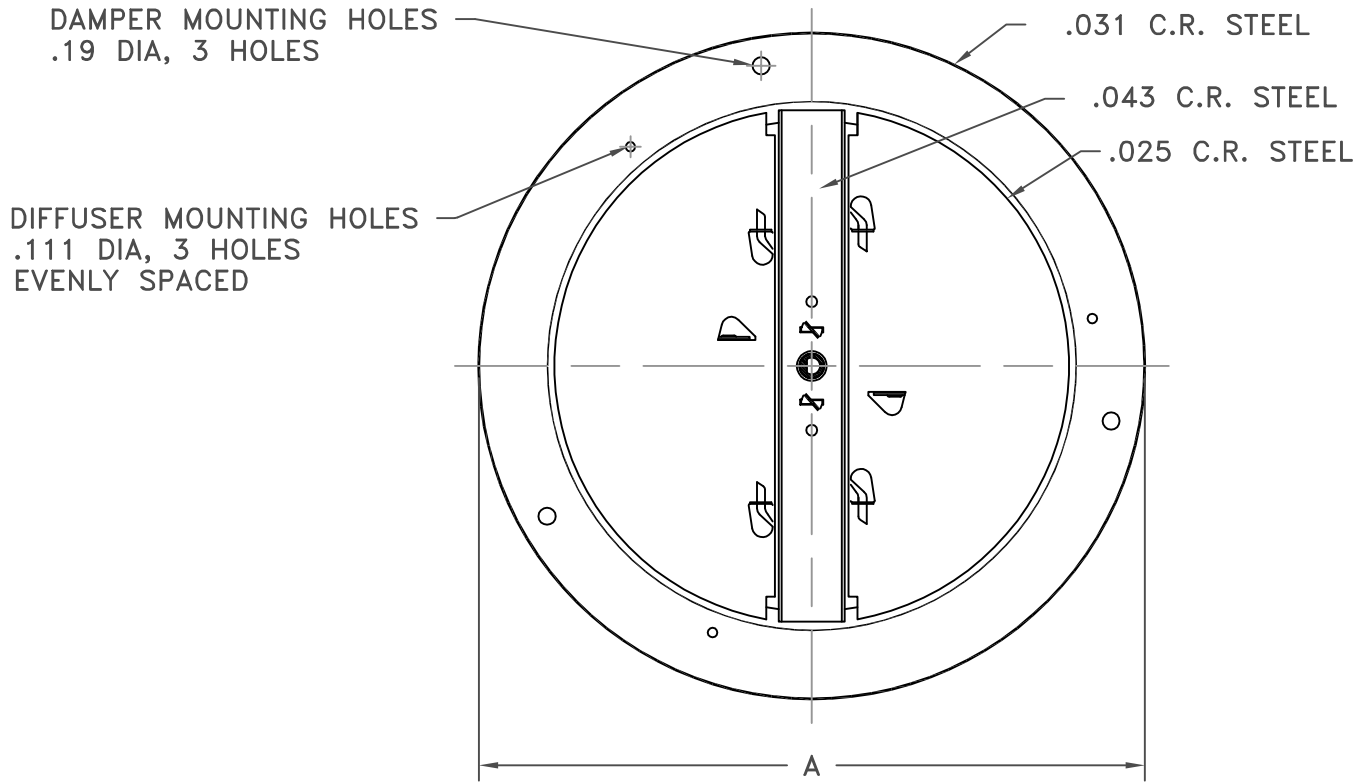


- ALL STEEL CONSTRUCTION
- DAMPER CONTROLS AIR EVENLY OVER ENTIRE DIFFUSER
- FINISH: GOLDEN SAND (GS) ENAMEL FINISH



REMOVABLE CONTROL KNOB

DUCT MOUNTING HOLE

SIZE	A	B
6	7-1/2	3-11/16
8	9-1/2	4-11/16
10	10-7/8	5-11/16
12	12-7/8	6-11/16
14	14-7/8	7-11/16
18	18-13/16	9-11/16

JOB NAME: \_\_\_\_\_

LOCATION: \_\_\_\_\_

ARCHITECT: \_\_\_\_\_

ENGINEER: \_\_\_\_\_

CONTRACTOR: \_\_\_\_\_

SUBMITTED BY: \_\_\_\_\_

DATE: 1/11/99

SD-2201

**NO. 12**  
Butterfly Damper