

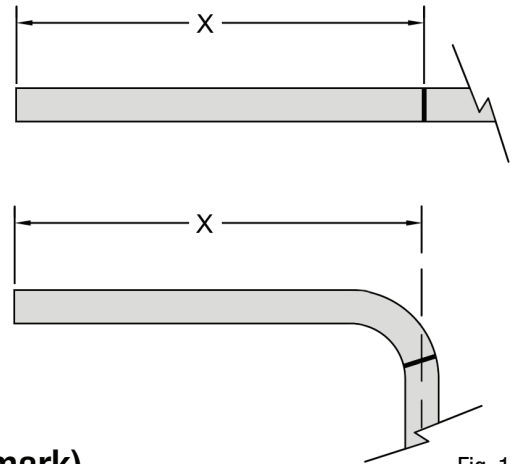
# 3-in-1 Bender

1/4", 5/16" & 3/8" O.D. Tubing



## Measured 90° Bends

These steps will ensure that the centerline of the bent tube aligns with your measurement (Fig. 1).



### Three Easy Steps:

1. Measure and place a mark on the tubing (bend mark)
2. Raise roll die handle and insert tube. Align the long line on the roll die with the Zero mark on the form die.
  - If the measured portion of your tube is to the right of the roll die, slide the tube so the bend mark lines up with the "R" (Fig. 2).
  - If the measured portion of the tube is to the left of the roll die, slide the tube so the bend mark lines up with the "L" (Fig. 3).
3. Pull the roll die handle until the long line lines up with 90 degrees.

