

**Submission Data: 24RLXFZH**  
**Inverter Driven Heat Pump**

**24,000 BTU Multi Zone System**

Job Name: \_\_\_\_\_

Date: \_\_\_\_\_

Location: \_\_\_\_\_

Approval: \_\_\_\_\_

Engineer: \_\_\_\_\_

Construction: \_\_\_\_\_

Submitted to: \_\_\_\_\_

Unit #: \_\_\_\_\_

Submitted by: \_\_\_\_\_

Drawing #: \_\_\_\_\_

Reference: \_\_\_\_\_

**General Features**

- Wired or wireless remote
- Apple catechin filter
- Ion deodorizing filter
- Auto louver: up/down
- Auto louver: 4-way
- Low ambient cooling
- Cold prevention
- Blue fin coating
- Standard Warranty: 5 years parts, 7 years compressor. Applies to systems purchased before June 1<sup>st</sup> 2015\*
- Extended Warranty: 10 years parts, 10 years compressor. Systems that have been installed on or after June 1<sup>st</sup> 2015 by licensed contractors and the online Product Registration has been submitted.\*\*
- Elite Contractor Extended Warranty: 12 years parts, 12 years compressor. Systems that have been installed on or after June 1<sup>st</sup> 2015 by contractors who have met requirements and have been approved for elite contractor status plus, the online Product Registration has been submitted.\*\*\*

**Model Information**

Condenser..... AOU24RLXFZH  
 Evaporator..... (ASU) / (ARU) / (AGU) / (AUU) 7,9,12RLF(1)  
 Connectable indoor units..... 2 - 3  
 Total capacity range..... 14,000 – 27,000 Btu/h

**Electrical**..... 208/230V AC 1ph-60Hz  
 Available Voltage Range..... 208/230 +/- 10%  
 Minimum Circuit Ampacity..... 25.1 A  
 Max Fuse Size..... 30 A  
 Max Starting Current..... 8.3 A

**Input Power**

Cooling..... (non-duct) 1.65 kW / (ducted) 1.81 kW / (mix) 1.74 kW  
 Heating..... (non-duct) 1.81 kW / (ducted) 1.89 kW / (mix) 1.85 kW

**Current**

Cooling..... (non-duct) 7.2 A / (ducted) 7.9 A / (mix) 7.6 A  
 Heating..... (non-duct) 7.9 A / (ducted) 8.3 A / (mix) 8.1 A

**Capacity**

Nominal Cooling..... 22,000 Btu/h  
 Min-Max Cooling..... 6,100 – 27,000 Btu/h  
 Nominal Heating..... 25,000 Btu/h  
 Min-Max Heating..... 6,800 – 29,800 Btu/h

**Compressor**

Motor Output..... Rotary (inv x1)  
 Motor Output..... 2,100 W  
 Refrigerant..... R410a  
 Charge..... 4 lbs. 14 oz  
 Oil..... RB68

**Fan Motor**

(Condenser) Type: DC ..... Propeller x1  
 (Condenser) Motor Output..... 100 W  
 (Evaporator) Type: DC..... (wall-mount) Cross flow  
 (compact cassette) Turbo  
 (ducted) Sirocco x2 (18 k x3)  
 (floor) Cross flow x2

(Evaporator) Motor Output..... (wall) 30W-42W (compact cassette) 54W (ducted) 80-81W  
 (floor) 16W

**Heat Exchanger**

Dimensions  
 (H x W x D) in. (mm)..... 31-7/16 x 35-7/16 x 1-7/16 (798x900x36.38)  
 Fin Pitch..... 20 FPI  
 Rows x Stages..... 2 x 38  
 Pipe Type (Material)..... Copper  
 Fin Type (Material)..... Aluminum (Blue fin)



**Operation Temperature Range**

Cooling..... 14°F - 115°F (-10°C - 46°C)  
 Heating..... -15°F - 75°F (-26°C - 24°C)

**Efficiency**

SEER<sup>AA</sup>..... (wall-mount) 20 (duct) 18 (mix) 19  
 EER (cooling)..... (wall-mount) 13.3 Btu/W (duct) 12.1 Btu/W (mix) 12.7 Btu/W  
 COP (heating)..... (wall-mount) 4.04 W/W (duct) 3.87 W/W (mix) 3.96 W/W  
 HSPF (heating)..... (wall-mount) 10.3 (duct) 9 (mix) 9.7

**Enclosure (Condenser)**

Material..... Painted galvanized steel  
 Color..... Beige (10 YR 7.5/1.0 NN)

**Sound Pressure Level**

Condenser..... 52 dB(A)

**Dimensions**

H x W x D  
 Condenser  
 Net in. (mm)..... 32-11/16 x 35-7/16 x 13 (830x900x330)  
 Gross in. (mm)..... 38-3/16 x 41-5/16 x 17-1/2 (970x1,050x445)

**Connection Pipe**

Liquid..... 1/4" x3  
 Gas..... 3/8" x2 + 1/2" x1  
 Method (Liquid/Gas)..... Brazing  
 Max Length (Pre-charge)..... 229ft. (70m) / (98 ft. {30m})  
 Max Height Difference..... 49 ft. (15m)

**Weight**

Condenser..... 146 lbs. (66 kg)  
 Evaporators..... (wall-mount) 19 lbs. - 31 lbs.  
 (compact cassette) 33 lbs.  
 (ducted) 37 lbs. - 49 lbs.  
 (floor) 31 lbs.

**Accessories**

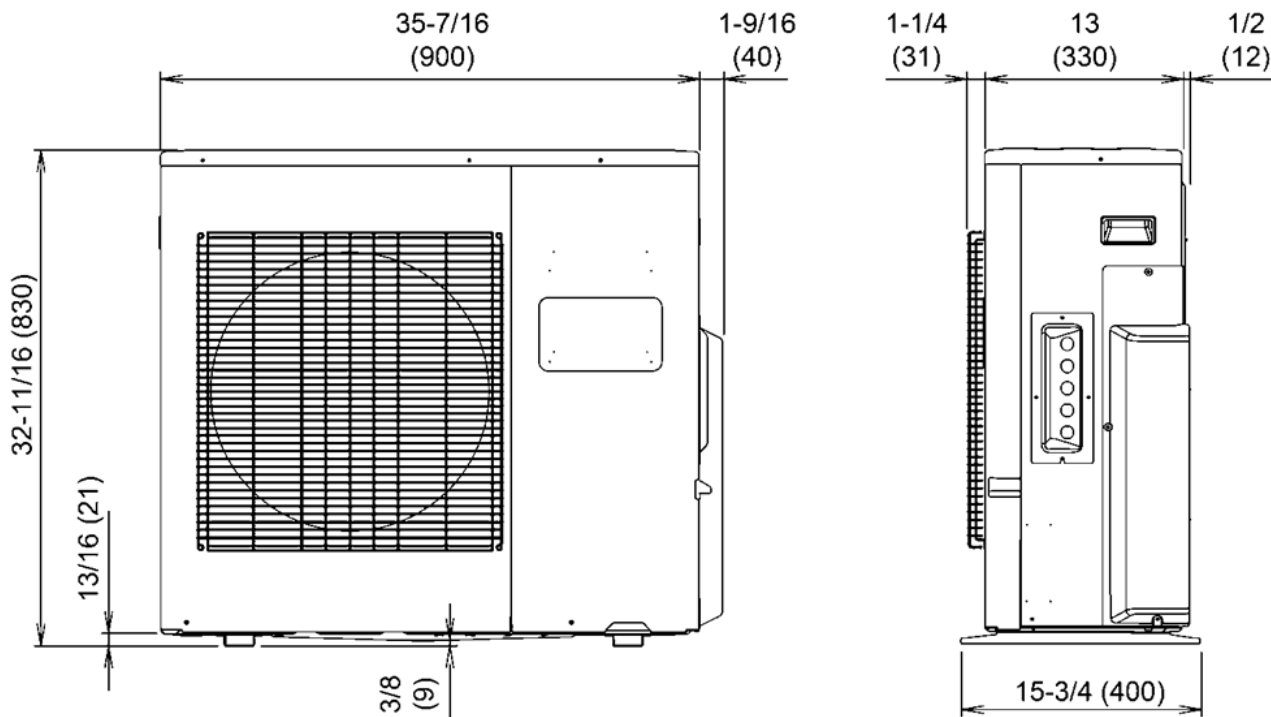
Wired Remote Controller..... UTY-RVNUM  
 Wired Remote Controller..... UTY-RNNUM  
 Simple Remote Controller..... UTY-RSNUM

\*Reference brochure for approved combinations. \*\*Test conditions are based on AHRI 210/240. Note: Specifications are based on the following conditions: Cooling: Indoor temperature of 80°F (26.7°C) DB/67°F (19.44°C) WB, and outdoor temperature of 95°F (35°C) DB/75°F (23.9°C) WB. Heating: Indoor temperature of 70°F (21.1°C) DB/59°F (15.°C) WB, and outdoor temperature of 47°F (8.33°C) DB/43°F (6.11°C) WB. Pipe length: 24ft. 7in. (7.5m), Height difference: 0ft. (0m) (Outdoor unit - indoor unit) (\*\*Standard warranty/\*\*10 year warranty/\*\*12 year warranty)



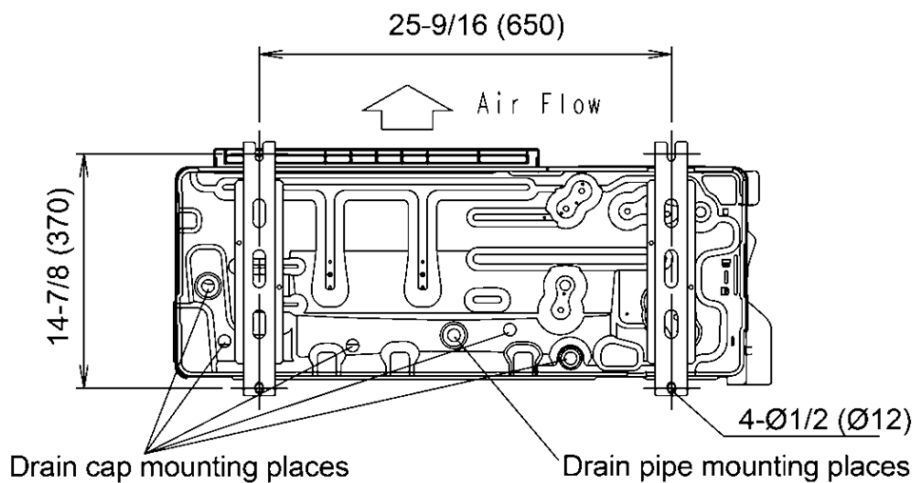
## Dimensions: 24RLXFZH

[Unit: in. (mm)]



Front view

Side view



Bottom view