



www.Source1Parts.com

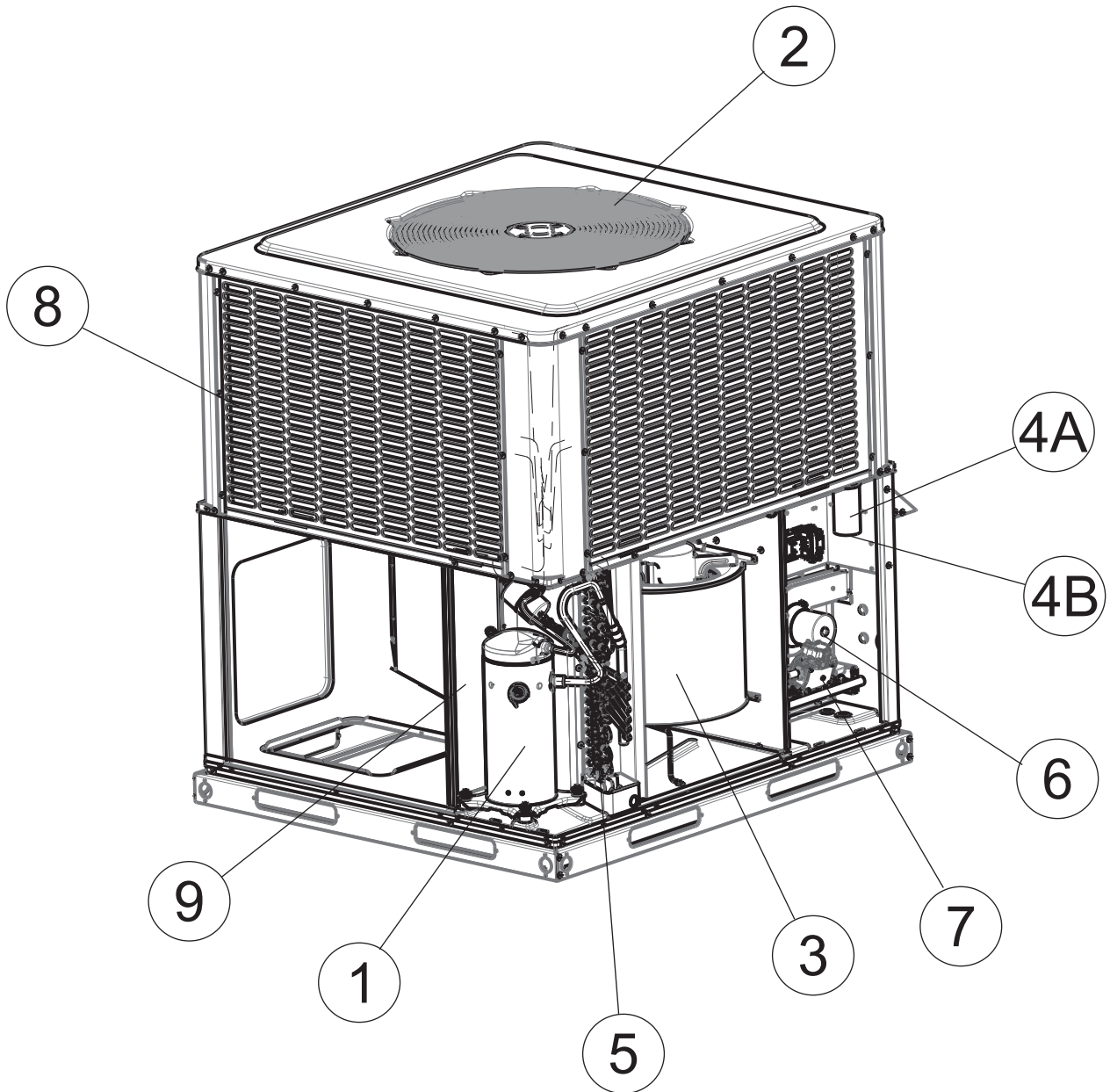
**PCG4 SERIES - 14 SEER
SINGLE PACKAGED GAS/ELECTRIC
AIR CONDITIONER (R-410A, STYLE A)**

HVAC SERVICE PARTS

Supersedes:035-24185-001 Rev. M (1216)

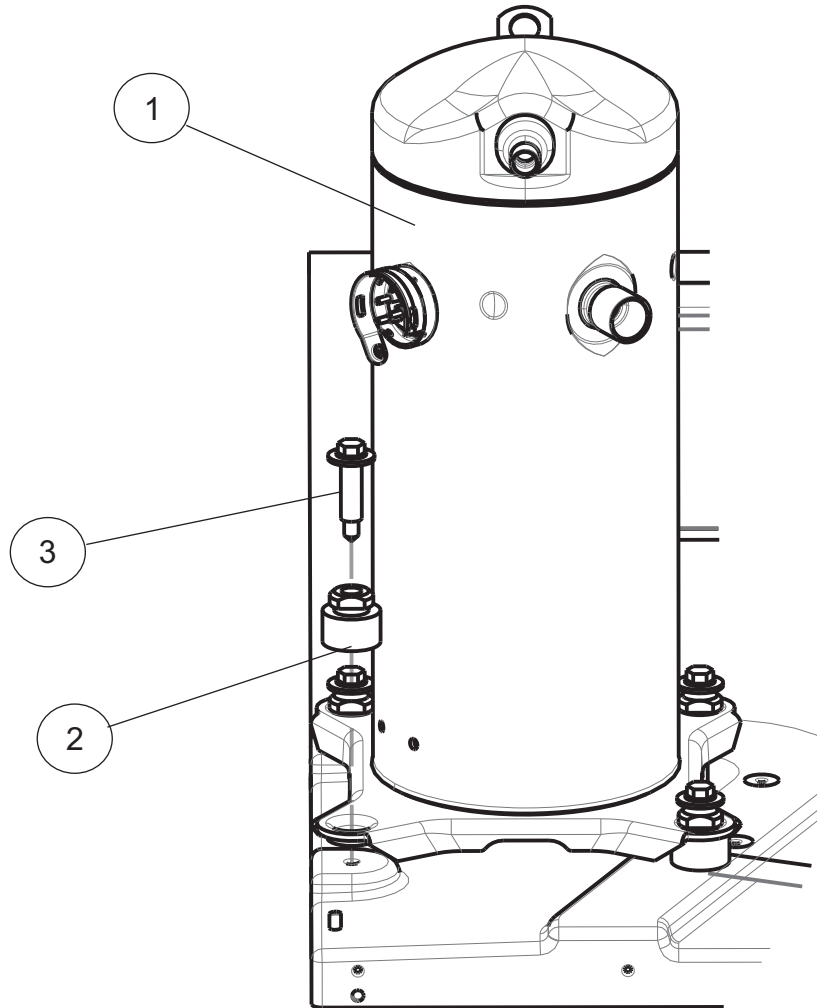
035-24185-001 Rev. N (0717)

1 of 24



Gas/Electric Air Conditioner Residential Packaged _Top Level

Section	Description	Pages
1	Compressor Assembly	2,3
2	Fan Assembly	3,4
3	Indoor Blower Assembly	5,6
4A	Electric Box Assembly with Hard Start	7,8
4B	Electric Box Assembly without Hard Start	8,9
5	Condenser, Evaporator Coil Assembly	10,11
6	Heat Section	12,13,14
7	Burner Assembly	14,15,16
8	Outside Sheet Metal Parts	17,18,19
9	Inside Sheet Metal Parts	20,21, 22
10	Misc.	23



Compressor Section _ Figure 1

ITEM	FIG	DESCRIPTION	PCG4A240502X1A	PCG4A240752X1A	PCG4A300502X1A
Compressors					
1	1	Compressor	S1-01504631007	S1-01504631007	S1-01504632007
2	1	Cushion Mount	S1-02809519000	S1-02809519000	S1-02809519000
3	1	Bolt, Compressor	S1-02117116000	S1-02117116000	S1-02117116000
4	*	Harness, Compressor	S1-02531885000	S1-02531885000	S1-02531885000

ITEM	FIG	DESCRIPTION	PCG4A300752X1A	PCG4A360502X1A	PCG4A360752X1A
Compressors					
1	1	Compressor	S1-01504632007	S1-01504633007	S1-01504633007
2	1	Cushion Mount	S1-02809519000	S1-02809519000	S1-02809519000
3	1	Bolt, Compressor	S1-02117116000	S1-02117116000	S1-02117116000
4	*	Harness, Compressor	S1-02531885000	S1-02531885000	S1-02531885000

NOTE: *Not Shown
 New replacement parts shown in **bold** face type at the first printing of parts list dated 7/17.
 Major components and suggested stocking items are shown with shaded item number.
 "<" Across from row indicates a change in that row, changed part numbers in red.
 --- Not applicable to specified model.

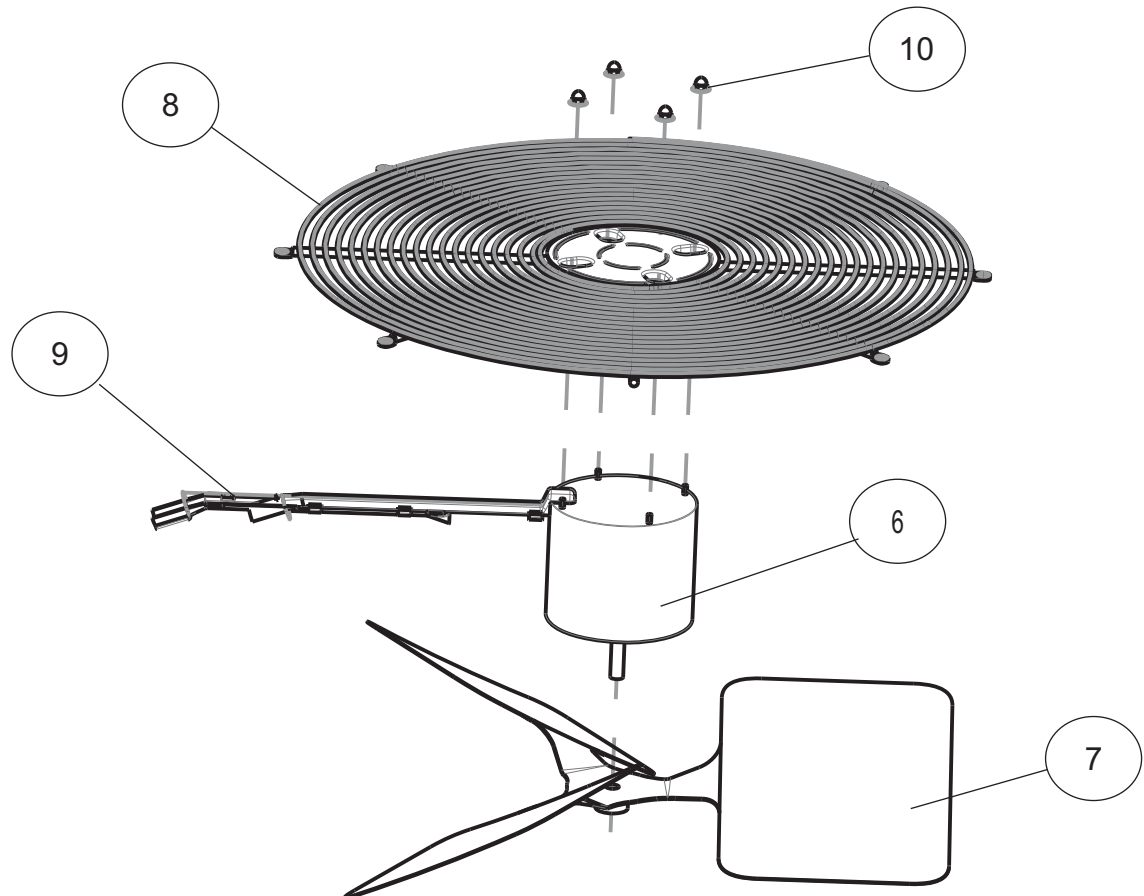


ITEM	FIG	DESCRIPTION	PCG4A361002X1A	PCG4A420752X1A	PCG4A421002X1A
Compressors					
1	1	Compressor	S1-01504633007	S1-01504639004	S1-01504639004
2	1	Cushion Mount	S1-02809519000	S1-02809519000	S1-02809519000
3	1	Bolt, Compressor	S1-02117116000	S1-02117116000	S1-02117116000
4	*	Harness, Compressor	S1-02531885000	S1-02547242000	S1-02547242000

ITEM	FIG	DESCRIPTION	PCG4B480652X1A	PCG4B481002X1A	PCG4B481252X1A
Compressors					
1	1	Compressor	S1-01504291004	S1-01504291004	S1-01504291004
2	1	Cushion Mount	S1-02809519000	S1-02809519000	S1-02809519000
3	1	Bolt, Compressor	S1-02117116000	S1-02117116000	S1-02117116000
4	*	Harness, Compressor	S1-02547242000	S1-02547242000	S1-02547242000

ITEM	FIG	DESCRIPTION	PCG4B600652X1A	PCG4B601002X1A	PCG4B601252X1A
Compressors					
1	1	Compressor	S1-01504615004	S1-01504615004	S1-01504615004
2	1	Cushion Mount	S1-02809519000	S1-02809519000	S1-02809519000
3	1	Bolt, Compressor	S1-02117116000	S1-02117116000	S1-02117116000
4	*	Harness, Compressor	S1-02547242000	S1-02547242000	S1-02547242000

NOTE: *Not Shown
 New replacement parts shown in **bold** face type at the first printing of parts list dated 7/17.
 Major components and suggested stocking items are shown with shaded item number.
 "<" Across from row indicates a change in that row, changed part numbers in red.
 --- Not applicable to specified model.



Fan Assembly _ Figure 2

ITEM	FIG	DESCRIPTION	PCG4A240502X1A	PCG4A240752X1A	PCG4A300502X1A
Condenser Fan Motor & Air Moving Components....FAN MOTOR/FAN BLADE PAIRING MUST BE MAINTAINED BY MANUFACTURING DATE.					
6	2	Motor, Fan (Built on/B4 4/3/2016)	S1-02436215000	S1-02436215000	---
		Motor, Fan (Built on/after 4/4/2016)	S1-02436231000	S1-02436231000	---
		Motor, Fan (Built 8/30/16 or before)	---	---	S1-02436215000
		Motor, Fan (Built 8/31/16 or after)	---	---	S1-02439545000
7	2	Blade, Fan (Built on/B4 4/3/2016)	S1-02647883000	S1-02647883000	---
		Blade, Fan (Built on/after 4/4/2016)	S1-02635436000	S1-02635436000	---
		Blade, Fan (Built 8/30/16 or before)	---	---	S1-02642434000
		Blade, Fan (Built 8/31/16 or after)	---	---	S1-02635436000
8	2	Guard, Fan	S1-02647770000	S1-02647770000	S1-02647770000
9	2	Wireway	S1-02816469000	S1-02816469000	S1-02816469000
10	2	Kit, Acorn Nut	S1-36390117700	S1-36390117700	S1-36390117700

ITEM	FIG	DESCRIPTION	PCG4A300752X1A	PCG4A360502X1A	PCG4A360752X1A
Condenser Fan Motor & Air Moving Components....FAN MOTOR/FAN BLADE PAIRING MUST BE MAINTAINED BY MANUFACTURING DATE.					
6	2	Motor, Fan	---	S1-02436215000	S1-02436215000
		Motor, Fan (Built 8/30/16 or before)	S1-02436215000	---	---
		Motor, Fan (Built 8/31/16 or after)	S1-02439545000	---	---
7	2	Blade, Fan	---	S1-02642434000	S1-02642434000
		Blade, Fan (Built 8/30/16 or before)	S1-02642434000	---	---
		Blade, Fan (Built 8/31/16 or after)	S1-02635436000	---	---
8	2	Guard, Fan	S1-02647770000	S1-02647770000	S1-02647770000
9	2	Wireway	S1-02816469000	S1-02816469000	S1-02816469000
10	2	Kit, Acorn Nut	S1-36390117700	S1-36390117700	S1-36390117700

ITEM	FIG	DESCRIPTION	PCG4A361002X1A	PCG4A420752X1A	PCG4A421002X1A
Condenser Fan Motor & Air Moving Components					
6	2	Motor, Fan	S1-02436215000	S1-02436215000	S1-02436215000
7	2	Blade, Fan	S1-02642434000	S1-02642434000	S1-02642434000
8	2	Guard, Fan	S1-02647770000	S1-02647770000	S1-02647770000
9	2	Wireway	S1-02816469000	S1-02816469000	S1-02816469000
10	2	Kit, Acorn Nut	S1-36390117700	S1-36390117700	S1-36390117700

ITEM	FIG	DESCRIPTION	PCG4B480652X1A	PCG4B481002X1A	PCG4B481252X1A
Condenser Fan Motor & Air Moving Components					
6	2	Motor, Fan	S1-02436216000	S1-02436216000	S1-02436216000
7	2	Blade, Fan	S1-02647782000	S1-02647782000	S1-02647782000
8	2	Guard, Fan	S1-02647771000	S1-02647771000	S1-02647771000
9	2	Wireway	S1-02816470000	S1-02816470000	S1-02816470000
10	2	Kit, Acorn Nut	S1-36390117700	S1-36390117700	S1-36390117700

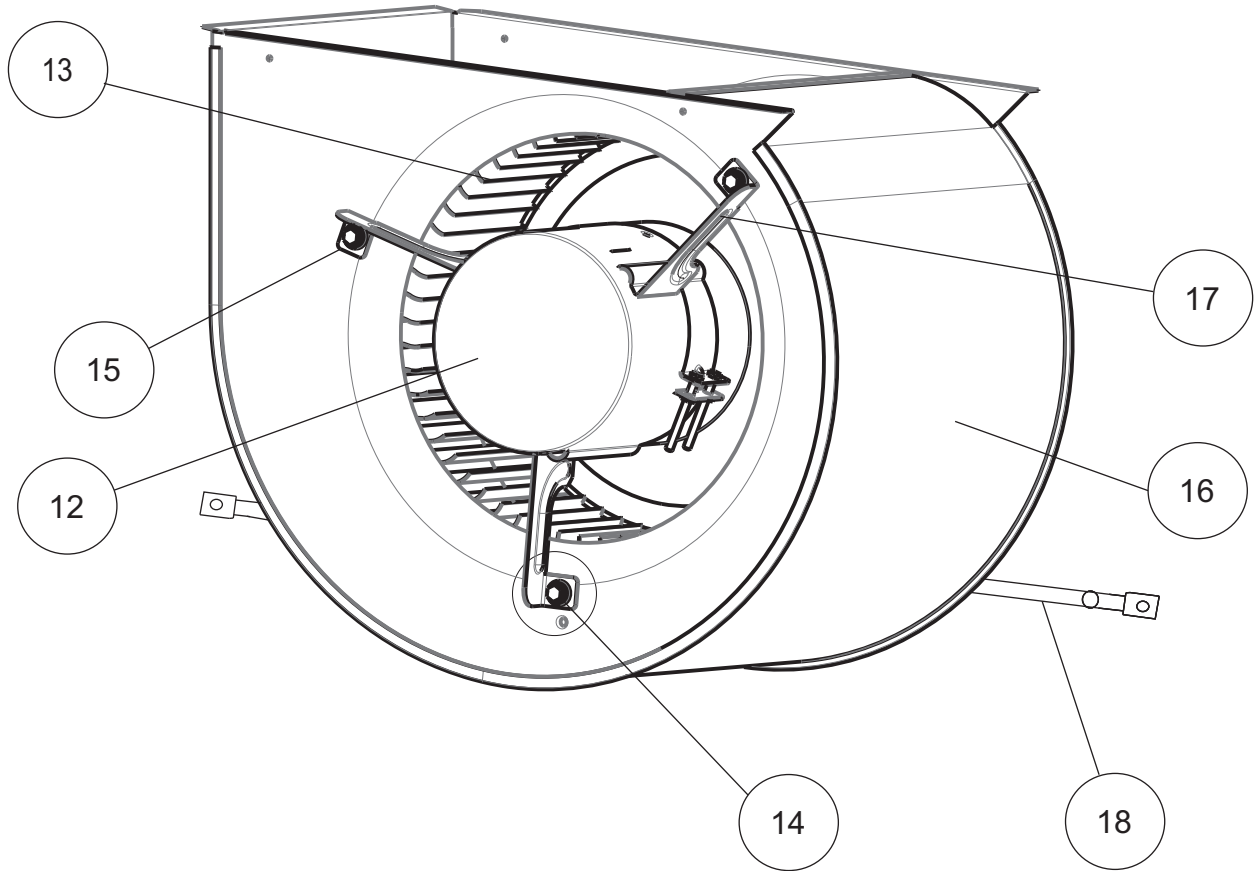
ITEM	FIG	DESCRIPTION	PCG4B600652X1A	PCG4B601002X1A	PCG4B601252X1A
Condenser Fan Motor & Air Moving Components					
6	2	Motor, Fan	S1-02436216000	S1-02436216000	S1-02436216000
7	2	Blade, Fan	S1-02647782000	S1-02647782000	S1-02647782000
8	2	Guard, Fan	S1-02647771000	S1-02647771000	S1-02647771000
9	2	Wireway	S1-02816470000	S1-02816470000	S1-02816470000
10	2	Kit, Acorn Nut	S1-36390117700	S1-36390117700	S1-36390117700

NOTE: *Not ShownNew replacement parts shown in **bold** face type at the first printing of parts list dated 7/17.

Major components and suggested stocking items are shown with shaded item number.

"←" Across from row indicates a change in that row, changed part numbers in red.

--- Not applicable to specified model.



Indoor Blower Section _ Figure 3

ITEM	FIG	DESCRIPTION	PCG4A240502X1A	PCG4A240752X1A	PCG4A300502X1A
Indoor Blower Motor & Air Moving Components					
12	3	Motor, Blower, Programmed	S1-32436220453	S1-32436221454	S1-32436220455
13	3	Wheel, Blower	S1-02647766000	S1-02647766000	S1-02647766000
14	3	Grommet, Motor Mount (3 Req'd)	S1-02814740000	S1-02814740000	S1-02814740000
15	3	Ferrule, Motor Mount (3 Req'd)	S1-02320541000	S1-02320541000	S1-02320541000
16	3	Housing, Blower	S1-37327996001	S1-37327996001	S1-37327996001
17	3	Assembly, Motor Mount	S1-37319831002	S1-37319831002	S1-37319831002
18	3	Support, Blower	S1-02647773000	S1-02647773000	S1-02647773000

ITEM	FIG	DESCRIPTION	PCG4A300752X1A	PCG4A360502X1A	PCG4A360752X1A
Indoor Blower Motor & Air Moving Components					
12	3	Motor, Blower, Programmed	S1-32436221456	S1-32436221457	S1-32436221458
13	3	Wheel, Blower	S1-02647766000	S1-02647767000	S1-02647767000
14	3	Grommet, Motor Mount (3 Req'd)	S1-02814740000	S1-02814740000	S1-02814740000
15	3	Ferrule, Motor Mount (3 Req'd)	S1-02320541000	S1-02320541000	S1-02320541000
16	3	Housing, Blower	S1-37327996001	S1-37327996002	S1-37327996002
17	3	Assembly, Motor Mount	S1-37319831002	S1-37319831002	S1-37319831002
18	3	Support, Blower	S1-02647773000	S1-02647774000	S1-02647774000

NOTE: *Not Shown
 New replacement parts shown in **bold** face type at the first printing of parts list dated 7/17.
 Major components and suggested stocking items are shown with shaded item number.
 "<" Across from row indicates a change in that row, changed part numbers in red.
 --- Not applicable to specified model.



ITEM	FIG	DESCRIPTION	PCG4A361002X1A	PCG4A420752X1A	PCG4A421002X1A
Indoor Blower Motor & Air Moving Components					
12	3	Motor, Blower, Programmed	S1-32436222459	S1-32436222460	S1-32436222461
13	3	Wheel, Blower	S1-02647767000	S1-02647767000	S1-02647767000
14	3	Grommet, Motor Mount (3 Req'd)	S1-02814740000	S1-02814740000	S1-02814740000
15	3	Ferrule, Motor Mount (3 Req'd)	S1-02320541000	S1-02320541000	S1-02320541000
16	3	Housing, Blower	S1-37327996002	S1-37327996002	S1-37327996002
17	3	Assembly, Motor Mount	S1-37319831002	S1-37319831002	S1-37319831002
18	3	Support, Blower	S1-02647774000	S1-02647774000	S1-02647774000

ITEM	FIG	DESCRIPTION	PCG4B480652X1A	PCG4B481002X1A	PCG4B481252X1A
Indoor Blower Motor & Air Moving Components					
12	3	Motor, Blower, Programmed	S1-32436222462	S1-32436222463	S1-32436222464
13	3	Wheel, Blower	S1-02647767000	S1-02647767000	S1-02647767000
14	3	Grommet, Motor Mount (3 Req'd)	S1-02814740000	S1-02814740000	S1-02814740000
15	3	Ferrule, Motor Mount (3 Req'd)	S1-02320541000	S1-02320541000	S1-02320541000
16	3	Housing, Blower	S1-37327996002	S1-37327996002	S1-37327996002
17	3	Assembly, Motor Mount	S1-37319831002	S1-37319831002	S1-37319831002
18	3	Support, Blower	S1-02647774000	S1-02647774000	S1-02647774000

ITEM	FIG	DESCRIPTION	PCG4B600652X1A	PCG4B601002X1A	PCG4B601252X1A
Indoor Blower Motor & Air Moving Components					
12	3	Motor, Blower, Programmed	S1-32436223465	S1-32436223466	S1-32436223467
13	3	Wheel, Blower	S1-02647767000	S1-02647767000	S1-02647767000
14	3	Grommet, Motor Mount (3 Req'd)	S1-02814740000	S1-02814740000	S1-02814740000
15	3	Ferrule, Motor Mount (3 Req'd)	S1-02320541000	S1-02320541000	S1-02320541000
16	3	Housing, Blower	S1-37327996002	S1-37327996002	S1-37327996002
17	3	Assembly, Motor Mount	S1-37319831002	S1-37319831002	S1-37319831002
18	3	Support, Blower	S1-02647774000	S1-02647774000	S1-02647774000

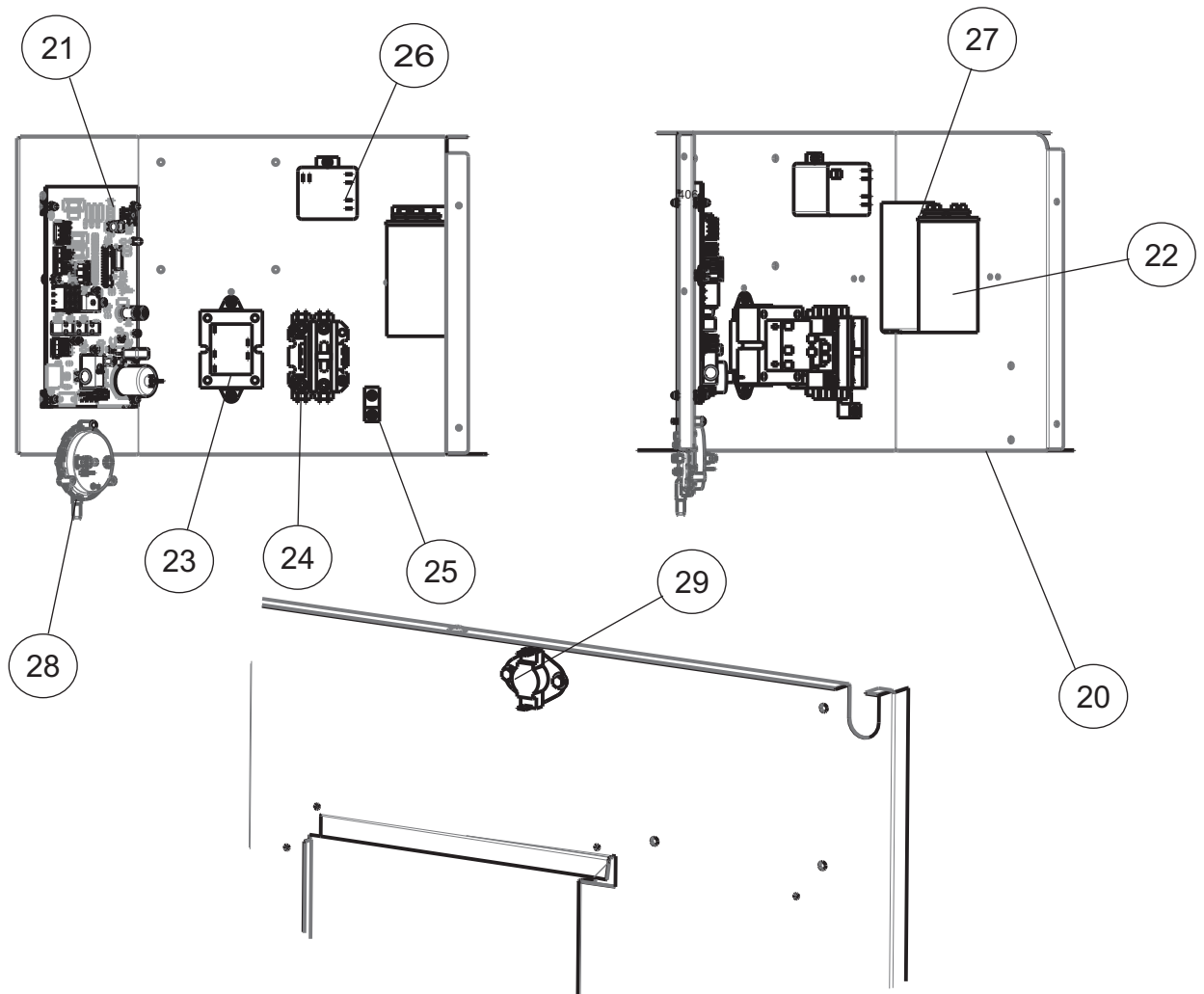
NOTE: *Not ShownNew replacement parts shown in **bold** face type at the first printing of parts list dated 7/17.

Major components and suggested stocking items are shown with shaded item number.

"←" Across from row indicates a change in that row, changed part numbers in red.

--- Not applicable to specified model.





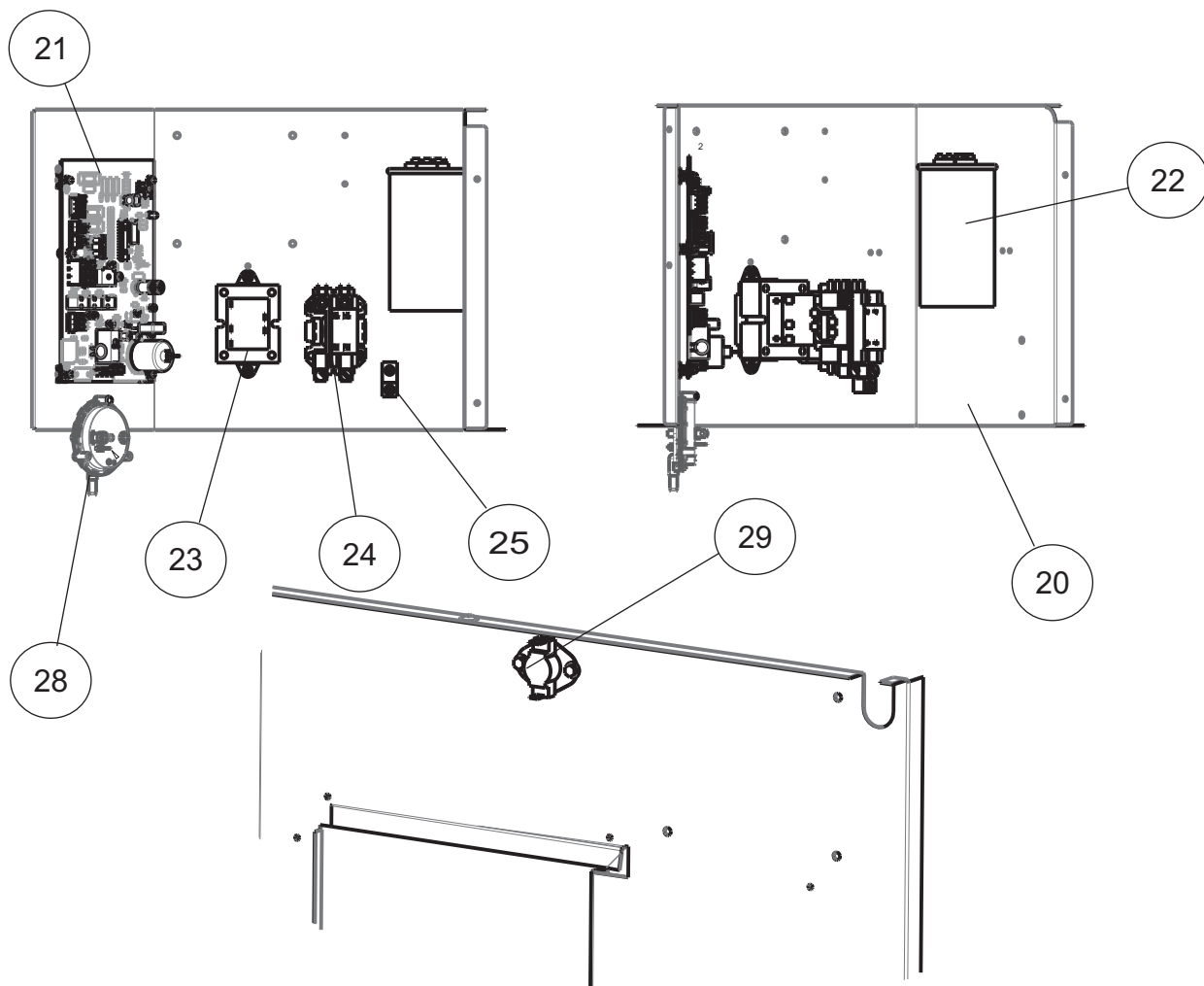
Electric Box _ Section 4A

ITEM	FIG	DESCRIPTION	PCG4A240502X1A	PCG4A240752X1A	PCG4A300502X1A
Electric Box					
20	4A	Panel, Control, Gas	S1-07339389001	S1-07339389001	S1-07339389001
21	4A	Board, Control	S1-03103482000	S1-03103482000	S1-03103482000
22	4A	Capacitor, Dual Run	S1-02423998700	S1-02423998700	S1-02425893700
23	4A	Transformer	S1-02518452700	S1-02518452700	S1-02518452700
24	4A	Contactor	S1-02427531000	S1-02427531000	S1-02427531000
25	4A	Lug, Electrical	S1-02521798000	S1-02521798000	S1-02521798000
26	4A	Relay, Start	S1-02425391700	S1-02425391700	S1-02425060000
27	4A	Capacitor, Start	S1-02431993000	S1-02431993000	S1-02431993000
28	4A	Switch, Pressure	S1-02436217000	S1-02436217000	S1-02436217000
29	4A	Switch, Limit, Auto Reset	S1-02547176000	S1-02547176000	S1-02547176000
30	*	Harness, Main Wiring	S1-02547173000	S1-02547173000	S1-02547173000
31	*	Diagram, Wiring	1174284	1174284	1174284

NOTE: *Not Shown
 New replacement parts shown in **bold** face type at the first printing of parts list dated 7/17.
 Major components and suggested stocking items are shown with shaded item number.
 "<" Across from row indicates a change in that row, changed part numbers in red.
 --- Not applicable to specified model.



ITEM	FIG	DESCRIPTION	PCG4A300752X1A	PCG4A360502X1A	PCG4A360752X1A	PCG4A361002X1A
Electric Box						
20	4A	Panel, Control, Gas	S1-07339389001	S1-07339389001	S1-07339389001	S1-07339389001
21	4A	Board, Control	S1-03103482000	S1-03103482000	S1-03103482000	S1-03103482000
22	4A	Capacitor, Dual Run	S1-02425893700	S1-02425895700	S1-02425895700	S1-02425895700
23	4A	Transformer	S1-02518452700	S1-02518452700	S1-02518452700	S1-02518452700
24	4A	Contactors	S1-02427531000	S1-02425837700	S1-02425837700	S1-02425837700
25	4A	Lug, Electrical	S1-02521798000	S1-02521798000	S1-02521798000	S1-02521798000
26	4A	Relay, Start	S1-02425060000	S1-02425035000	S1-02425035000	S1-02425035000
27	4A	Capacitor, Start	S1-02431993000	S1-02425076700	S1-02425076700	S1-02425076700
28	4A	Switch, Pressure	S1-02436217000	S1-02436217000	S1-02436217000	S1-02436217000
29	4A	Switch, Limit, Auto Reset	S1-02547176000	S1-02547176000	S1-02547176000	S1-02547176000
30	*	Harness, Main Wiring	S1-02547173000	S1-02547173000	S1-02547173000	S1-02547173000
31	*	Diagram, Wiring	1174284	1174284	1174284	1174284



Electric Box _ Section 4B

ITEM	FIG	DESCRIPTION	PCG4A420752X1A	PCG4A421002X1A
Electric Box				
20	4B	Panel, Control, Gas	S1-07339389001	S1-07339389001
21	4B	Board, Control	S1-03103482000	S1-03103482000
22	4B	Capacitor, Dual Run	S1-02425528700	S1-02425528700
23	4B	Transformer	S1-02518452700	S1-02518452700
24	4B	Contacto	S1-02425837700	S1-02425837700
25	4B	Lug, Electrical	S1-02521798000	S1-02521798000
26	4B	Relay, Start	---	---
27	4B	Capacitor, Start	---	---
28	4B	Switch, Pressure	S1-02436217000	S1-02436217000
29	4B	Switch, Limit, Auto Reset	S1-02547176000	S1-02547176000
30	*	Harness, Main Wiring	S1-02547174000	S1-02547174000
31	*	Diagram, Wiring	1174285	1174284

ITEM	FIG	DESCRIPTION	PCG4B480652X1A	PCG4B481002X1A	PCG4B481252X1A
Electric Box					
20	4B	Panel, Control, Gas	S1-07339389001	S1-07339389001	S1-07339389001
21	4B	Board, Control	S1-03103482000	S1-03103482000	S1-03103482000
22	4B	Capacitor, Dual Run	S1-02436218000	S1-02436218000	S1-02436218000
23	4B	Transformer	S1-02518452700	S1-02518452700	S1-02518452700
24	4B	Contacto	S1-02425837700	S1-02425837700	S1-02425837700
25	4B	Lug, Electrical	S1-02521798000	S1-02521798000	S1-02521798000
26	4B	Relay, Start	---	---	---
27	4B	Capacitor, Start	---	---	---
28	4B	Switch, Pressure	S1-02436217000	S1-02436217000	S1-02436217000
29	4B	Switch, Limit, Auto Reset	S1-02547175000	S1-02547175000	S1-02547175000
30	*	Harness, Main Wiring	S1-02547174000	S1-02547174000	S1-02547174000
31	*	Diagram, Wiring	1174285	1174285	1174285

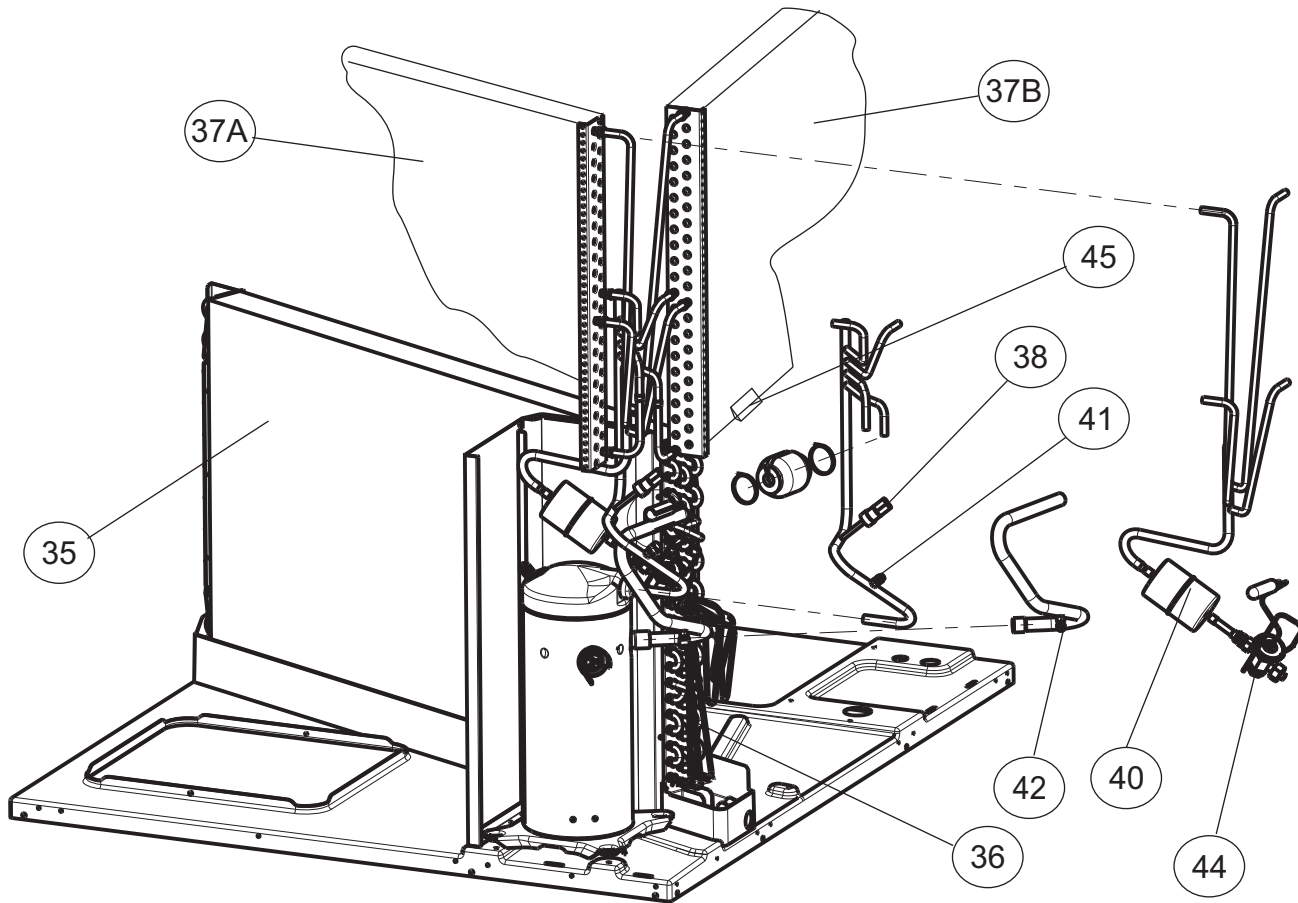
ITEM	FIG	DESCRIPTION	PCG4B600652X1A	PCG4B601002X1A	PCG4B601252X1A
Electric Box					
20	4B	Panel, Control, Gas	S1-07339389001	S1-07339389001	S1-07339389001
21	4B	Board, Control	S1-03103482000	S1-03103482000	S1-03103482000
22	4B	Capacitor, Dual Run	S1-02436218000	S1-02436218000	S1-02436218000
23	4B	Transformer	S1-02518452700	S1-02518452700	S1-02518452700
24	4B	Contacto	S1-02425837700	S1-02425837700	S1-02425837700
25	4B	Lug, Electrical	S1-02521798000	S1-02521798000	S1-02521798000
26	4B	Relay, Start	---	---	---
27	4B	Capacitor, Start	---	---	---
28	4B	Switch, Pressure	S1-02436217000	S1-02436217000	S1-02436217000
29	4B	Switch, Limit, Auto Reset	S1-02547175000	S1-02547175000	S1-02547175000
30	*	Harness, Main Wiring	S1-02547174000	S1-02547174000	S1-02547174000
31	*	Diagram, Wiring	1174285	1174285	1174285

NOTE: *Not ShownNew replacement parts shown in **bold** face type at the first printing of parts list dated 7/17.

Major components and suggested stocking items are shown with shaded item number.

"←" Across from row indicates a change in that row, changed part numbers in red.

--- Not applicable to specified model.



Evaporator, Condenser Coil Section _ Figure 5

ITEM	FIG	DESCRIPTION	PCG4A240502X1A	PCG4A240752X1A	PCG4A300502X1A
Evaporator Coil, Condenser Coil, and Piping Components					
35	5	Coil, Evaporator	S1-37339393001	S1-37339393001	S1-37339393002
36	5	Distributor, CU (Evap)	S1-02212973000	S1-02212973000	S1-02212974000
37A	5	Coil, Condenser, LH	S1-37339381004	S1-37339381004	S1-37339381001
37B	5	Coil, Condenser, RH	S1-37339381009	S1-37339381009	S1-37339381006
38	5	Switch, High Pressure	S1-02545253000	S1-02545253000	S1-02545253000
40	5	Filter Drier (Built Before 7/1/15)	S1-400503	S1-400503	S1-400503
	5	Filter Drier (Built on or after 7/1/15)	S1-400437	S1-400437	S1-400437
41	5	Valve, Schraeder (2 Req'd)	S1-02202475700	S1-02202475700	S1-02202475700
42	5	Cap, Seal (2 Req'd)	S1-02310745000	S1-02310745000	S1-02310745000
43	*	Stub, Inlet	S1-02212972000	S1-02212972000	S1-02212972000
44	5	TXV, (Cond Coil)	S1-02212966000	S1-02212966000	S1-02212967000
45	5	Support, Coil (6 Req'd)	S1-02816471000	S1-02816471000	S1-02816472000

NOTE: *Not Shown
 New replacement parts shown in **bold** face type at the first printing of parts list dated 7/17.
 Major components and suggested stocking items are shown with shaded item number.
 “<” Across from row indicates a change in that row, changed part numbers in red.
 --- Not applicable to specified model.

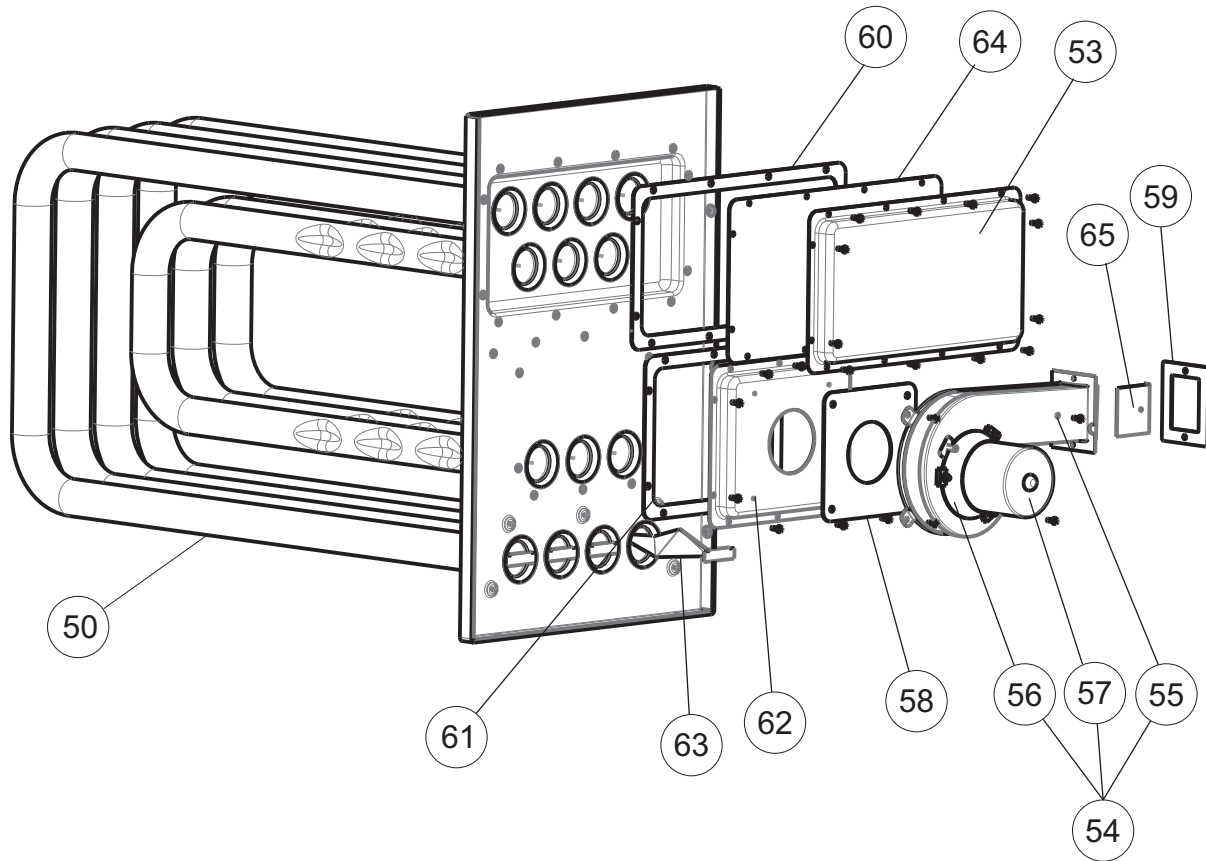


ITEM	FIG	DESCRIPTION	PCG4A300752X1A	PCG4A360502X1A	PCG4A360752X1A
Evaporator Coil, Condenser Coil, and Piping Components					
35	5	Coil, Evaporator	S1-37339393002	S1-37339393002	S1-37339393002
36	5	Distributor, CU (Evap)	S1-02212974000	S1-02212974000	S1-02212974000
37A	5	Coil, Condenser, LH	S1-37339381001	S1-37339381001	S1-37339381001
37B	5	Coil, Condenser, RH	S1-37339381006	S1-37339381006	S1-37339381006
38	5	Switch, High Pressure	S1-02545253000	S1-02545253000	S1-02545253000
40	5	Filter Drier (Built Before 7/1/15)	S1-400503	S1-400503	S1-400503
	5	Filter Drier (Built on or after 7/1/15)	S1-400437	S1-400437	S1-400437
41	5	Valve, Schraeder (2 Req'd)	S1-02202475700	S1-02202475700	S1-02202475700
42	5	Cap, Seal (2 Req'd)	S1-02310745000	S1-02310745000	S1-02310745000
43	*	Stub, Inlet	S1-02212972000	S1-02212972000	S1-02212972000
44	5	TXV, (Cond Coil)	S1-02212967000	S1-02527177000	S1-02527177000
45	5	Support, Coil (6 Req'd)	S1-02816472000	S1-02816472000	S1-02816472000

ITEM	FIG	DESCRIPTION	PCG4A361002X1A	PCG4A420752X1A	PCG4A421002X1A
Evaporator Coil, Condenser Coil, and Piping Components					
35	5	Coil, Evaporator	S1-37339393002	S1-37339393002	S1-37339393002
36	5	Distributor, CU (Evap)	S1-02212974000	S1-02212974000	S1-02212974000
37A	5	Coil, Condenser, LH	S1-37339381001	S1-37339381002	S1-37339381002
37B	5	Coil, Condenser, RH	S1-37339381006	S1-37339381007	S1-37339381007
38	5	Switch, High Pressure	S1-02545253000	S1-02545253000	S1-02545253000
40	5	Filter Drier (Built Before 7/1/15)	S1-400503	S1-400503	S1-400503
	5	Filter Drier (Built on or after 7/1/15)	S1-400437	S1-400437	S1-400437
41	5	Valve, Schraeder (2 Req'd)	S1-02202475700	S1-02202475700	S1-02202475700
42	5	Cap, Seal (2 Req'd)	S1-02310745000	S1-02310745000	S1-02310745000
43	*	Stub, Inlet	S1-02212972000	S1-02212972000	S1-02212972000
44	5	TXV, (Cond Coil)	S1-02527177000	S1-02212969000	S1-02212969000
45	5	Support, Coil (6 Req'd)	S1-02816472000	S1-02816472000	S1-02816472000

ITEM	FIG	DESCRIPTION	PCG4B480652X1A	PCG4B481002X1A	PCG4B481252X1A
Evaporator Coil, Condenser Coil, and Piping Components					
35	5	Coil, Evaporator	S1-37339393003	S1-37339393003	S1-37339393003
36	5	Distributor, CU (Evap)	S1-02212974000	S1-02212974000	S1-02212974000
37A	5	Coil, Condenser, LH	S1-37339381003	S1-37339381003	S1-37339381003
37B	5	Coil, Condenser, RH	S1-37339381008	S1-37339381008	S1-37339381008
38	5	Switch, High Pressure	S1-02545253000	S1-02545253000	S1-02545253000
40	5	Filter Drier (Built Before 7/1/15)	S1-400503	S1-400503	S1-400503
	5	Filter Drier (Built on or after 7/1/15)	S1-400437	S1-400437	S1-400437
41	5	Valve, Schraeder (2 Req'd)	S1-02202475700	S1-02202475700	S1-02202475700
42	5	Cap, Seal (2 Req'd)	S1-02310745000	S1-02310745000	S1-02310745000
43	*	Stub, Inlet	S1-02212972000	S1-02212972000	S1-02212972000
44	5	TXV, (Cond Coil)	S1-02212970000	S1-02212970000	S1-02212970000
45	5	Support, Coil (8 Req'd)	S1-02816472000	S1-02816472000	S1-02816472000

ITEM	FIG	DESCRIPTION	PCG4B600652X1A	PCG4B601002X1A	PCG4B601252X1A
Evaporator Coil, Condenser Coil, and Piping Components					
35	5	Coil, Evaporator	S1-37339393003	S1-37339393003	S1-37339393003
36	5	Distributor, CU (Evap)	S1-02212974000	S1-02212974000	S1-02212974000
37A	5	Coil, Condenser, LH	S1-37339381005	S1-37339381005	S1-37339381005
37B	5	Coil, Condenser, RH	S1-37339381010	S1-37339381010	S1-37339381010
38	5	Switch, High Pressure	S1-02545253000	S1-02545253000	S1-02545253000
40	5	Filter Drier (Built Before 7/1/15)	S1-400503	S1-400503	S1-400503
	5	Filter Drier (Built on or after 7/1/15)	S1-400437	S1-400437	S1-400437
41	5	Valve, Schraeder (2 Req'd)	S1-02202475700	S1-02202475700	S1-02202475700
42	5	Cap, Seal (2 Req'd)	S1-02310745000	S1-02310745000	S1-02310745000
43	*	Stub, Inlet	S1-02212972000	S1-02212972000	S1-02212972000
44	5	TXV, (Cond Coil)	S1-02212971000	S1-02212971000	S1-02212971000
45	5	Support, Coil (8 Req'd)	S1-02816472000	S1-02816472000	S1-02816472000



Heat Section _ Figure 6

ITEM	FIG	DESCRIPTION	PCG4A240502X1A	PCG4A240752X1A	PCG4A300502X1A
Heating Section and Vent Blower Components					
50	6	Heat Exchanger Assy	S1-37327997001	S1-37327997002	S1-37327997001
51					
53	6	Pan, Cover	S1-07339392002	S1-07339392002	S1-07339392002
54	6	Assy, Vent Blower (Includes 55-59)	S1-37327999001	S1-37327999001	S1-37327999001
55	6	Housing, Draft Inducer	S1-02647764000	S1-02647764000	S1-02647764000
56	6	Wheel, Vent Blower	S1-02647765000	S1-02647765000	S1-02647765000
57	6	Motor, Vent Blower	S1-02436210000	S1-02436210000	S1-02436210000
58	6	Gasket, Draft Inducer	S1-02816463000	S1-02816463000	S1-02816463000
59	6	Gasket, Draft Inducer, Outlet	S1-02816464000	S1-02816464000	S1-02816464000
60	6	Gasket, Draft Inducer Pan	S1-02816465000	S1-02816465000	S1-02816465000
61	6	Gasket,Cover Pan	S1-02816462000	S1-02816462000	S1-02816462000
62	6	Pan, Inducer	S1-07327987001	S1-07327987001	S1-07327987001
63	6	Screen, Lo-Nox	S1-02635452000	S1-02635452000	S1-02635452000
64	6	Panel, Heat Shield	S1-07339390001	S1-07339390001	S1-07339390001
65	6	Bracket, Flue Restrictor	S1-07339387005	S1-07339387004	S1-07339387005
66					

NOTE: *Not Shown
 New replacement parts shown in **bold** face type at the first printing of parts list dated 12/16.
 Major components and suggested stocking items are shown with shaded item number.
 “<” Across from row indicates a change in that row, changed part numbers in red.
 --- Not applicable to specified model.



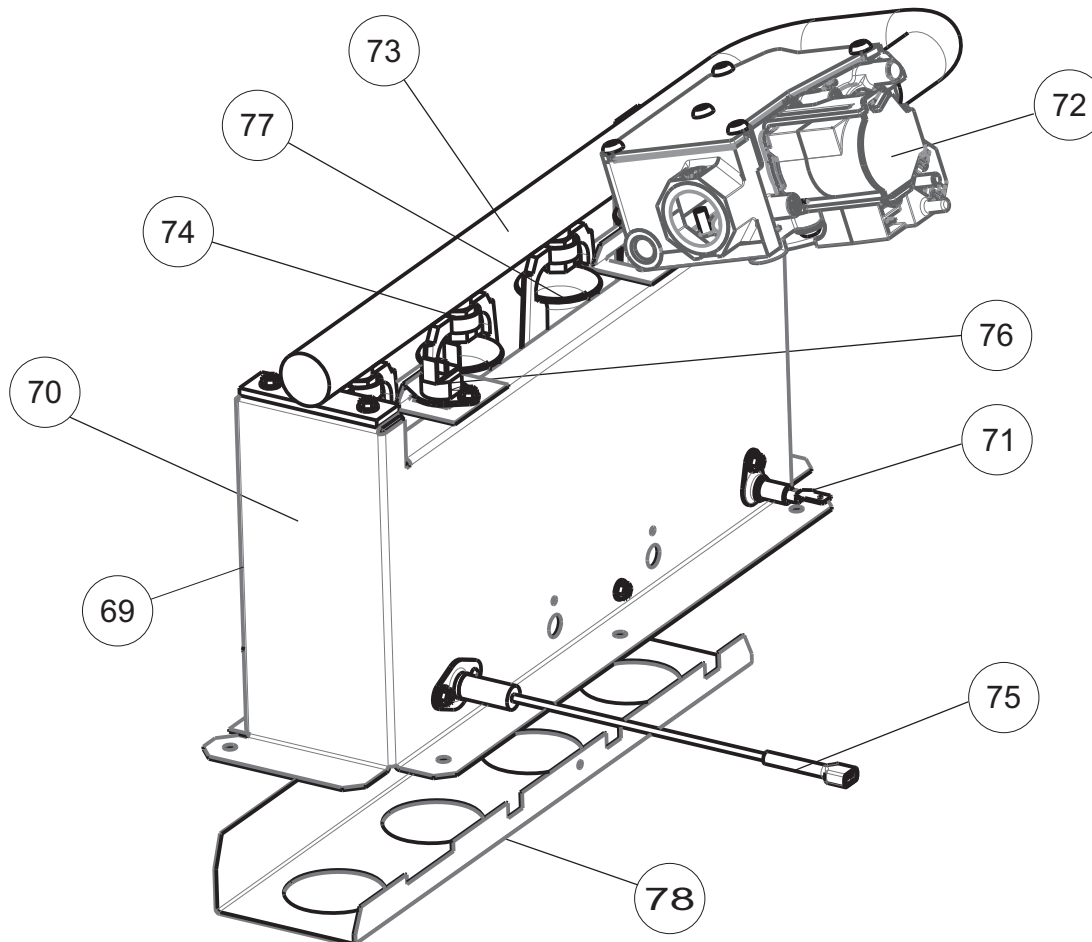
ITEM	FIG	DESCRIPTION	PCG4A300752X1A	PCG4A360502X1A	PCG4A360752X1A
Heating Section and Vent Blower Components					
50	6	Heat Exchanger Assy	S1-37327997002	S1-37327997001	S1-37327997002
51					
53	6	Pan, Cover	S1-07339392002	S1-07339392002	S1-07339392002
54	6	Assy, Vent Blower (Includes 55-59)	S1-37327999001	S1-37327999001	S1-37327999001
55	6	Housing, Draft Inducer	S1-02647764000	S1-02647764000	S1-02647764000
56	6	Wheel, Vent Blower	S1-02647765000	S1-02647765000	S1-02647765000
57	6	Motor, Vent Blower	S1-02436210000	S1-02436210000	S1-02436210000
58	6	Gasket, Draft Inducer	S1-02816463000	S1-02816463000	S1-02816463000
59	6	Gasket, Draft Inducer, Outlet	S1-02816464000	S1-02816464000	S1-02816464000
60	6	Gasket, Draft Inducer Pan	S1-02816465000	S1-02816465000	S1-02816465000
61	6	Gasket, Cover Pan	S1-02816462000	S1-02816462000	S1-02816462000
62	6	Pan, Inducer	S1-07327987001	S1-07327987001	S1-07327987001
63	6	Screen, Lo-Nox	S1-02635452000	S1-02635452000	S1-02635452000
64	6	Panel, Heat Shield	S1-07339390001	S1-07339390001	S1-07339390001
65	6	Bracket, Flue Restrictor	S1-07339387004	S1-07339387005	S1-07339387004
66					

ITEM	FIG	DESCRIPTION	PCG4A361002X1A	PCG4A420752X1A	PCG4A421002X1A
Heating Section and Vent Blower Components					
50	6	Heat Exchanger Assy	S1-37327997003	S1-37327997002	S1-37327997003
51					
53	6	Pan, Cover	S1-07339392002	S1-07339392002	S1-07339392002
54	6	Assy, Vent Blower (Includes 55-59)	S1-37327999001	S1-37327999001	S1-37327999001
55	6	Housing, Draft Inducer	S1-02647764000	S1-02647764000	S1-02647764000
56	6	Wheel, Vent Blower	S1-02647765000	S1-02647765000	S1-02647765000
57	6	Motor, Vent Blower	S1-02436210000	S1-02436210000	S1-02436210000
58	6	Gasket, Draft Inducer	S1-02816463000	S1-02816463000	S1-02816463000
59	6	Gasket, Draft Inducer, Outlet	S1-02816464000	S1-02816464000	S1-02816464000
60	6	Gasket, Draft Inducer Pan	S1-02816465000	S1-02816465000	S1-02816465000
61	6	Gasket, Cover Pan	S1-02816462000	S1-02816462000	S1-02816462000
62	6	Pan, Inducer	S1-07327987001	S1-07327987001	S1-07327987001
63	6	Screen, Lo-Nox	S1-02635452000	S1-02635452000	S1-02635452000
64	6	Panel, Heat Shield	S1-07339390001	S1-07339390001	S1-07339390001
65	6	Bracket, Flue Restrictor	S1-07339387003	S1-07339387004	S1-07339387003
66					

ITEM	FIG	DESCRIPTION	PCG4B480652X1A	PCG4B481002X1A	PCG4B481252X1A
Heating Section and Vent Blower Components					
50	6	Heat Exchanger Assy	S1-37327997004	S1-37327997005	S1-37327997006
51					
53	6	Pan, Cover	S1-07339392002	S1-07339392002	S1-07339392002
54	6	Assy, Vent Blower (Includes 55-59)	S1-37327999001	S1-37327999001	S1-37327999001
55	6	Housing, Draft Inducer	S1-02647764000	S1-02647764000	S1-02647764000
56	6	Wheel, Vent Blower	S1-02647765000	S1-02647765000	S1-02647765000
57	6	Motor, Vent Blower	S1-02436210000	S1-02436210000	S1-02436210000
58	6	Gasket, Draft Inducer	S1-02816463000	S1-02816463000	S1-02816463000
59	6	Gasket, Draft Inducer, Outlet	S1-02816464000	S1-02816464000	S1-02816464000
60	6	Gasket, Draft Inducer Pan	S1-02816465000	S1-02816465000	S1-02816465000
61	6	Gasket, Cover Pan	S1-02816462000	S1-02816462000	S1-02816462000
62	6	Pan, Inducer	S1-07327987001	S1-07327987001	S1-07327987001
63	6	Screen, Lo-Nox	S1-02635452000	S1-02635452000	S1-02635452000
64	6	Panel, Heat Shield	S1-07339390001	S1-07339390001	S1-07339390001
65	6	Bracket, Flue Restrictor	S1-07339387004	S1-07339387002	S1-07339387001
66					

ITEM	FIG	DESCRIPTION	PCG4B600652X1A	PCG4B601002X1A	PCG4B601252X1A
Heating Section and Vent Blower Components					
50	6	Heat Exchanger Assy	S1-37327997004	S1-37327997005	S1-37327997006
51					
53	6	Pan, Cover	S1-07339392002	S1-07339392002	S1-07339392002
54	6	Assy, Vent Blower (Includes 55-59)	S1-37327999001	S1-37327999001	S1-37327999001
55	6	Housing, Draft Inducer	S1-02647764000	S1-02647764000	S1-02647764000
56	6	Wheel, Vent Blower	S1-02647765000	S1-02647765000	S1-02647765000
57	6	Motor, Vent Blower	S1-02436210000	S1-02436210000	S1-02436210000
58	6	Gasket, Draft Inducer	S1-02816463000	S1-02816463000	S1-02816463000
59	6	Gasket, Draft Inducer, Outlet	S1-02816464000	S1-02816464000	S1-02816464000
60	6	Gasket, Draft Inducer Pan	S1-02816465000	S1-02816465000	S1-02816465000
61	6	Gasket, Cover Pan	S1-02816462000	S1-02816462000	S1-02816462000
62	6	Pan, Inducer	S1-07327987001	S1-07327987001	S1-07327987001
63	6	Screen, Lo-Nox	S1-02635452000	S1-02635452000	S1-02635452000
64	6	Panel, Heat Shield	S1-07339390001	S1-07339390001	S1-07339390001
65	6	Bracket, Flue Restrictor	S1-07339387004	S1-07339387002	S1-07339387001
66					

NOTE: *Not Shown
 New replacement parts shown in **bold** face type at the first printing of parts list dated 7/17.
 Major components and suggested stocking items are shown with shaded item number.
 "<" Across from row indicates a change in that row, changed part numbers in red.
 --- Not applicable to specified model.




Burner Section _ Figure 7

ITEM	FIG	DESCRIPTION	PCG4A240502X1A	PCG4A240752X1A	PCG4A300502X1A
Burner Assembly					
69	7	Support, Burner	S1-07339394001	S1-07339394001	S1-07339394001
70	7	Box, Burner	S1-07339370001	S1-07339370001	S1-07339370001
71	7	Flame, Sensor	S1-02537499000	S1-02537499000	S1-02537499000
72	7	Valve, Gas	S1-32544123000	S1-32544123000	S1-32544123000
73	7	Manifold, Gas (Includes Orifices)	S1-02926834000	S1-02926836000	S1-02926834000
74	7	Orifice, Gas	S1-02926851000	S1-02926851000	S1-02926851000
75	7	Igniter, Spark	S1-02547172000	S1-02547172000	S1-02547172000
76	7	Switch, Control Roll-out	S1-02541318000	S1-02541318000	S1-02541318000
77	7	Burner, Gas	S1-02922473000	S1-02922473000	S1-02922473000
78	7	Retainer, Lo-Nox	S1-07339384001	S1-07339384001	S1-07339384001

ITEM	FIG	DESCRIPTION	PCG4A300752X1A	PCG4A360502X1A	PCG4A360752X1A
Burner Assembly					
69	7	Support, Burner	S1-07339394001	S1-07339394001	S1-07339394001
70	7	Box, Burner	S1-07339370001	S1-07339370001	S1-07339370001
71	7	Flame, Sensor	S1-02537499000	S1-02537499000	S1-02537499000
72	7	Valve, Gas	S1-32544123000	S1-32544123000	S1-32544123000
73	7	Manifold, Gas (Includes Orifices)	S1-02926836000	S1-02926834000	S1-02926836000
74	7	Orifice, Gas	S1-02926851000	S1-02926851000	S1-02926851000
75	7	Igniter, Spark	S1-02547172000	S1-02547172000	S1-02547172000
76	7	Switch, Control Roll-out	S1-02541318000	S1-02541318000	S1-02541318000
77	7	Burner, Gas	S1-02922473000	S1-02922473000	S1-02922473000
78	7	Retainer, Lo-Nox	S1-07339384001	S1-07339384001	S1-07339384001

ITEM	FIG	DESCRIPTION	PCG4A361002X1A	PCG4A420752X1A	PCG4A421002X1A
Burner Assembly					
69	7	Support, Burner	S1-07339394001	S1-07339394001	S1-07339394001
70	7	Box, Burner	S1-07339370001	S1-07339370001	S1-07339370001
71	7	Flame, Sensor	S1-02537499000	S1-02537499000	S1-02537499000
72	7	Valve, Gas	S1-32544123000	S1-32544123000	S1-32544123000
73	7	Manifold, Gas (Includes Orifices)	S1-02926838000	S1-02926836000	S1-02926838000
74	7	Orifice, Gas	S1-02926851000	S1-02926851000	S1-02926851000
75	7	Igniter, Spark	S1-02547172000	S1-02547172000	S1-02547172000
76	7	Switch, Control Roll-out	S1-02541318000	S1-02541318000	S1-02541318000
77	7	Burner, Gas	S1-02922473000	S1-02922473000	S1-02922473000
78	7	Retainer, Lo-Nox	S1-07339384001	S1-07339384001	S1-07339384001

ITEM	FIG	DESCRIPTION	PCG4B480652X1A	PCG4B481002X1A	PCG4B481252X1A
Burner Assembly					
69	7	Support, Burner	S1-07339394001	S1-07339394001	S1-07339394001
70	7	Box, Burner	S1-07339370001	S1-07339370001	S1-07339370001
71	7	Flame, Sensor	S1-02537499000	S1-02537499000	S1-02537499000
72	7	Valve, Gas	S1-32544123000	S1-32544123000	S1-32544123000
73	7	Manifold, Gas (Includes Orifices)	S1-02926835000	S1-02926837000	S1-02926839000
74	7	Orifice, Gas	S1-02926854000	S1-02926854000	S1-02926854000
75	7	Igniter, Spark	S1-02547172000	S1-02547172000	S1-02547172000
76	7	Switch, Control Roll-out	S1-02541318000	S1-02541318000	S1-02541318000
77	7	Burner, Gas	S1-02922473000	S1-02922473000	S1-02922473000
78	7	Retainer, Lo-Nox	S1-07339384001	S1-07339384001	S1-07339384001

NOTE: *Not Shown
 New replacement parts shown in **bold** face type at the first printing of parts list dated 7/17.
 Major components and suggested stocking items are shown with shaded item number. 
 "<" Across from row indicates a change in that row, changed part numbers in red.
 --- Not applicable to specified model.

ITEM	FIG	DESCRIPTION	PCG4B600652X1A	PCG4B601002X1A	PCG4B601252X1A
Burner Assembly					
69	7	Support, Burner	S1-07339394001	S1-07339394001	S1-07339394001
70	7	Box, Burner	S1-07339370001	S1-07339370001	S1-07339370001
71	7	Flame, Sensor	S1-02537499000	S1-02537499000	S1-02537499000
72	7	Valve, Gas	S1-32544123000	S1-32544123000	S1-32544123000
73	7	Manifold, Gas (Includes Orifices)	S1-02926835000	S1-02926837000	S1-02926839000
74	7	Orifice, Gas	S1-02926854000	S1-02926854000	S1-02926854000
75	7	Igniter, Spark	S1-02547172000	S1-02547172000	S1-02547172000
76	7	Switch, Control Roll-out	S1-02541318000	S1-02541318000	S1-02541318000
77	7	Burner, Gas	S1-02922473000	S1-02922473000	S1-02922473000
78	7	Retainer, Lo-Nox	S1-07339384001	S1-07339384001	S1-07339384001

NOTE: *Not Shown

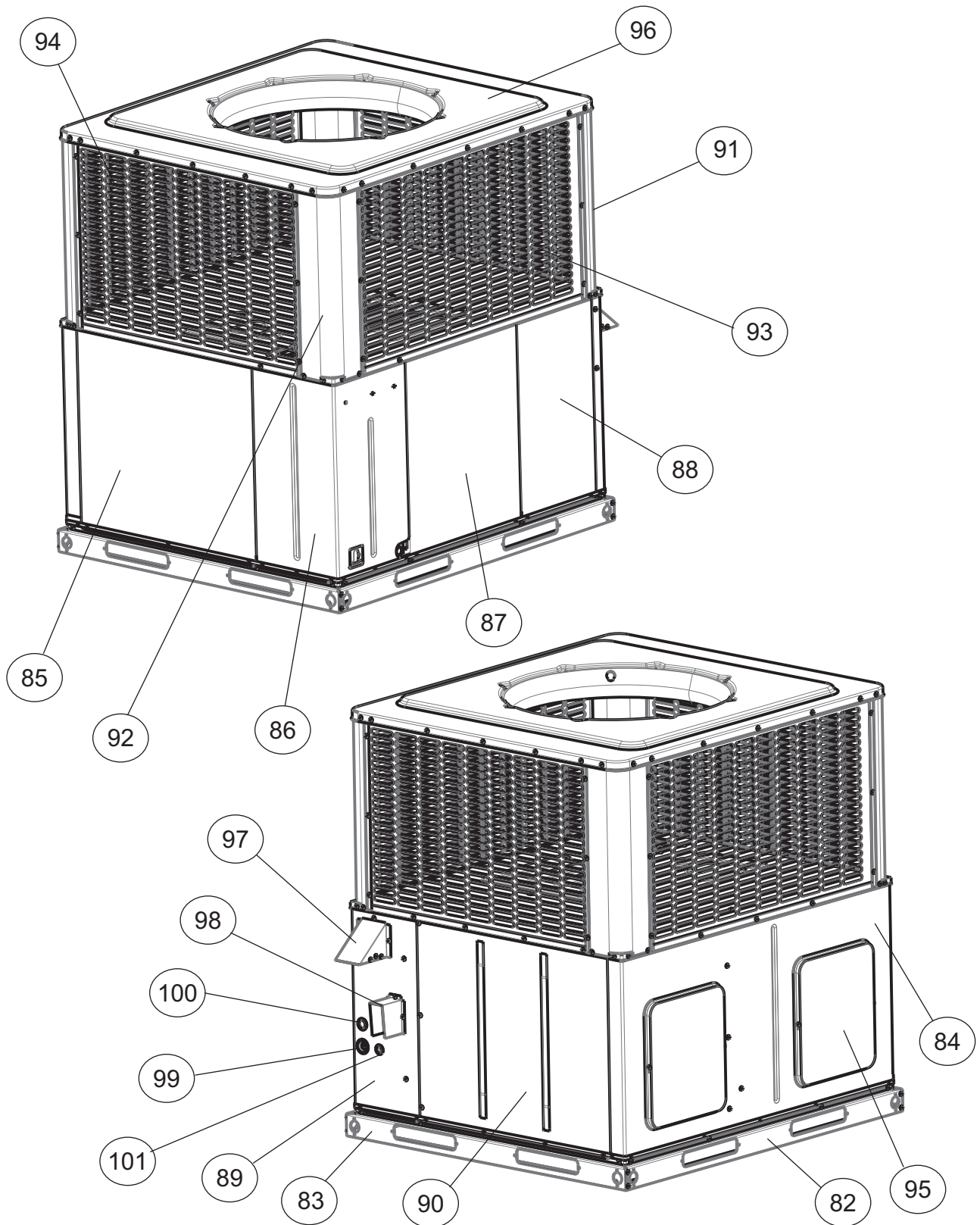
New replacement parts shown in **bold** face type at the first printing of parts list dated 7/17.

Major components and suggested stocking items are shown with shaded item number.

"<" Across from row indicates a change in that row, changed part numbers in red.

--- Not applicable to specified model.





Outside Sheet Metal and Components _ Figure 8

ITEM	FIG	DESCRIPTION	PCG4A240502X1A	PCG4A240752X1A	PCG4A300502X1A
Outer Sheet Metal and Components					
82	8	Base Rail, Front and Rear (2 Req'd)	S1-07327986001	S1-07327986001	S1-07327986001
83	8	Base Rail, Side (2 Req'd)	S1-07327986003	S1-07327986003	S1-07327986003
84	8	Panel Assy, Rear Duct	S1-37327989002	S1-37327989002	S1-37327989002
85	8	Panel Assy, Coil/Filter Access	S1-37327990001	S1-37327990001	S1-37327990001
86	8	Panel, Compressor Access	S1-07339375001	S1-07339375001	S1-07339375001
87	8	Panel Assy, Blower Access	S1-37327991001	S1-37327991001	S1-37327991001
88	8	Panel, Burner/Control Access	S1-07327998001	S1-07327998001	S1-07327998001
89	8	Panel, Gas Utility	S1-07339380001	S1-07339380001	S1-07339380001
90	8	Panel Assy, Heat Exchger Access	S1-37327992001	S1-37327992001	S1-37327992001
91	8	Post, Corner, Small (2 Req'd)	S1-07339377003	S1-07339377003	S1-07339377003
92	8	Post, Corner, Large (2 Req'd)	S1-07339376003	S1-07339376003	S1-07339376003
93	8	Guard, Coil, Front & Rear (2 Req'd)	S1-07339371003	S1-07339371003	S1-07339371003
94	8	Guard, Coil, Side (2 Req'd)	S1-07339374003	S1-07339374003	S1-07339374003
95	8	Panel Assy, Duct Cover	S1-37327995001	S1-37327995001	S1-37327995001
96	8	Panel, Top	S1-07339378002	S1-07339378002	S1-07339378002
97	8	Hood, Rain, Flue (Vent Air Outlet)	S1-36393686001	S1-36393686001	S1-36393686001
98	8	Hood, Exhaust Cover	S1-07339391001	S1-07339391001	S1-07339391001
99	8	Grommet, 1-5/8" PVC	S1-02804859900	S1-02804859900	S1-02804859900
100	8	Plug, Plastic, 1-3/32 Inch (2 Req'd)	S1-02816466000	S1-02816466000	S1-02816466000
101	8	Plug, Seal 7/8 Inch (2 Req'd)	S1-02815853000	S1-02815853000	S1-02815853000

ITEM	FIG	DESCRIPTION	PCG4A300752X1A	PCG4A360502X1A	PCG4A360752X1A
Outer Sheet Metal and Components					
82	8	Base Rail, Front and Rear (2 Req'd)	S1-07327986001	S1-07327986001	S1-07327986001
83	8	Base Rail, Side (2 Req'd)	S1-07327986003	S1-07327986003	S1-07327986003
84	8	Panel Assy, Rear Duct	S1-37327989002	S1-37327989002	S1-37327989002
85	8	Panel Assy, Coil/Filter Access	S1-37327990001	S1-37327990001	S1-37327990001
86	8	Panel, Compressor Access	S1-07339375001	S1-07339375001	S1-07339375001
87	8	Panel Assy, Blower Access	S1-37327991001	S1-37327991001	S1-37327991001
88	8	Panel, Burner/Control Access	S1-07327998001	S1-07327998001	S1-07327998001
89	8	Panel, Gas Utility	S1-07339380001	S1-07339380001	S1-07339380001
90	8	Panel Assy, Heat Exchger Access	S1-37327992001	S1-37327992001	S1-37327992001
91	8	Post, Corner, Small (2 Req'd)	S1-07339377003	S1-07339377003	S1-07339377003
92	8	Post, Corner, Large (2 Req'd)	S1-07339376003	S1-07339376003	S1-07339376003
93	8	Guard, Coil, Front & Rear (2 Req'd)	S1-07339371003	S1-07339371003	S1-07339371003
94	8	Guard, Coil, Side (2 Req'd)	S1-07339374003	S1-07339374003	S1-07339374003
95	8	Panel Assy, Duct Cover	S1-37327995001	S1-37327995001	S1-37327995001
96	8	Panel, Top	S1-07339378002	S1-07339378002	S1-07339378002
97	8	Hood, Rain, Flue (Vent Air Outlet)	S1-36393686001	S1-36393686001	S1-36393686001
98	8	Hood, Exhaust Cover	S1-07339391001	S1-07339391001	S1-07339391001
99	8	Grommet, 1-5/8" PVC	S1-02804859900	S1-02804859900	S1-02804859900
100	8	Plug, Plastic, 1-3/32 Inch (2 Req'd)	S1-02816466000	S1-02816466000	S1-02816466000
101	8	Plug, Seal 7/8 Inch (2 Req'd)	S1-02815853000	S1-02815853000	S1-02815853000

NOTE: *Not ShownNew replacement parts shown in **bold** face type at the first printing of parts list dated 7/17.

Major components and suggested stocking items are shown with shaded item number.


"←" Across from row indicates a change in that row, changed part numbers in red.

--- Not applicable to specified model.



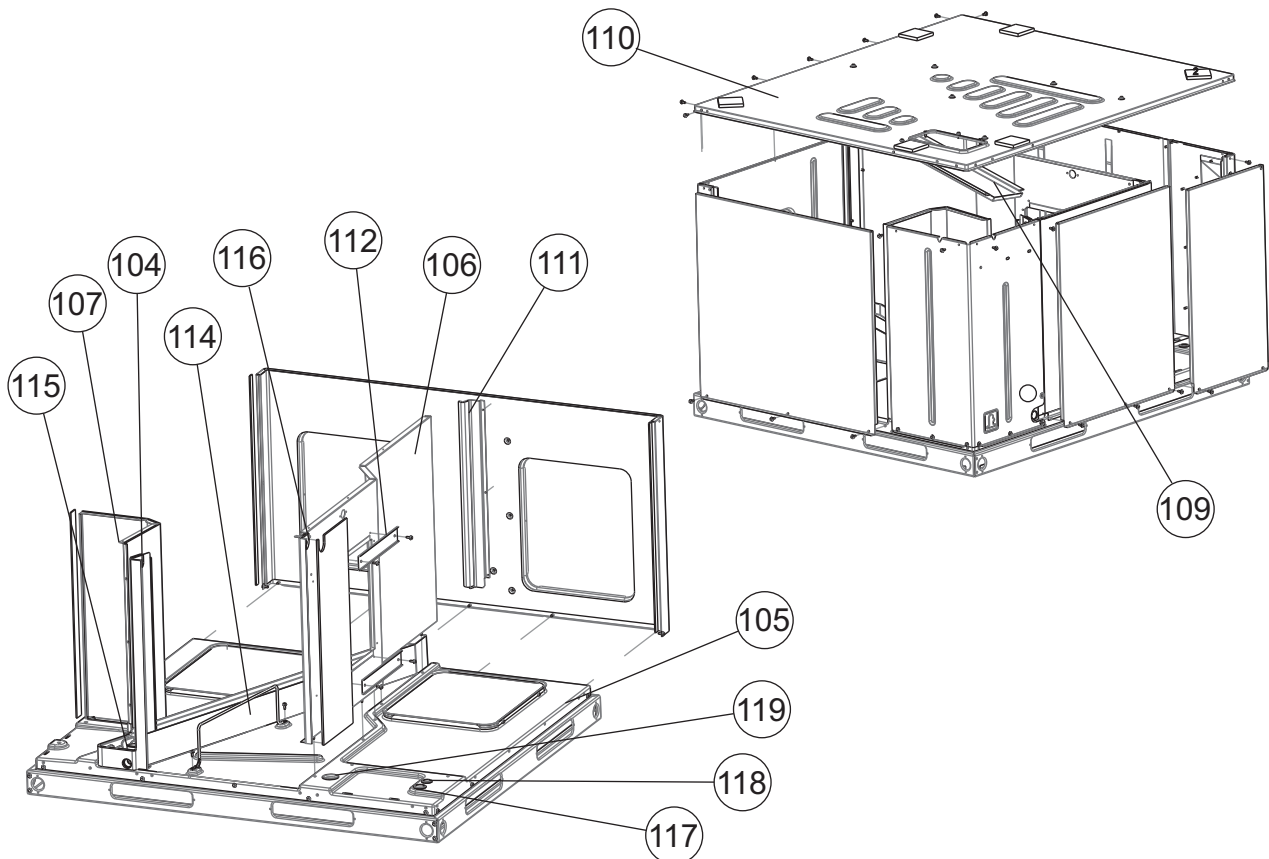
ITEM	FIG	DESCRIPTION	PCG4A361002X1A	PCG4A420752X1A	PCG4A421002X1A
Outer Sheet Metal and Components					
82	8	Base Rail, Front and Rear (2 Req'd)	S1-07327986001	S1-07327986001	S1-07327986001
83	8	Base Rail, Side (2 Req'd)	S1-07327986003	S1-07327986003	S1-07327986003
84	8	Panel Assy, Rear Duct	S1-37327989002	S1-37327989002	S1-37327989002
85	8	Panel Assy, Coil/Filter Access	S1-37327990001	S1-37327990001	S1-37327990001
86	8	Panel, Compressor Access	S1-07339375001	S1-07339375001	S1-07339375001
87	8	Panel Assy, Blower Access	S1-37327991001	S1-37327991001	S1-37327991001
88	8	Panel, Burner/Control Access	S1-07327998001	S1-07327998001	S1-07327998001
89	8	Panel, Gas Utility	S1-07339380001	S1-07339380001	S1-07339380001
90	8	Panel Assy, Heat Exchger Access	S1-37327992001	S1-37327992001	S1-37327992001
91	8	Post, Corner, Small (2 Req'd)	S1-07339377003	S1-07339377004	S1-07339377004
92	8	Post, Corner, Large (2 Req'd)	S1-07339376003	S1-07339376004	S1-07339376003
93	8	Guard, Coil, Front & Rear (2 Req'd)	S1-07339371003	S1-07339371004	S1-07339371004
94	8	Guard, Coil, Side (2 Req'd)	S1-07339374003	S1-07339374004	S1-07339374004
95	8	Panel Assy, Duct Cover	S1-37327995001	S1-37327995001	S1-37327995001
96	8	Panel, Top	S1-07339378002	S1-07339378002	S1-07339378002
97	8	Hood, Rain, Flue (Vent Air Outlet)	S1-36393686001	S1-36393686001	S1-36393686001
98	8	Hood, Exhaust Cover	S1-07339391001	S1-07339391001	S1-07339391001
99	8	Grommet, 1-5/8" PVC	S1-02804859900	S1-02804859900	S1-02804859900
100	8	Plug, Plastic, 1-3/32 Inch (2 Req'd)	S1-02816466000	S1-02816466000	S1-02816466000
101	8	Plug, Seal 7/8 Inch (2 Req'd)	S1-02815853000	S1-02815853000	S1-02815853000

ITEM	FIG	DESCRIPTION	PCG4B480652X1A	PCG4B481002X1A	PCG4B481252X1A
Outer Sheet Metal and Components					
82	8	Base Rail, Front and Rear (2 Req'd)	S1-07327986001	S1-07327986001	S1-07327986001
83	8	Base Rail, Side (2 Req'd)	S1-07327986002	S1-07327986002	S1-07327986002
84	8	Panel Assy, Rear Duct	S1-37327989001	S1-37327989001	S1-37327989001
85	8	Panel Assy, Coil/Filter Access	S1-37327990002	S1-37327990002	S1-37327990002
86	8	Panel, Compressor Access	S1-07339375001	S1-07339375001	S1-07339375001
87	8	Panel Assy, Blower Access	S1-37327991001	S1-37327991001	S1-37327991001
88	8	Panel, Burner/Control Access	S1-07327998001	S1-07327998001	S1-07327998001
89	8	Panel, Gas Utility	S1-07339380001	S1-07339380001	S1-07339380001
90	8	Panel Assy, Heat Exchger Access	S1-37327992002	S1-37327992002	S1-37327992002
91	8	Post, Corner, Small (2 Req'd)	S1-07339377006	S1-07339377006	S1-07339377006
92	8	Post, Corner, Large (2 Req'd)	S1-07339376006	S1-07339376006	S1-07339376006
93	8	Guard, Coil, Front & Rear (2 Req'd)	S1-07339371006	S1-07339371006	S1-07339371006
94	8	Guard, Coil, Side (2 Req'd)	S1-07339372006	S1-07339372006	S1-07339372006
95	8	Panel Assy, Duct Cover	S1-37327995002	S1-37327995002	S1-37327995002
96	8	Panel, Top	S1-07339378001	S1-07339378001	S1-07339378001
97	8	Hood, Rain, Flue (Vent Air Outlet)	S1-36393686001	S1-36393686001	S1-36393686001
98	8	Hood, Exhaust Cover	S1-07339391001	S1-07339391001	S1-07339391001
99	8	Grommet, 1-5/8" PVC	S1-02804859900	S1-02804859900	S1-02804859900
100	8	Plug, Plastic, 1-3/32 Inch (2 Req'd)	S1-02816466000	S1-02816466000	S1-02816466000
101	8	Plug, Seal 7/8 Inch (2 Req'd)	S1-02815853000	S1-02815853000	S1-02815853000

NOTE: *Not Shown
 New replacement parts shown in **bold** face type at the first printing of parts list dated 7/17.
 Major components and suggested stocking items are shown with shaded item number. 
 "<" Across from row indicates a change in that row, changed part numbers in red.
 --- Not applicable to specified model.

ITEM	FIG	DESCRIPTION	PCG4B600652X1A	PCG4B601002X1A	PCG4B601252X1A
Outer Sheet Metal and Components					
82	8	Base Rail, Front and Rear (2 Req'd)	S1-07327986001	S1-07327986001	S1-07327986001
83	8	Base Rail, Side (2 Req'd)	S1-07327986002	S1-07327986002	S1-07327986002
84	8	Panel Assy, Rear Duct	S1-37327989001	S1-37327989001	S1-37327989001
85	8	Panel Assy, Coil/Filter Access	S1-37327990002	S1-37327990002	S1-37327990002
86	8	Panel, Compressor Access	S1-07339375001	S1-07339375001	S1-07339375001
87	8	Panel Assy, Blower Access	S1-37327991001	S1-37327991001	S1-37327991001
88	8	Panel, Burner/Control Access	S1-07327998001	S1-07327998001	S1-07327998001
89	8	Panel, Gas Utility	S1-07339380001	S1-07339380001	S1-07339380001
90	8	Panel Assy, Heat Exchger Access	S1-37327992002	S1-37327992002	S1-37327992002
91	8	Post, Corner, Small (2 Req'd)	S1-07339377007	S1-07339377007	S1-07339377007
92	8	Post, Corner, Large (2 Req'd)	S1-07339376007	S1-07339376007	S1-07339376007
93	8	Guard, Coil, Front & Rear (2 Req'd)	S1-07339371007	S1-07339371007	S1-07339371007
94	8	Guard, Coil, Side (2 Req'd)	S1-07339372007	S1-07339372007	S1-07339372007
95	8	Panel Assy, Duct Cover	S1-37327995002	S1-37327995002	S1-37327995002
96	8	Panel, Top	S1-07339378001	S1-07339378001	S1-07339378001
97	8	Hood, Rain, Flue (Vent Air Outlet)	S1-36393686001	S1-36393686001	S1-36393686001
98	8	Hood, Exhaust Cover	S1-07339391001	S1-07339391001	S1-07339391001
99	8	Grommet, 1-5/8" PVC	S1-02804859900	S1-02804859900	S1-02804859900
100	8	Plug, Plastic, 1-3/32 Inch (2 Req'd)	S1-02816466000	S1-02816466000	S1-02816466000
101	8	Plug, Seal 7/8 Inch (2 Req'd)	S1-02815853000	S1-02815853000	S1-02815853000

NOTE: *Not Shown
 New replacement parts shown in **bold** face type at the first printing of parts list dated 7/17.
 Major components and suggested stocking items are shown with shaded item number.
 "<" Across from row indicates a change in that row, changed part numbers in red.
 --- Not applicable to specified model.



Inner Sheet Metal and Components _ Figure 9

ITEM	FIG	DESCRIPTION	PCG4A240502X1A	PCG4A240752X1A	PCG4A300502X1A
Inner Sheet Metal and Components					
104	9	Block-off, Coil, Front	S1-07339414001	S1-07339414001	S1-07339414002
105	9	Base Pan Assy	S1-37327988002	S1-37327988002	S1-37327988002
106	9	Deck, Blower	S1-07339383006	S1-07339383006	S1-07339383006
107	9	Panel Assy, Compressor Barrier	S1-37339446001	S1-37339446001	S1-37339446001
108					
109	9	Panel, Coil Block-off	S1-07339388002	S1-07339388002	S1-07339388002
110	9	Panel Assembly, Mid	S1-37327993001	S1-37327993001	S1-37327993001
111	9	Block-off, Coil, Rear	S1-07339386003	S1-07339386003	S1-07339386003
112	9	Bracket, Blower Retainer (2 Req'd)	S1-07339386001	S1-07339386001	S1-07339386001
113					
114	9	Pan, Drain	S1-03200222000	S1-03200222000	S1-03200222000
115	9	Insert, Drain Pan	S1-02817076000	S1-02817076000	S1-02817076000
116	9	Grommet, .5" Dia (Utility Panel) (2 Req'd)	S1-02530823000	S1-02530823000	S1-02530823000
117	9	Plug, Plastic, 1-3/32 Inch (2 Req'd)	S1-02816466000	S1-02816466000	S1-02816466000
118	9	Plug, Seal 7/8 Inch (2 Req'd)	S1-02815853000	S1-02815853000	S1-02815853000
119	9	Grommet, 1-5/8"	S1-02814787000	S1-02814787000	S1-02814787000

ITEM	FIG	DESCRIPTION	PCG4A300752X1A	PCG4A360502X1A	PCG4A360752X1A
Inner Sheet Metal and Components					
104	9	Block-off, Coil, Front	S1-07339414002	S1-07339414002	S1-07339414002
105	9	Base Pan Assy	S1-37327988002	S1-37327988002	S1-37327988002
106	9	Deck, Blower	S1-07339383006	S1-07339383004	S1-07339383004
107	9	Panel Assy, Compressor Barrier	S1-37339446001	S1-37339446001	S1-37339446001
108					
109	9	Panel, Coil Block-off	S1-07339388002	S1-07339388002	S1-07339388002
110	9	Panel Assembly, Mid	S1-37327993001	S1-37327993001	S1-37327993001
111	9	Block-off, Coil, Rear	S1-07339386003	S1-07339386003	S1-07339386003
112	9	Bracket, Blower Retainer (2 Req'd)	S1-07339386001	S1-07339386001	S1-07339386001
113					
114	9	Pan, Drain	S1-03200222000	S1-03200222000	S1-03200222000
115	9	Insert, Drain Pan	S1-02817076000	S1-02817076000	S1-02817076000
116	9	Grommet, .5" Dia (Utility Panel) (2 Req'd)	S1-02530823000	S1-02530823000	S1-02530823000
117	9	Plug, Plastic, 1-3/32 Inch (2 Req'd)	S1-02816466000	S1-02816466000	S1-02816466000
118	9	Plug, Seal 7/8 Inch (2 Req'd)	S1-02815853000	S1-02815853000	S1-02815853000
119	9	Grommet, 1-5/8"	S1-02814787000	S1-02814787000	S1-02814787000

ITEM	FIG	DESCRIPTION	PCG4A361002X1A	PCG4A420752X1A	PCG4A421002X1A
Inner Sheet Metal and Components					
104	9	Block-off, Coil, Front	S1-07339414002	S1-07339414002	S1-07339414002
105	9	Base Pan Assy	S1-37327988002	S1-37327988002	S1-37327988002
106	9	Deck, Blower	S1-07339383004	S1-07339383004	S1-07339383004
107	9	Panel Assy, Compressor Barrier	S1-37339446001	S1-37339446001	S1-37339446001
108					
109	9	Panel, Coil Block-off	S1-07339388002	S1-07339388002	S1-07339388002
110	9	Panel Assembly, Mid	S1-37327993001	S1-37327993001	S1-37327993001
111	9	Block-off, Coil, Rear	S1-07339386003	S1-07339386003	S1-07339386003
112	9	Bracket, Blower Retainer (2 Req'd)	S1-07339386001	S1-07339386001	S1-07339386001
113					
114	9	Pan, Drain	S1-03200222000	S1-03200222000	S1-03200222000
115	9	Insert, Drain Pan	S1-02817076000	S1-02817076000	S1-02817076000
116	9	Grommet, .5" Dia.(Utility Panel) (2 Req'd)	S1-02530823000	S1-02530823000	S1-02530823000
117	9	Plug, Plastic, 1-3/32 Inch (2 Req'd)	S1-02816466000	S1-02816466000	S1-02816466000
118	9	Plug, Seal 7/8 Inch (2 Req'd)	S1-02815853000	S1-02815853000	S1-02815853000
119	9	Grommet, 1-5/8"	S1-02814787000	S1-02814787000	S1-02814787000

NOTE: *Not Shown
 New replacement parts shown in **bold** face type at the first printing of parts list dated 7/17.
 Major components and suggested stocking items are shown with shaded item number.
 "<" Across from row indicates a change in that row, changed part numbers in red.
 --- Not applicable to specified model.

ITEM	FIG	DESCRIPTION	PCG4B480652X1A	PCG4B481002X1A	PCG4B481252X1A
Inner Sheet Metal and Components					
104	9	Block-off, Coil, Front	S1-07339414002	S1-07339414002	S1-07339414002
105	9	Base Pan Assy	S1-37327988001	S1-37327988001	S1-37327988001
106	9	Deck, Blower	S1-07339383002	S1-07339383002	S1-07339383002
107	9	Panel Assy, Compressor Barrier	S1-37339446001	S1-37339446001	S1-37339446001
108					
109	9	Panel, Coil Block-off	S1-07339388001	S1-07339388001	S1-07339388001
110	9	Panel Assembly, Mid	S1-37327993002	S1-37327993002	S1-37327993002
111	9	Block-off, Coil, Rear	S1-07339386003	S1-07339386003	S1-07339386003
112	9	Bracket, Blower Retainer (2 Req'd)	S1-07339386001	S1-07339386001	S1-07339386001
113					
114	9	Pan, Drain	S1-03200223000	S1-03200223000	S1-03200223000
115	9	Insert, Drain Pan	S1-02817076000	S1-02817076000	S1-02817076000
116	9	Grommet, .5" Dia (Utility Panel) (2 Req'd)	S1-02530823000	S1-02530823000	S1-02530823000
117	9	Plug, Plastic, 1-3/32 Inch (2 Req'd)	S1-02816466000	S1-02816466000	S1-02816466000
118	9	Plug, Seal 7/8 Inch (2 Req'd)	S1-02815853000	S1-02815853000	S1-02815853000
119	9	Grommet, 1-5/8"	S1-02814787000	S1-02814787000	S1-02814787000

ITEM	FIG	DESCRIPTION	PCG4B600652X1A	PCG4B601002X1A	PCG4B601252X1A
Inner Sheet Metal and Components					
104	9	Block-off, Coil, Front	S1-07339414002	S1-07339414002	S1-07339414002
105	9	Base Pan Assy	S1-37327988001	S1-37327988001	S1-37327988001
106	9	Deck, Blower	S1-07339383002	S1-07339383002	S1-07339383002
107	9	Panel Assy, Compressor Barrier	S1-37339446001	S1-37339446001	S1-37339446001
108					
109	9	Panel, Coil Block-off	S1-07339388001	S1-07339388001	S1-07339388001
110	9	Panel Assembly, Mid	S1-37327993002	S1-37327993002	S1-37327993002
111	9	Block-off, Coil, Rear	S1-07339386003	S1-07339386003	S1-07339386003
112	9	Bracket, Blower Retainer (2 Req'd)	S1-07339386001	S1-07339386001	S1-07339386001
113					
114	9	Pan, Drain	S1-03200223000	S1-03200223000	S1-03200223000
115	9	Insert, Drain Pan	S1-02817076000	S1-02817076000	S1-02817076000
116	9	Grommet, .5" Dia (Utility Panel) (2 Req'd)	S1-02530823000	S1-02530823000	S1-02530823000
117	9	Plug, Plastic, 1-3/32 Inch (2 Req'd)	S1-02816466000	S1-02816466000	S1-02816466000
118	9	Plug, Seal 7/8 Inch (2 Req'd)	S1-02815853000	S1-02815853000	S1-02815853000
119	9	Grommet, 1-5/8"	S1-02814787000	S1-02814787000	S1-02814787000

NOTE: *Not ShownNew replacement parts shown in **bold** face type at the first printing of parts list dated 7/17.

Major components and suggested stocking items are shown with shaded item number.

"←" Across from row indicates a change in that row, changed part numbers in red.

--- Not applicable to specified model.



ITEM	FIG	DESCRIPTION	ALL MODELS
Misc.			
125	*	Badge, Branding	Consult S1 Acct Rep
126	*	Strap, Cable	S1-02527642000
127	*	Tubing,0.125 ID, Silicone	S1-02811957000

NOTE: *Not Shown
 New replacement parts shown in **bold** face type at the first printing of parts list dated 7/17.
 Major components and suggested stocking items are shown with shaded item number.
 "<" Across from row indicates a change in that row, changed part numbers in red.
 --- Not applicable to specified model.



TO ORDER AUTHORIZED FACTORY REPLACEMENT PARTS - Contact your Source1 HVAC Parts Distributor or visit our website at **www.Source1Parts.com** for a Distributor and Dealer listing.

Subject to change without notice. Published in U.S.A.
Copyright © 2017 by Johnson Controls, Inc. All rights reserved.

035-24185-001 Rev. N (0717)
Supersedes: 035-24185-001 Rev. M (1216)

York International Corp.
5005 York Drive
Norman, OK 73069