

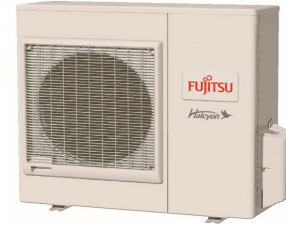
**Inverter Driven Heat Pump** **30,000 BTU Multi Position AHU**

Job Name \_\_\_\_\_  
 Location \_\_\_\_\_  
 Engineer \_\_\_\_\_  
 Submitted To \_\_\_\_\_  
 Submitted By \_\_\_\_\_  
 Reference \_\_\_\_\_

Date \_\_\_\_\_  
 Approval \_\_\_\_\_  
 Construction \_\_\_\_\_  
 Unit No \_\_\_\_\_  
 Drawing No \_\_\_\_\_

**PRODUCT FEATURES**

- Up to 1.0" WC
- 2-Wire Wired Remote Controls
- All Aluminum Coil
- Heating operation rated down to -5°F outdoor temperature.
- Long Lineset Lengths (up to 164')
- Integral Electric Heat Kit (Optional)



**MODEL NUMBERS**

Indoor Unit	AMUG30LMAS
Outdoor Unit	AOU30RGLX
System	30RGLXM

**EFFICIENCIES**

SEER	18.5	
EER	10.1	
HSPF	10.3	
COP	kW/kW	3.11
	Btu/hW	10.6

**OUTDOOR TEMPERATURE OPERATION RANGE**

Cooling	°F (°C)	-5 - 115 (-20 - 46)
Heating		-5 - 75 (-20 - 24)

**CAPACITIES**

Cooling	Rated	BTU/hW	30,000
	Min.—Max.		9,600 - 35,000
Heating	Rated		32,000
	Min.—Max.		9,200 - 39,000

**LINESET REQUIREMENTS**

Connection Method		Flare
Liquid	in (mm)	3/8
		5/8
Pre-Charge Length	ft (m)	66 (20)
		16 (5)
		164 (50)
		98 (30)

**INDOOR DIMENSIONS & WEIGHT**

Net (H x W x D)	in	42 8/16 x 21 x 21 11/16
	mm	1080 x 533 x 551
Gross (H x W x D)	in	42 12/16 x 24 x 25 5/16
	mm	1086 x 610 x 643
Net Weight	lb (kg)	104 (47)
		Gross Weight

**OUTDOOR DIMENSIONS & WEIGHT**

Net (H x W x D)	in	32 11/16 x 35 7/16 x 13
	mm	830 x 900 x 330
Gross (H x W x D)	in	39 3/8 x 41 5/16 x 17 1/2
	mm	1000 x 1050 x 445
Net Weight	lb (kg)	134 (61)
		Gross Weight

**Warranty Information**



7 Year Compressor, 5 Year Parts out-of-the-box Warranty



10 Year Compressor, 10 Year Parts Warranty when registered within 60 days of installation in a residence



12 Year Compressor, 12 Year Parts Warranty when registered within 60 days of installation in a residence, and installed by a Fujitsu Elite contractor

**ACCESSORIES**

UTY-RNRUZ4	Wired Remote Control
UTY-RSRY	Simple Remote Control
UTY-LBTUM	IR receiver kit with wireless remote controller
UTY-TTRX	Third Party Thermostat Adapter
UTY-TFSXZ2	WiFi Module
UTY-XCSX	External Input and Output PCB
UTY-XSZX	Remote Sensor

Due to continuous product improvements, specifications are subject to change without notice. Please log in to the Fujitsu Portal for the most up-to-date documentation <https://portal.fujitsugeneral.com>

**Inverter Driven Heat Pump** **30,000 BTU Multi Position AHU**

FAN DATA			
Indoor Unit Airflow Rate	Cooling	High	870
		Medium	730
		Low	590
		Quiet	310
	Heating	High	870
		Medium	730
		Low	590
		Quiet	310
Outdoor Unit Airflow Rate	Cooling	2,119 (3,600)	
	Heating	2,119 (3,600)	
SOUND PRESSURE			
Indoor Unit	Cooling	High	42
		Medium	37
		Low	33
		Quiet	28
	Heating	High	39
		Medium	36
		Low	32
		Quiet	25
Outdoor Unit	Cooling	53	
	Heating	55	
REFRIGERANT			
Type			410A
Charge	lb oz		4lb 10oz
	g		2,100
Oil Type			POE (RB68)

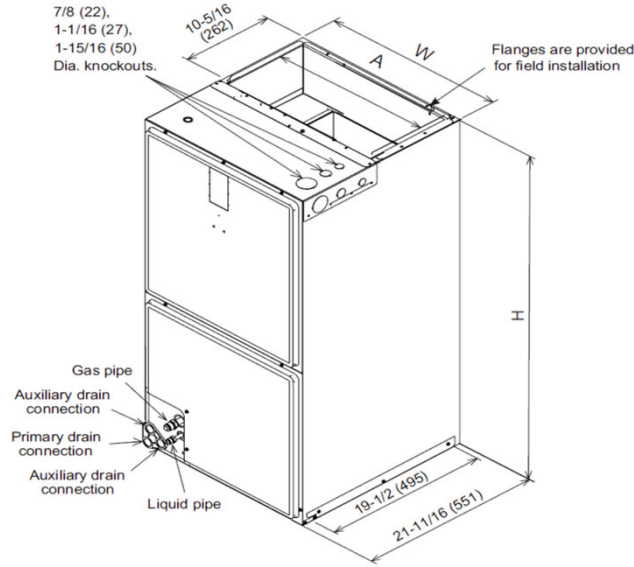
ELECTRICAL SPECIFICATIONS				
Voltage/Frequency/Phase		208-230V/60Hz/1		
Voltage Range		187—253 V		
Current	Cooling	Rated	A	13.0
	Heating	Rated		13.3
Maximum Operating Current		Cooling		15.6
Starting Current		Heating		16.1
MCA		20.8		
Maximum Circuit Breaker		30		
Input Power	Cooling	Rated	kW	2.97
		Min.—Max.		0.61 - 3.41
Heating	Rated	3.02		
	Min.—Max.	0.57 - 4.16		
Power Factor	Cooling	%	99.2	
	Heating		98.7	
OTHER				
Moisture Removal		pints/h (L/h)	7.2 (3.4)	
Energy Star		No		
Drain hose	Material	PVC		
	Size	in (mm)	Ø 3/4 (19) [O.D.]	
Operation Range	Cooling	°F (°C)	64 to 90 (18 to 32)	
	Heating	%RH	80 or less	
Static Pressure Range		°F (°C)	60 to 86 (16 to 30)	
		in. WG	0-1.0	
		Pa	20-250	

The Fujitsu logo is a worldwide trademark of Fujitsu General Limited. The Halcyon logo and name is a worldwide trademark of Fujitsu General Limited and is a registered trademark in Japan, the USA and other countries or areas. Copyright 2020 Fujitsu General America, Inc. Fujitsu's products are subject to continuous improvements. Fujitsu reserves the right to modify product design, specifications and information in this brochure without notice and without incurring any obligations.

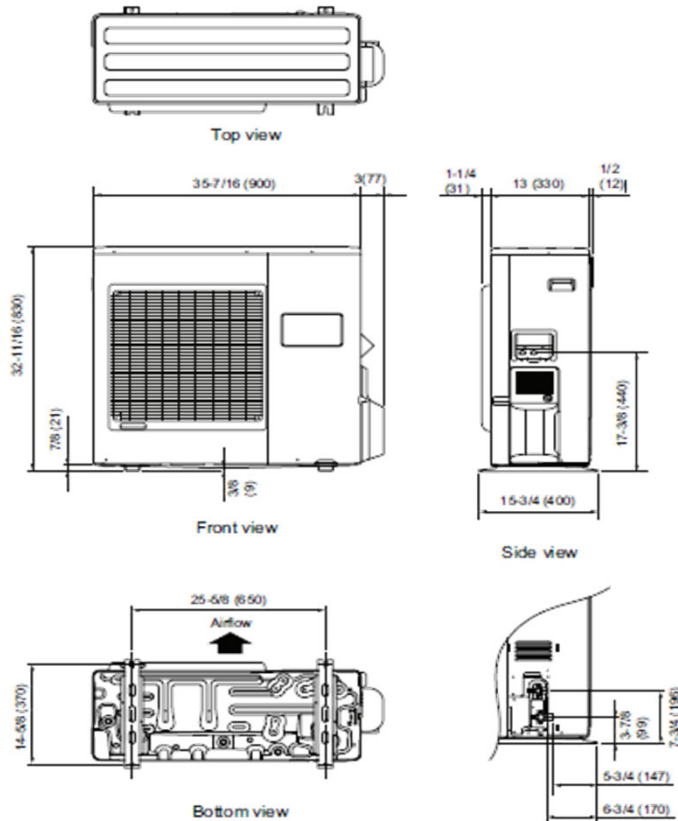
Note: Specifications are based on the following conditions:  
 Cooling: Indoor temperature of 80°F (26.7°C) DB/67°F (19.4°C) WB, and outdoor temperature of 95°F (35°C) DB/75°F (23.9°C) WB. Heating: Indoor temperature of 70°F (21.1°C) DB/60°F (15.6°C) WB, and outdoor temperature of 47°F (8.3°C) DB/43°F (6.1°C) WB. Pipe length: 25ft. (7.5m), Height difference: 0ft. (0m) (Outdoor unit – indoor unit).

**DIMENSIONS**

Unit: in (mm)



Model	A (Supply duct)	W (Unit width)	H (Unit height)
AMUG30LMAS	19-1/2 (495)	21 (533)	42-1/2 (1,080)



The Fujitsu logo is a worldwide trademark of Fujitsu General Limited. The Halcyon logo and name is a worldwide trademark of Fujitsu General Limited and is a registered trademark in Japan, the USA and other countries or areas. Copyright 2020 Fujitsu General America, Inc. Fujitsu's products are subject to continuous improvements. Fujitsu reserves the right to modify product design, specifications and information in this brochure without notice and without incurring any obligations.

Note: Specifications are based on the following conditions:  
 Cooling: Indoor temperature of 80°F (26.7°C) DB/67°F (19.4°C) WB, and outdoor temperature of 95°F (35°C) DB/75°F (23.9°C) WB. Heating: Indoor temperature of 70°F (21.1°C) DB/60°F (15.6°C) WB, and outdoor temperature of 47°F (8.3°C) DB/43°F (6.1°C) WB. Pipe length: 25ft. (7.5m), Height difference: 0ft. (0m) (Outdoor unit – indoor unit).