

Inverter Driven Heat Pump

12,000 BTU Single Zone Wall Mounted System

Job Name _____
 Location _____
 Engineer _____
 Submitted To _____
 Submitted By _____
 Reference _____

Date _____
 Approval _____
 Construction _____
 Unit No _____
 Drawing No _____

PRODUCT FEATURES

- Auto Changeover
- Weekly & 24 hr. Timer
- Auto Louver
- Minimum Heat Mode
- Auto Restart
- Economy Mode
- Energy Saving Program (ESP)
- Wireless Remote control
- Outdoor Unit Low Noise Schedule



MODEL NUMBERS

Indoor Unit	ASUH12LPAS
Outdoor Unit	AOUH12LPAS1
System	12LPAS1

EFFICIENCIES

SEER	20	
EER	11	
HSPF	11	
COP	kW/kW	3.73
	BTU/hW	12.70

OUTDOOR TEMPERATURE OPERATION RANGE

Cooling	°F(°C)	14 to 115 (-10 to 46)
Heating		5 to 75 (-15 to 24)

CAPACITIES

Cooling	Rated	BTU/hW	12,000
	Min.-Max.		3,400 - 12,700
Heating	Rated		14,000
	Min.-Max.		3,100 - 17,000

LINESET REQUIREMENTS

Connection Method	Flare	
Liquid	in (mm)	Ø 1/4 (Ø 6.35)
Gas		Ø 3/8 (Ø 9.52)
Pre-Charge Length	ft (m)	49 (15)
Minimum Length		16 (5)
Maximum Length		66 (20)
Max. Height Diff.		49 (15)

INDOOR DIMENSIONS & WEIGHT

Net (H x W x D)	in	10-5/8 x 32-13/16 x 8-3/4
	mm	270 x 834 x 222
Gross (H x W x D)	in	10-7/8 x 36 x 13-1/16
	mm	277 x 914 x 332
Net Weight	lb (kg)	22 (10.0)
Gross Weight		29 (13.0)

OUTDOOR DIMENSIONS & WEIGHT

Net (H x W x D)	in	21-5/16 x 31-7/16 x 11-7/16
	mm	542 x 799 x 290
Gross (H x W x D)	in	23-11/16 x 37 x 14-3/4
	mm	602 x 940 x 375
Net Weight	lb (kg)	68 (31)
Gross Weight		75 (34)



Indoor Unit ETL#: 91987
 Outdoor Unit ETL#: 91987

Effective Date: 7/28/2021

Warranty Information



7 Year Compressor, 5 Year Parts out-of-the-box Warranty



10 Year Compressor, 10 Year Parts Warranty when registered within 60 days of installation in a residence



12 Year Compressor, 12 Year Parts Warranty when registered within 60 days of installation in a residence, and installed by a Fujitsu Elite contractor

ACCESSORIES

UTY-RNRUZ5	Wired Remote Controller (Touch Panel)
UTY-RSRY	Simple Remote Control
UTY-RHRV	Simple Remote Control (Hospitality)
UTY-XWZXZ5	Dry Contact Wire Kit
UTY-TTRX	3rd Party Thermostat Converter
UTY-TWRXZ2	Communication Kit
UTY-TFSXF1	WIFI Module



This system combination is Energy Star qualified



+App available in Apple® App Store and Google® Play Store.

Due to continuous product improvements, specifications are subject to change without notice. Please log in to the Fujitsu Portal for the most up-to-date documentation <https://portal.fujitsugeneral.com>

Inverter Driven Heat Pump

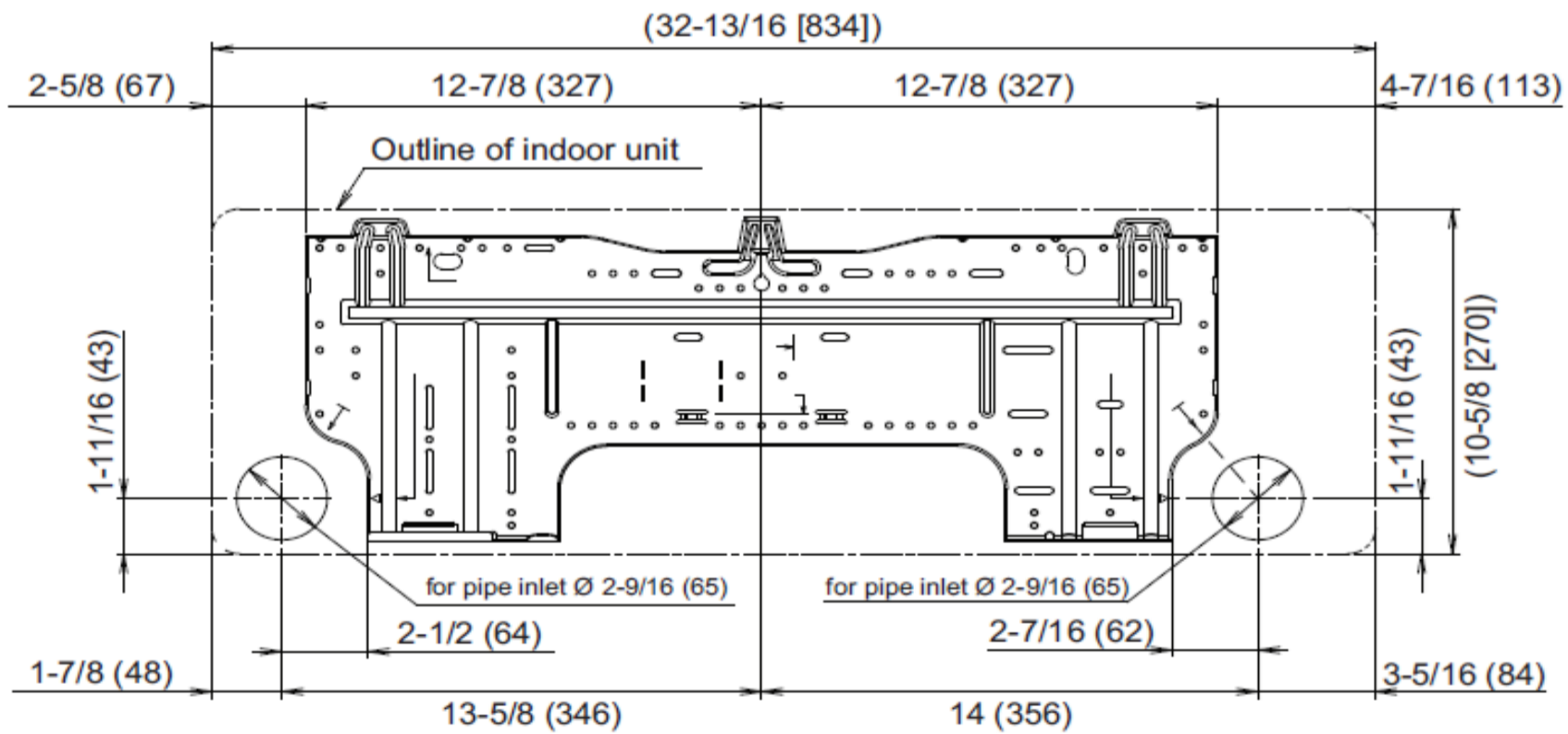
12,000 BTU Single Zone Wall Mounted System

FAN DATA				
Indoor Unit Airflow Rate	Cooling	High	CFM (m3/h)	453 (770)
		Medium		353 (600)
		Low		265 (450)
		Quiet		147 (250)
	Heating	High		453 (770)
		Medium		377 (640)
		Low		306 (520)
		Quiet		182 (310)
Outdoor Unit Airflow Rate	Cooling		989 (1,680)	
	Heating		989 (1,680)	
SOUND PRESSURE				
Indoor Unit	Cooling	High	dB (A)	43
		Medium		36
		Low		30
		Quiet		19
	Heating	High		43
		Medium		38
		Low		33
		Quiet		21
Outdoor Unit	Cooling		47	
	Heating		48	
REFRIGERANT				
Type				R410A
Charge	lb oz			2 lb 2 oz
	kg			950
Oil Type				RB68A

ELECTRICAL SPECIFICATIONS				
Voltage/Frequency/Phase			208/230 V / 1Ø / 60Hz	
Voltage Range			187-253V~60HZ	
Current	Cooling	Rated	A	4.9
	Heating	Rated		4.9
Maximum Operating Current		Cooling		6.9
		Heating		7.9
Starting Current			4.9	
MCA			9.7	
Maximum Circuit Breaker			15	
Input Power	Cooling	Rated	kW	1.09
		Min.-Max.		0.14 - 1.33
Heating	Rated	1.1		
	Min.-Max.	0.14-1.61		
Power Factor	Cooling		%	96.7
	Heating			97.6
OTHER				
Moisture Removal		pints/h (L/h)	3.8 (1.8)	
Energy Star			Yes	
Drain hose	Material		PP+HDPE	
Size	in (mm)		Ø17/32 (Ø 13.8) (I.D.), Ø19/32 to 21/32 (Ø 15.0 to 16.8) (O.D.)	
Operation Range	Cooling	°F (°C)	64 to 90 (18 to 32)	
		%RH	80 or less	
	Heating	°F (°C)	60 to 86 (16 to 30)	

Wall Bracket Data:

Units: In. (mm)



The Fujitsu logo is a worldwide trademark of Fujitsu General Limited. The Halcyon logo and name is a worldwide trademark of Fujitsu General Limited and is a registered trademark in Japan, the USA and other countries or areas. Copyright 2018 Fujitsu General America, Inc. Fujitsu's products are subject to continuous improvements. Fujitsu reserves the right to modify product design, specifications and information in this brochure without notice and without incurring any obligations.

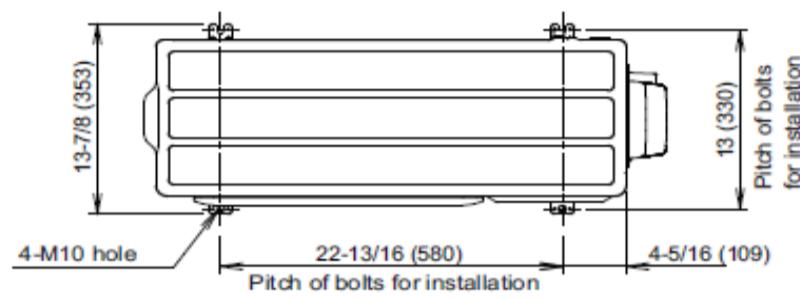
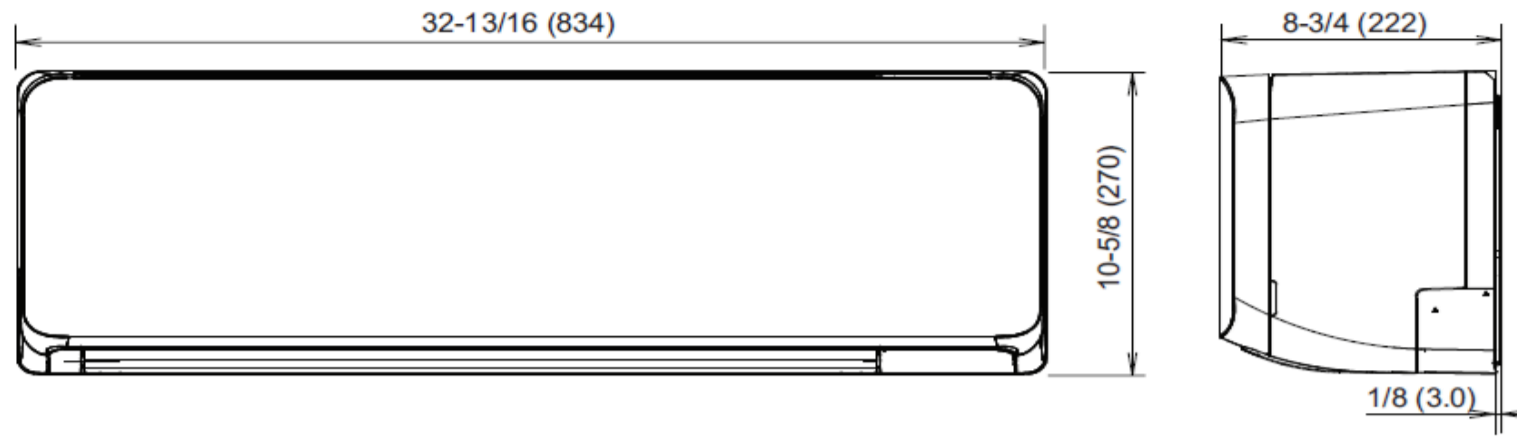
Note: Specifications are based on the following conditions:
 Cooling: Indoor temperature of 80°F (26.7°C) DB/67°F (19.4°C) WB, and outdoor temperature of 95°F (35°C) DB/75°F (23.9°C) WB. Heating: Indoor temperature of 70°F (21.1°C) DB/60°F (15.6°C) WB, and outdoor temperature of 47°F (8.3°C) DB/43°F (6.1°C) WB. Pipe length: 25ft. (7.5m), Height difference: 0ft. (0m) (Outdoor unit - indoor unit).

Inverter Driven Heat Pump

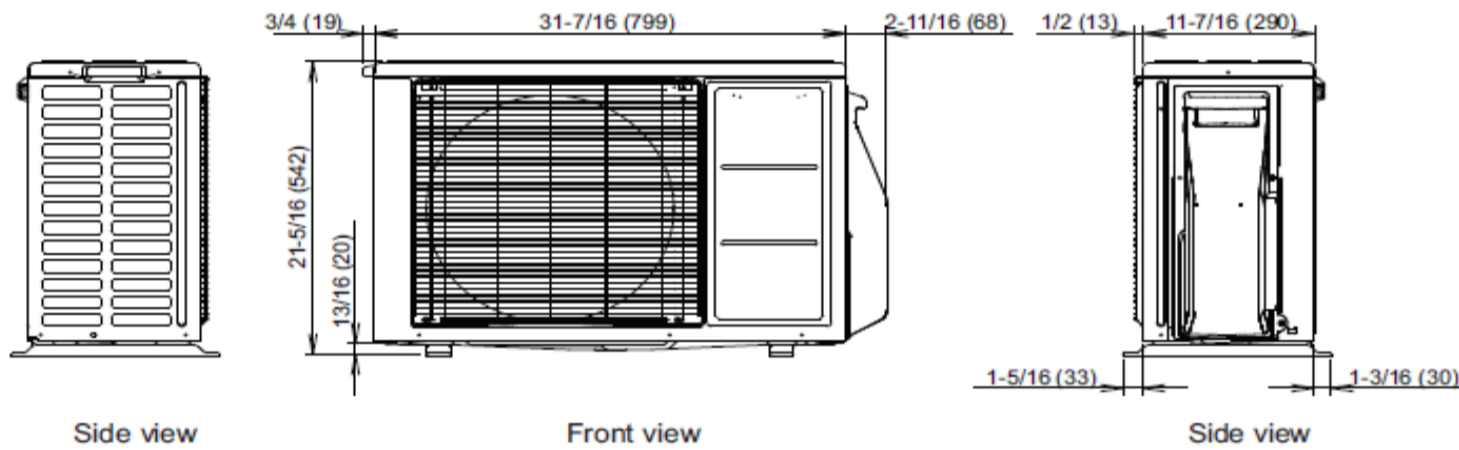
12,000 BTU Single Zone Wall Mounted System

DIMENSIONS

Units: In. (mm)



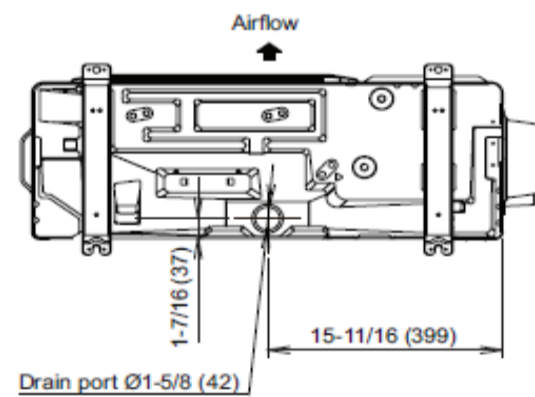
Top view



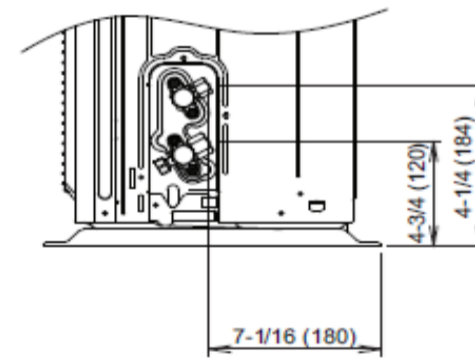
Side view

Front view

Side view



Bottom view



Side view (Valve part)

The Fujitsu logo is a worldwide trademark of Fujitsu General Limited. The Halcyon logo and name is a worldwide trademark of Fujitsu General Limited and is a registered trademark in Japan, the USA and other countries or areas. Copyright 2018 Fujitsu General America, Inc. Fujitsu's products are subject to continuous improvements. Fujitsu reserves the right to modify product design, specifications and information in this brochure without notice and without incurring any obligations.

Note: Specifications are based on the following conditions:
 Cooling: Indoor temperature of 80°F (26.7°C) DB/67°F (19.4°C) WB, and outdoor temperature of 95°F (35°C) DB/75°F (23.9°C) WB. Heating: Indoor temperature of 70°F (21.1°C) DB/60°F (15.6°C) WB, and outdoor temperature of 47°F (8.3°C) DB/43°F (6.1°C) WB. Pipe length: 25ft. (7.5m), Height difference: 0ft. (0m) (Outdoor unit - indoor unit).