



A CSW Industrials Company

All-Access® AA1 Cleanout

Condensate Cleanout Device
Product Code **83410**

Project Information:

Job Name: _____

Location: _____

Engineer: _____

Submitted to: _____

For: Reference Approval Construction

Submitted by: _____

Reference: _____

Submittal Information:

Approval: _____

Date: _____

Construction: _____

Unit #: _____

Drawing #: _____

(Sec. I) Ordering Information:

Product Code 83410
Model AA1
Carton Qty 48
Carton Weight 19 lbs

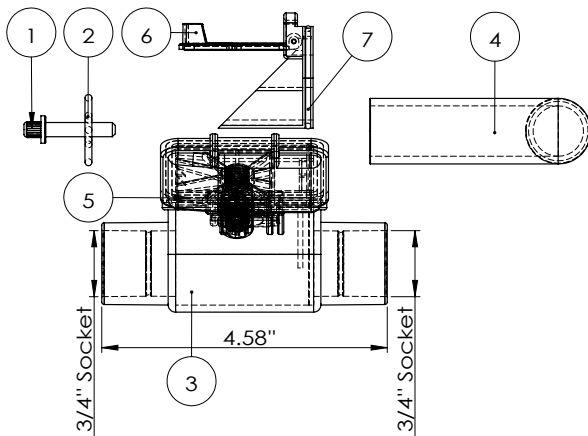
(Sec. II) Product Specifications:

PVC Plastic Components
US Patent No. 8,967,183

(Fig. I) Product Image:



(Fig. II) Component List:



1. Flapper Closer Tool
2. Rubber Band
3. Plastic Body
4. Cleanout Tool
5. Top Lid with Schrader Valve
6. Flapper
7. Flapper Holder

RectorSeal® 2601 Spenwick Drive - Houston, TX 77055 800-231-3345 rectorseal.com