

**Inverter Driven Heat Pump**

**15,000 BTU Single Zone High SEER Wall Mounted System**

Job Name \_\_\_\_\_  
 Location \_\_\_\_\_  
 Engineer \_\_\_\_\_  
 Submitted To \_\_\_\_\_  
 Submitted By \_\_\_\_\_  
 Reference \_\_\_\_\_

Date \_\_\_\_\_  
 Approval \_\_\_\_\_  
 Construction \_\_\_\_\_  
 Unit No \_\_\_\_\_  
 Drawing No \_\_\_\_\_

**PRODUCT FEATURES**

- Auto Changeover
- Weekly & 24 hr. Timer
- Auto Louver: 4 way
- Minimum Heat Mode
- Built in WiFi
- Auto Restart
- Economy Mode
- Energy Saving Program(ESP)
- Wireless Remote control
- Outdoor Unit Low Noise Schedule



**MODEL NUMBERS**

Indoor Unit	ASUG15LZAS
Outdoor Unit	AOUG15LZAS1
System	15LZAS1

**EFFICIENCIES**

SEER	25.3
EER	13.9
HSPF	13.4
COP	15.7

**OUTDOOR TEMPERATURE OPERATION RANGE**

Cooling	*F(*C)	14 to 115 (-10 to 46)
Heating		-5 to 75 (-21 to 24)

**CAPACITIES**

	Rated	BTU/hw	
Cooling	Min.-Max.		14,500
			3,100-18,400
Heating	Rated		18,000
	Min.-Max.		3,100-23,900

**LINESET REQUIREMENTS**

Connection Method		Flare
Liquid	in (mm)	Ø 1/4 (Ø 6.35)
		Ø 1/2 (Ø 12.7)
Pre-Charge Length	ft (m)	49 (15)
Minimum Length		10 (3)
Maximum Length		66 (20)
Max. Height Diff.		49 (15)

**INDOOR DIMENSIONS & WEIGHT**

Net (H x W x D)	in	11 x 38-9/16 x 9-7/16
	mm	280 x 980 x 240
Gross (H x W x D)	in	12- 11/16 x 42- 7/16 x 13- 10/16
	mm	322 x 1078 x 346
Net Weight	lb (kg)	29 (13)
Gross Weight		37 (17)

**OUTDOOR DIMENSIONS & WEIGHT**

Net (H x W x D)	in	24-7/8 x 31-7/16 x 11-7/16
	mm	632 x 799 x 290
Gross (H x W x D)	in	27- 4/16 x 37 x 14- 12/16
	mm	692 x 940 x 375
Net Weight	lb (kg)	86 (39)
Gross Weight		95 (43)



Indoor Unit ETL#: 91987  
 Outdoor Unit ETL#: 91987

**Warranty Information**



7 Year Compressor, 5 Year Parts out-of-the-box Warranty



10 Year Compressor, 10 Year Parts Warranty when registered within 60 days of installation in a residence



12 Year Compressor, 12 Year Parts Warranty when registered within 60 days of installation in a residence, and installed by a Fujitsu Elite contractor

**ACCESSORIES**

UTY-TTRX	3rd Party Thermostat Converter
UTY-TWRXZ2	Interface Kit
UTY-RNRUZ2	Wired Remote Controller (Touch Panel)
UTY-RSRY	Simple Remote Control
UTY-RHRY	Simple Remote Control (Hospitality)
UTY-XWZXZ5	Dry Contact Wire Kit



This system combination is Energy Star qualified



+App available in  
 Apple® App Store and  
 Google® Play Store.

Due to continuous product improvements, specifications are subject to change without notice. Please log in to the Fujitsu Portal for the most up-to-date documentation <https://portal.fujitsugeneral.com>

**Inverter Driven Heat Pump**

**15,000 BTU Single Zone High SEER Wall Mounted System**

**FAN DATA**

Indoor Unit Airflow Rate	Cooling	High	CFM (m3/h)	583 (996)
		Medium		459 (780)
		Low		312 (530)
		Quiet		241 (410)
	Heating	High	583 (996)	
		Medium	459 (780)	
		Low	312 (530)	
		Quiet	241 (410)	
Outdoor Unit Airflow Rate	Cooling		1218 (2,070)	
	Heating		1348 (2,290)	

**SOUND PRESSURE**

Indoor Unit	Cooling	High	dB (A)	45
		Medium		40
		Low		32
		Quiet		26
	Heating	High	45	
		Medium	39	
		Low	32	
		Quiet	26	
Outdoor Unit	Cooling		49	
	Heating		50	

**REFRIGERANT**

Type	R410A		
Charge	lb oz	2lb 16oz	
	kg	1	
Oil Type	POE (RB68)		

**ELECTRICAL SPECIFICATIONS**

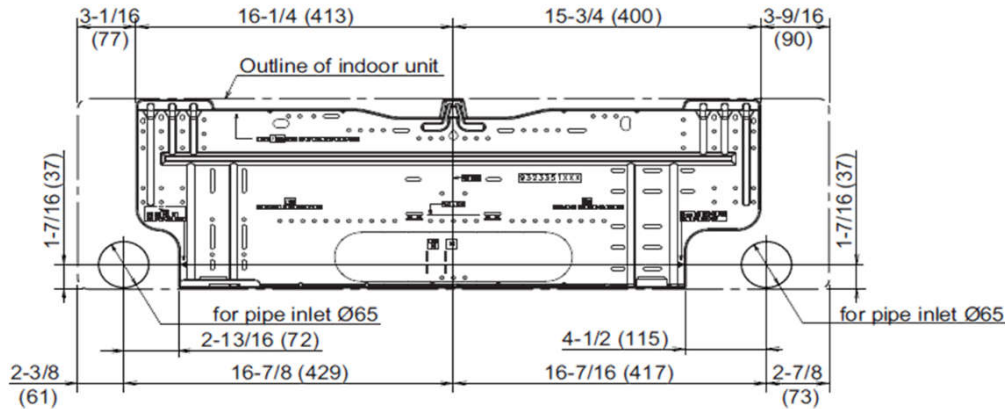
Voltage/Frequency/Phase		208/230 V / 1Ø / 60Hz	
Voltage Range		187-253V-60HZ	
Current	Cooling	Rated	4.8
	Heating	Rated	5.2
Maximum Operating Current	Cooling	A	9.9
	Heating		13.4
Starting Current		5.2	
MCA		16.5	
Maximum Circuit Breaker		20	
Input Power	Cooling	Rated	1.04
	Heating	Min.-Max.	0.15-1.56
Power Factor		Cooling	Rated
	Heating	Min.-Max.	0.15-2.19
Power Factor	Cooling	%	94
	Heating		96

**OTHER**

Moisture Removal	pints/h (L/h)	4 (1.9)
Energy Star		Yes
Drain hose	Material	PP+LLDPE
Size	in (mm)	Ø 17/32 (Ø 13.8) (I.D.) Ø 5/8 to Ø 21/32 (Ø 15.8 to Ø 16.7) (O.D.)
	Operation Range	Cooling °F (°C) 64 to 90 (18 to 32)
	Heating °F (°C)	80 or less

**Wall Bracket Data:**

Units: In. (mm)

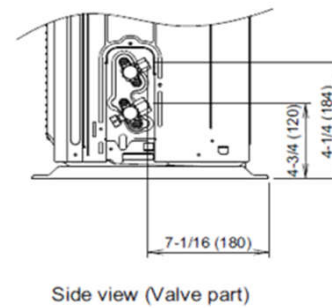
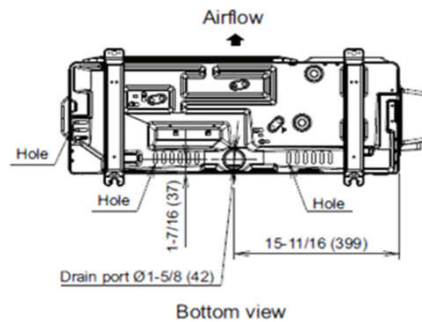
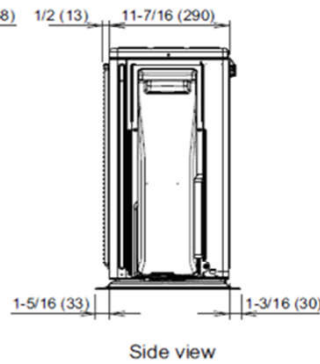
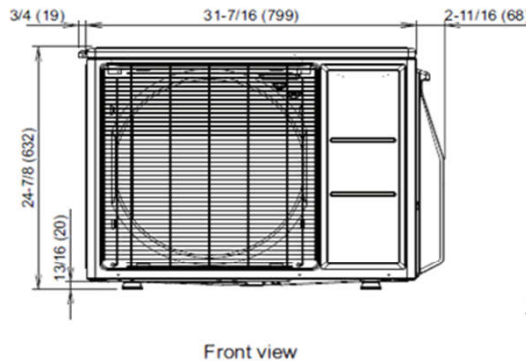
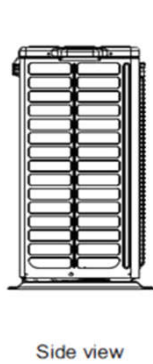
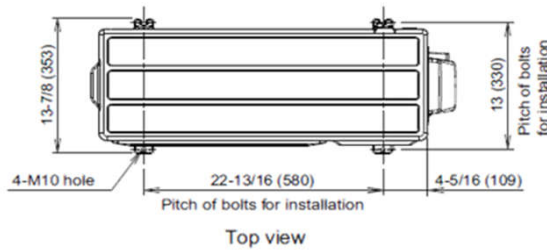
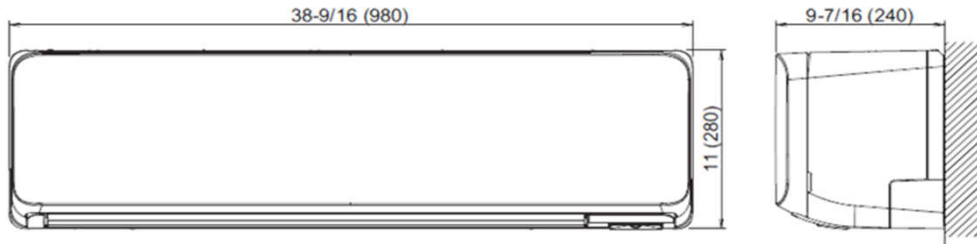


The Fujitsu logo is a worldwide trademark of Fujitsu General Limited. The Halcyon logo and name is a worldwide trademark of Fujitsu General Limited and is a registered trademark in Japan, the USA and other countries or areas. Copyright 2018 Fujitsu General America, Inc. Fujitsu's products are subject to continuous improvements. Fujitsu reserves the right to modify product design, specifications and information in this brochure without notice and without incurring any obligations.

Note: Specifications are based on the following conditions:  
 Cooling: Indoor temperature of 80°F (26.7°C) DB/67°F (19.4°C) WB, and outdoor temperature of 95°F (35°C) DB/75°F (23.9°C) WB. Heating: Indoor temperature of 70°F (21.1°C) DB/60°F (15.6°C) WB, and outdoor temperature of 47°F (8.3°C) DB/43°F (6.1°C) WB. Pipe length: 25ft. (7.5m), Height difference: 0ft. (0m) (Outdoor unit – indoor unit).

DIMENSIONS

Units: In. (mm)



The Fujitsu logo is a worldwide trademark of Fujitsu General Limited. The Halcyon logo and name is a worldwide trademark of Fujitsu General Limited and is a registered trademark in Japan, the USA and other countries or areas. Copyright 2018 Fujitsu General America, Inc. Fujitsu's products are subject to continuous improvements. Fujitsu reserves the right to modify product design, specifications and information in this brochure without notice and without incurring any obligations.

Note: Specifications are based on the following conditions:  
 Cooling: Indoor temperature of 80°F (26.7°C) DB/67°F (19.4°C) WB, and outdoor temperature of 95°F (35°C) DB/75°F (23.9°C) WB. Heating: Indoor temperature of 70°F (21.1°C) DB/60°F (15.6°C) WB, and outdoor temperature of 47°F (8.3°C) DB/43°F (6.1°C) WB. Pipe length: 25ft. (7.5m), Height difference: 0ft. (0m) (Outdoor unit - indoor unit).