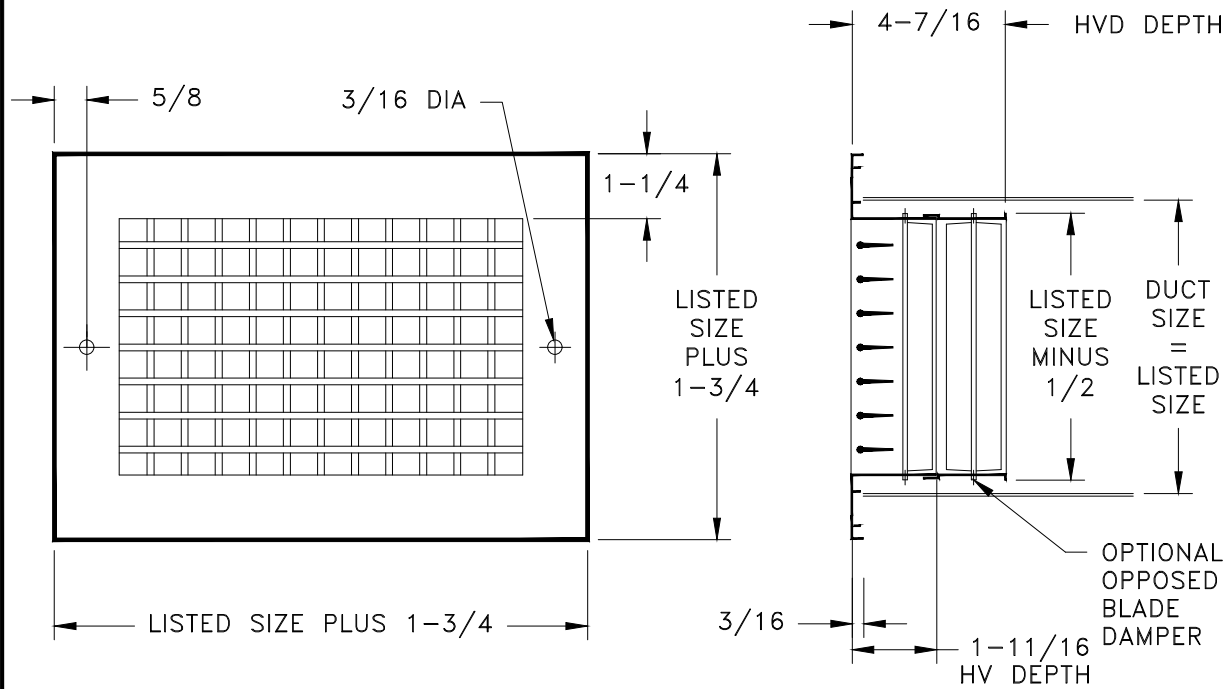


- EXTRUDED ALUMINUM CONSTRUCTION
- STYLES WITH FRONT BANK HORIZONTAL:
HV DOUBLE DEFLECTION GRILLE
HVD DOUBLE DEFLECTION WITH DAMPER
- BARS ARE ON 3/4 INCH CENTERS AND INDIVIDUALLY ADJUSTABLE
- CHANNEL BRACE IS ADDED WHEN EITHER DIMENSION IS 48 INCHES OR OVER
- SCREW HOLE LOCATIONS STANDARD UNLESS OTHER WISE SPECIFIED
- FOR SCREW HOLE LOCATIONS SEE SD-9140
- MINIMUM SIZE: 6 X 4
- MAXIMUM SIZE: 72 X 48 OR 48 X 96 ONE PIECE CONSTRUCTION
- AVAILABLE IN 1 INCH INCREMENTS
- FINISH: WHITE (W) ENAMEL OR SATIN ANODIZED (SA)
- Z-FRAME AVAILABLE SPECIAL ORDER ONLY



JOB NAME: _____
 LOCATION: _____
 ARCHITECT: _____
 ENGINEER: _____
 CONTRACTOR: _____

SUBMITTED BY: _____

DATE: 09/06/2022 | SD-9110

H SERIES

Extruded Aluminum Grilles And Registers Adjustable Horizontal And Vertical Face Bars