

Inverter Driven Heat Pump

36,000 BTU Single Zone Wall Mounted System

Job Name _____
 Location _____
 Engineer _____
 Submitted To _____
 Submitted By _____
 Reference _____

Date _____
 Approval _____
 Construction _____
 Unit No _____
 Drawing No _____

PRODUCT FEATURES

- Auto Changeover
- Weekly & 24 hr. Timer
- Auto Louver
- Minimum Heat Mode
- Auto Restart
- Economy Mode
- Wireless Remote control



MODEL NUMBERS	
Indoor Unit	ASUH36LPAS
Outdoor Unit	AOUH36LPAS1
System	36LPAS1

EFFICIENCIES		
SEER	18	
EER	8.1	
HSPF	11	
COP	kW/kW	3.21
	BTU/hW	11.00

OUTDOOR TEMPERATURE OPERATION RANGE	
Cooling	14 to 115 (-10 to 46) °F(°C)
Heating	5 to 75 (-15 to 24) °F(°C)

CAPACITIES			
Cooling	Rated	BTU/hW	33,000
	Min.-Max.		9,900 - 34,100
Heating	Rated	BTU/hW	34,000
	Min.-Max.		8,700 - 35,000

LINESET REQUIREMENTS		
Connection Method		Flare
Liquid	in (mm)	Ø3/8 (Ø9.52)
		Gas
Pre-Charge Length	ft (m)	
Minimum Length		66 (20)
Maximum Length		164 (50)
Max. Height Diff.		98 (30)

INDOOR DIMENSIONS & WEIGHT		
Net (H x W x D)	in	13-3/8 x 45-1/4 x 11
	mm	340 x 1,150 x 280
Gross (H x W x D)	in	15-15/16 x 50 x 17-11/16
	mm	405 x 1,270 x 450
Net Weight	lb (kg)	39 (17.5)
Gross Weight		51 (23.0)

OUTDOOR DIMENSIONS & WEIGHT		
Net (H x W x D)	in	31 x 37 x 12-5/8
	mm	788 x 940 x 320
Gross (H x W x D)	in	38-1/16 x 40-7/16 x 17-1/2
	mm	966 x 1,027 x 445
Net Weight	lb (kg)	117 (53)
Gross Weight		134 (61)

Warranty Information



7 Year Compressor, 5 Year Parts out-of-the-box Warranty



10 Year Compressor, 10 Year Parts Warranty when registered within 60 days of installation in a residence



12 Year Compressor, 12 Year Parts Warranty when registered within 60 days of installation in a residence, and installed by a Fujitsu Elite contractor

ACCESSORIES

UTY-RNRUZ*	Wired Remote Controller (Touch Panel)
UTY-RSRY	Simple Remote Control
UTY-RHRY	Simple Remote Control (Hospitality)
UTY-XWZXZ5	Dry Contact Wire Kit
UTY-TTRXZ1	24V Thermostat Interface
UTY-TWRXZ2	Communication Kit
UTY-TFSXF1	WiFi Module
UTY-VMSX	Modbus Converter
FJ-AC-BAC-1L	BACnet Adapter



This system combination is Energy Star qualified



+App available in Apple® App Store and Google® Play Store.

Due to continuous product improvements, specifications are subject to change without notice. Please log in to the Fujitsu Portal for the most up-to-date documentation <https://portal.fujitsugeneral.com>



Indoor Unit ETL#: 91987
 Outdoor Unit ETL#: 91987

Effective Date: 1/13/2022 Revision 1

Inverter Driven Heat Pump **36,000 BTU Single Zone Wall Mounted System**

FAN DATA

Indoor Unit Airflow Rate	Cooling	High	CFM (m3/h)	812 (1,380)
		Medium		665 (1,130)
		Low		536 (910)
		Quiet		418 (710)
	Heating	High	8812 (1,380)	
		Medium	665 (1,130)	
		Low	536 (910)	
		Quiet	418 (710)	
Outdoor Unit Airflow Rate	Cooling		2,187 (3,715)	
	Heating		2,187 (3,715)	

SOUND PRESSURE

Indoor Unit	Cooling	High	dB (A)	50
		Medium		45
		Low		38
		Quiet		32
	Heating	High	49	
		Medium	44	
		Low	38	
		Quiet	32	
Outdoor Unit	Cooling		53	
	Heating		54	

REFRIGERANT

Type	R410A		
Charge	lb oz	4 lb 10 oz	
	kg	2.100	
Oil Type	RB68		

ELECTRICAL SPECIFICATIONS

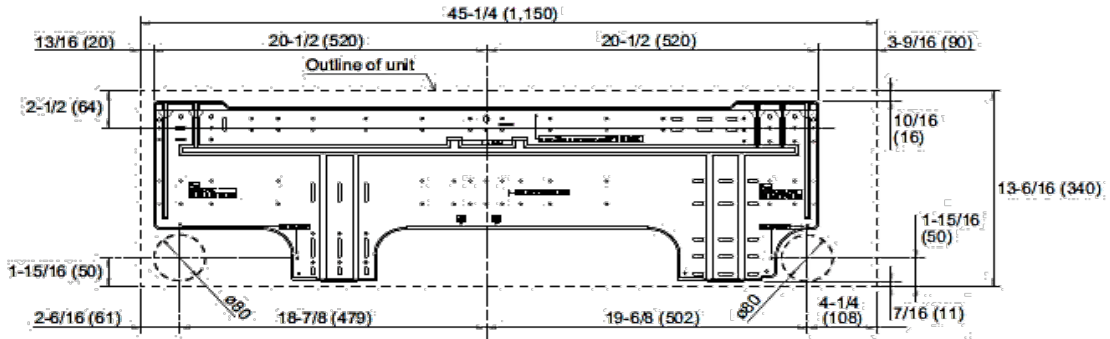
Voltage/Frequency/Phase		208/230 V / 1Ø / 60Hz	
Voltage Range		187-253V-60HZ	
Current	Cooling	Rated	17.8
	Heating	Rated	13.5
Maximum Operating Current	Cooling	A	18.9
	Heating		18.9
Starting Current			17.8
MCA			23.4
Maximum Circuit Breaker			30
Input Power	Cooling	Rated Min.-Max.	kW
	Heating	Rated Min.-Max.	
Power Factor	Cooling		%
	Heating		

OTHER

Moisture Removal	pints/h (L/h)	10.4 (4.8)	
Energy Star		Yes	
Drain hose	Material	PP+HDPE	
Size	in (mm)	Ø17/32 (Ø 13.8) (I.D.), Ø19/32 to 21/32 (Ø 15.0 to 16.8) (O.D.)	
Operation Range	Cooling	°F (°C)	64 to 90 (18 to 32)
		%RH	80 or less
	Heating	°F (°C)	86 or less (30 or less)

Wall Bracket Data:

Units: In. (mm)



The Fujitsu logo is a worldwide trademark of Fujitsu General Limited. The Halcyon logo and name is a worldwide trademark of Fujitsu General Limited and is a registered trademark in Japan, the USA and other countries or areas. Copyright 2022 Fujitsu General America, Inc. Fujitsu's products are subject to continuous improvements. Fujitsu reserves the right to modify product design, specifications and information in this brochure without notice and without incurring any obligations.

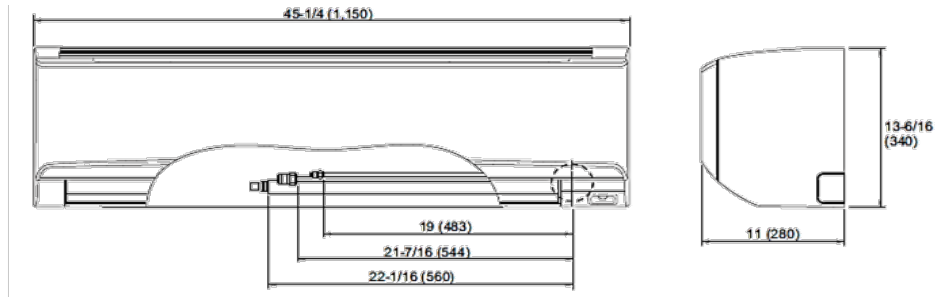
Note: Specifications are based on the following conditions:
 Cooling: Indoor temperature of 80°F (26.7°C) DB/67°F (19.4°C) WB, and outdoor temperature of 95°F (35°C) DB/75°F (23.9°C) WB. Heating: Indoor temperature of 70°F (21.1°C) DB/60°F (15.6°C) WB, and outdoor temperature of 47°F (8.3°C) DB/43°F (6.1°C) WB. Pipe length: 25ft. (7.5m), Height difference: 0ft. (0m) (Outdoor unit – indoor unit).

Inverter Driven Heat Pump

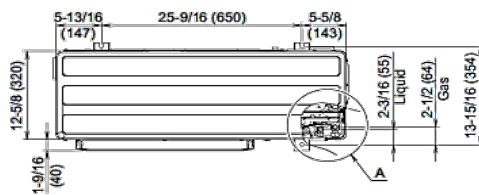
36,000 BTU Single Zone Wall Mounted System

DIMENSIONS

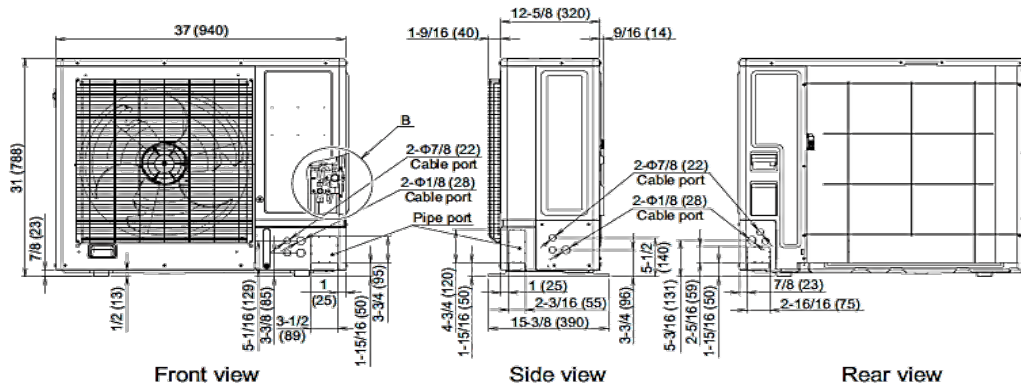
Units: In. (mm)



Outdoor Unit:



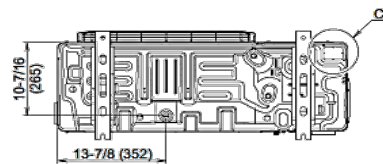
Top view



Front view

Side view

Rear view



Bottom view

The Fujitsu logo is a worldwide trademark of Fujitsu General Limited. The Halcyon logo and name is a worldwide trademark of Fujitsu General Limited and is a registered trademark in Japan, the USA and other countries or areas. Copyright 2022 Fujitsu General America, Inc. Fujitsu's products are subject to continuous improvements. Fujitsu reserves the right to modify product design, specifications and information in this brochure without notice and without incurring any obligations.

Note: Specifications are based on the following conditions:
 Cooling: Indoor temperature of 80°F (26.7°C) DB/67°F (19.4°C) WB, and outdoor temperature of 95°F (35°C) DB/75°F (23.9°C) WB. Heating: Indoor temperature of 70°F (21.1°C) DB/60°F (15.6°C) WB, and outdoor temperature of 47°F (8.3°C) DB/43°F (6.1°C) WB. Pipe length: 25ft. (7.5m), Height difference: 0ft. (0m) (Outdoor unit - indoor unit).