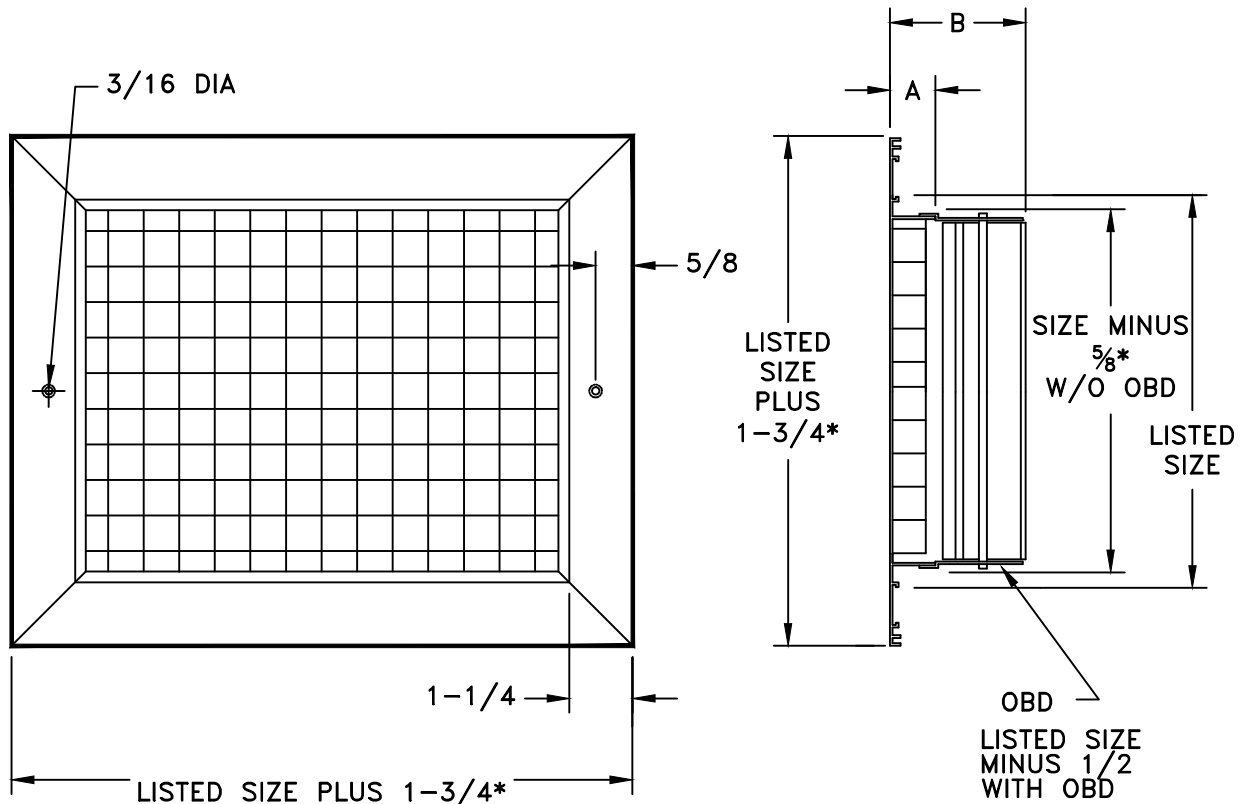
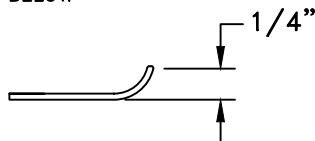


- EXTRUDED ALUMINUM CONSTRUCTION
- MINIMUM SIZE: 6 X 4
- MAXIMUM SIZE: 48 X 48
- FINISH: WHITE (W) ENAMEL OR MILL



RED5 REGISTER

*NOTE: RE5 SIZES 6x6, 8x8 10x10, 12x12, 14x14 W/O OBD ARE SIZE PLUS 1-5/8" ON FACE AND SIZE MINUS 7/16" ON CORE AND HAVE THE BEVEL EDGE SHOWN BELOW



MODEL	GRID CORE DIMENSIONS	A	B
RE5	1/2x1/2x1/2	1-1/4	2-1/2
RE510	1/2x1/2x1	1-1/4	2-15/16
RE1	1x1x1	1-1/4	2-15/16

JOB NAME: _____
 LOCATION: _____
 ARCHITECT: _____
 ENGINEER: _____
 CONTRACTOR: _____

SUBMITTED BY: _____

DATE: 03/08/2021 SD-9122

RE(D)5, RE(D)510, RE(D)1
 Grid Core
 Extruded Aluminum
 Return
 Grilles And Registers