



# Model 1610 and 1620

Easy Install™ Air Purifiers



Model 1620

Model 1610

**The Aprilaire Easy Install™ air purifier is your key to unlocking added sales revenue.**



**WINNER OF THE SILVER 2015 DEALER DESIGN AWARD FOR IAQ PRODUCTS.**

- ***Faster and easier installation***
- ***Designed for both residential add-on retrofit and new construction.***

- + **Air purifier sales on more calls** – Easily replaces existing 1- and 2-inch filter racks. You can offer more customers superior air purification performance.
- + **Two sizes for use with most upflow systems** –
  - **Model 1610** 16" x 25"
  - **Model 1620** 20" x 25"
- + **Ease of installation** – No need for field-formed transitions. Minimal adjustments to cold air return.
- + **Better equipment protection** – No more frozen compressors or dirty coils and blowers due to neglected, unchanged 1- and 2-inch filters! Offering annual replacement service provides convenience and better protection.
- + **Annual revenue** – Years of protected replacement filter revenue – not sold in retail stores. Upgrade to MERV 16, or MERV 13 by replacing the existing MERV 11 filter.



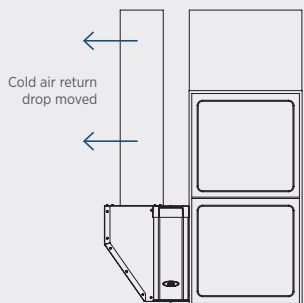
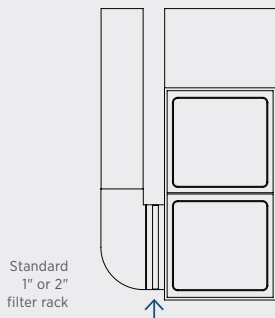
# Now it's easier than ever to put an Aprilaire air purifier on every installation.

Have your technicians look for the following:

- + Upflow furnaces with the return on the right or left
- + A minimum of 17" clearance from the return opening of the HVAC system to the nearest obstacle
- + A minimum of 29" clearance from gas pipes or other obstacles is needed to allow room for routine filter replacement

**Ideal residential service and replacement applications: Virtually any upflow HVAC system with 1" or 2" filter racks.**

Simple adjustments to return drops are all that's required



## Product Benefits

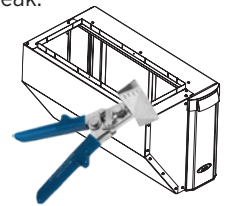
### About an hour to install

- + Built-in duct eliminates field-forming transitions and turning vanes.
- + Fully assembled, only simple sheet metal tools required.

### Adaptable

Easily adjust the return drop opening with a hand break.

*The return drop opening has tabs around the perimeter that can be bent up with a hand break to accommodate return drops 8" x 20" to 10" x 24" in size.*



### Reversible

Right or left side installation—just screw in the blanking plate on the side that's flush with the the back of the air handler.

### Robust design

- + Extremely low leakage (<3 CFM)
- + Low pressure drop (through MERV 11 filter): .04" to .06" @600; .13" to .19" @1400

## FOR DISTRIBUTORS

Model	Unit Weight	Pallet Quantity	Pallet Dimensions (L x W x H)
1610	22 lbs	8	33" x 45" x 71"
1620	31 lbs	8	33" x 53" x 71"