

Inverter Driven Heat Pump
30,000 BTU Single Zone XLTH Wall Mounted System

Job Name _____
 Location _____
 Engineer _____
 Submitted To _____
 Submitted By _____
 Reference _____

Date _____
 Approval _____
 Construction _____
 Unit No _____
 Drawing No _____

PRODUCT FEATURES

- Auto Changeover
- 24 hr. / Weekly Timer
- Auto Louver: Up/Down
- Minimum Heat Mode
- Wireless Remote control
- Auto Restart
- 5F Low Ambient Cooling
- Auto Fan Mode
- Server Room Mode
- Base Pan Heater



Heating down to -15°F outdoor temperatures



MODEL NUMBERS	
Indoor Unit	ASU30RLE
Outdoor Unit	AOU30RLXEH
System	30RLXEH

EFFICIENCIES	
SEER	18.7
EER	12.5
HSPF	11.8
COP	11.7

OUTDOOR TEMPERATURE OPERATION RANGE		
Cooling	°F(°C)	-5 to 115 (-20 to 46)
Heating		-15 to 75(-15to 24)

CAPACITIES			
Cooling	Rated	BTU/hW	30,000
	Min.-Max.		9900-32400
Heating	Rated		32,000
	Min.-Max.		8000-36200

LINESET REQUIREMENTS			
Connection Method			Flare
Liquid	in (mm)	Ø3/8 (Ø9.52)	
		Ø5/8 (Ø15.88)	
Pre-Charge Length	ft (m)	65 (20)	
Minimum Length		16 (5)	
Maximum Length		246 (75)	
Max. Height Diff.		98 (30)	

INDOOR DIMENSIONS & WEIGHT			
Net (H x W x D)	in	13-6/16 x 45-4/16 x 9	
	mm	340 x 1150 x 280	
Gross (H x W x D)	in	17-11/16 x 50 x 15-15/16	
	mm	450 x 1270 x 405	
Net Weight	lb (kg)	40 (18)	
Gross Weight		53 (24)	

OUTDOOR DIMENSIONS & WEIGHT			
Net (H x W x D)	in	50-13/16 x 35-7/16 x 13	
	mm	1,290 x 900 x 330	
Gross (H x W x D)	in	57-1/2 x 41-5/16 x 17-1/2	
	mm	1,460 x 1,050 x 445	
Net Weight	lb (kg)	205 (93)	
Gross Weight		227 (103)	

Warranty Information


7 Year Compressor, 5 Year Parts out-of-the-box Warranty



10 Year Compressor, 10 Year Parts Warranty when registered within 60 days of installation in a residence



12 Year Compressor, 12 Year Parts Warranty when registered within 60 days of installation in a residence, and installed by a Fujitsu Elite contractor

ACCESSORIES

UTY-TTRX	3rd Party Thermostat Converter
UTY-RNRU22	Touch Screen Wired Remote
UTY-RVNUM	Wired Remote
UTY-RSKU	Simple Remote
UTY-XWZX	Dry Contact Wire Kit
FJ-RC-WIFI-1NA	Intesis Wired WiFi Module
FJ-IR-WIFI-1NA	Intesis IR WiFi Module
UTY-TFNXZ2	WiFi Interface Module



This system combination is Energy Star qualified

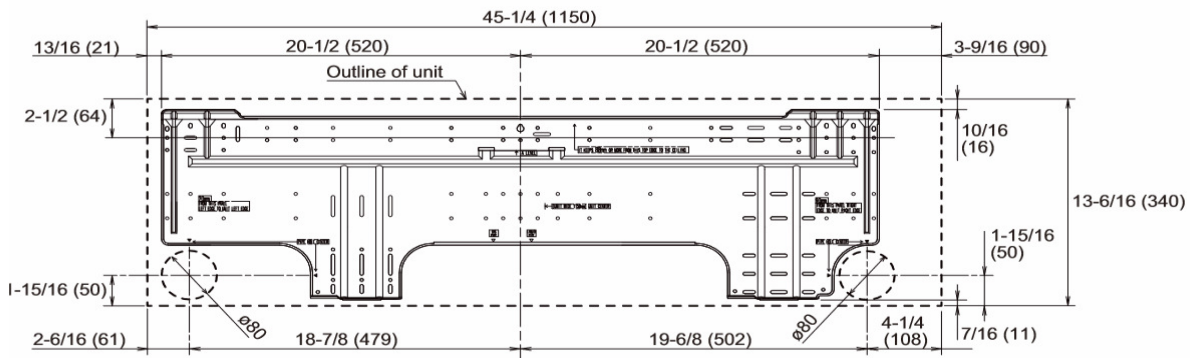

 Indoor Unit ETL#: 3170288
 Outdoor Unit ETL#: 91987

Inverter Driven Heat Pump

30,000 BTU Single Zone XLTH Wall Mounted System

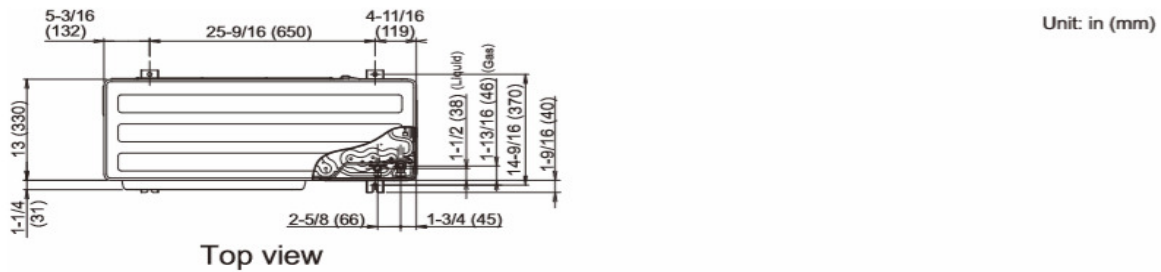
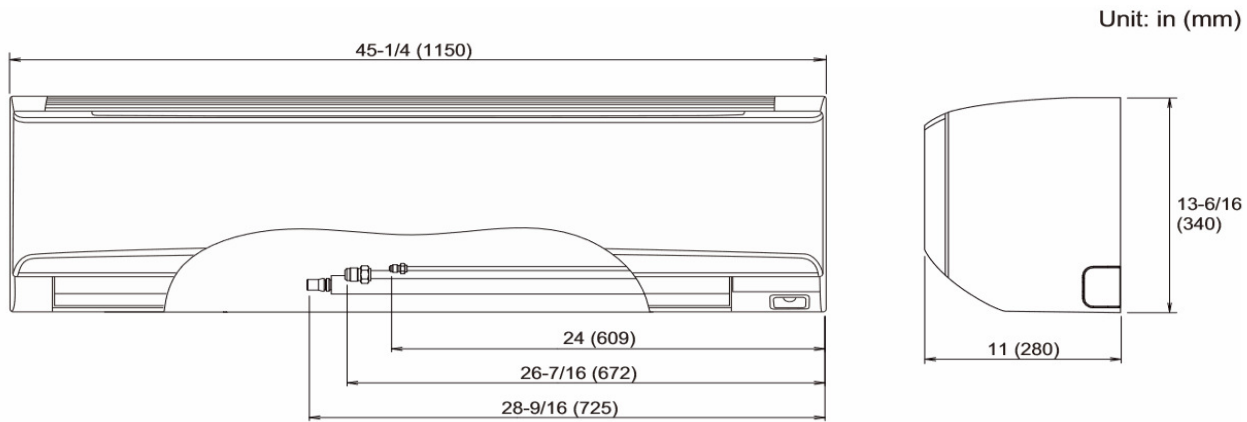
FAN DATA				ELECTRICAL SPECIFICATIONS					
Indoor Unit Airflow Rate	Cooling	High	CFM (m3/h)	812 (1380)	Voltage/Frequency/Phase			208/230V~60HZ	
		Medium		665 (1130)	Voltage Range			187-253V~60HZ	
		Low		536 (910)	Current	Cooling	Rated	A	10.6
		Quiet		418 (710)		Heating	Rated		12
	Heating	High		812 (1380)	Maximum Operating Current		Cooling		20.5
		Medium		665 (1130)			Heating		20.5
		Low		536 (910)	Starting Current			18.7	
		Quiet		418 (710)	MCA			25.6	
Outdoor Unit Airflow Rate	Cooling		4,032 (6,850)	Maximum Circuit Breaker			30		
	Heating		4,032 (6,850)	Input Power	Cooling	Rated	kW	2.4	
					Min.-Max.	0.58-3.83			
				Heating	Rated	2.74			
				Min.-Max.	0.50-4.28				
				Power Factor	Cooling	%	99.6		
					Heating		99.2		
SOUND PRESSURE				OTHER					
Indoor Unit	Cooling	High	dB (A)	50	Moisture Removal		pints/h (L/h)	4.6(9.7)	
		Medium		45	Energy Star			YES	
		Low		38	Drain hose		Material	PVC	
		Quiet		32	Size	in (mm)	Ø 9/16 (Ø 13.8) (I.D.) Ø 5/8 to Ø 11/16 (Ø 15.8 to Ø 16.7) (O.D.)		
	High	49		Operation Range			Cooling	°F (°C)	64 to 90 (18 to 32)
	Medium	44			%RH	80 or less			
	Low	38		Heating	°F (°C)	88 (30) or less			
	Quiet	32							
Outdoor Unit	Cooling			53					
	Heating			54					
REFRIGERANT									
Type				R410A					
Charge	lb oz			6 lb. 12 oz.					
	kg			3,050					
Oil Type				POE (VG74)					

Wall Bracket Data:

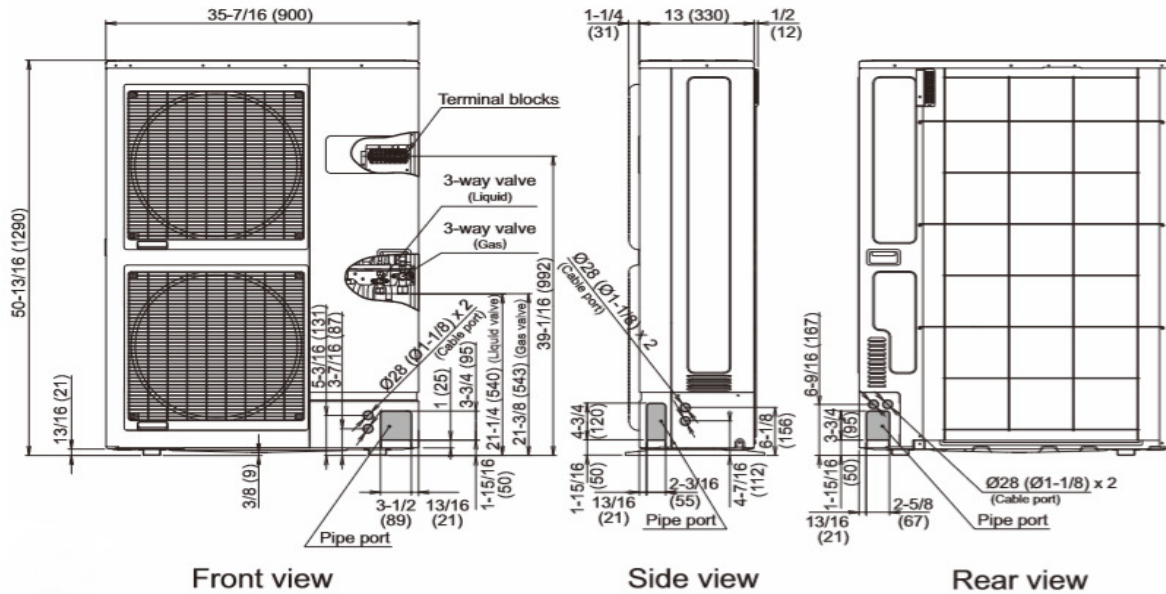


The Fujitsu logo is a worldwide trademark of Fujitsu General Limited. The Halcyon logo and name is a worldwide trademark of Fujitsu General Limited and is a registered trademark in Japan, the USA and other countries or areas. Copyright 2018 Fujitsu General America, Inc. Fujitsu's products are subject to continuous improvements. Fujitsu reserves the right to modify product design, specifications and information in this brochure without notice and without incurring any obligations.

Note: Specifications are based on the following conditions:
 Cooling: Indoor temperature of 80°F (26.7°C) DB/67°F (19.4°C) WB, and outdoor temperature of 95°F (35°C) DB/75°F (23.9°C) WB. Heating: Indoor temperature of 70°F (21.1°C) DB/60°F (15.6°C) WB, and outdoor temperature of 47°F (8.3°C) DB/43°F (6.1°C) WB. Pipe length: 25ft. (7.5m), Height difference: 0ft. (0m) (Outdoor unit - indoor unit).



Top view



Front view

Side view

Rear view

The Fujitsu logo is a worldwide trademark of Fujitsu General Limited. The Halcyon logo and name is a worldwide trademark of Fujitsu General Limited and is a registered trademark in Japan, the USA and other countries or areas. Copyright 2018 Fujitsu General America, Inc. Fujitsu's products are subject to continuous improvements. Fujitsu reserves the right to modify product design, specifications and information in this brochure without notice and without incurring any obligations.

Note: Specifications are based on the following conditions:
 Cooling: Indoor temperature of 80°F (26.7°C) DB/67°F (19.4°C) WB, and outdoor temperature of 95°F (35°C) DB/75°F (23.9°C) WB. Heating: Indoor temperature of 70°F (21.1°C) DB/60°F (15.6°C) WB, and outdoor temperature of 47°F (8.3°C) DB/43°F (6.1°C) WB. Pipe length: 25ft. (7.5m), Height difference: 0ft. (0m) (Outdoor unit - indoor unit).