



A CSW Industrials Company

# All-Access® AA2-FS

Condensate Shut-Off Float Switch  
Product Code **83412**

## Project Information:

Job Name:

Location:

Engineer:

Submitted to:

For:  Reference  Approval  Construction

Submitted by:

Reference:

## Submittal Information:

Approval:

Date:

Construction:

Unit #:

Drawing #:

## (Sec. I) Ordering Information:

Product Code 83412  
Model AA2-FS  
Carton Qty 48  
Carton Weight 15 lbs

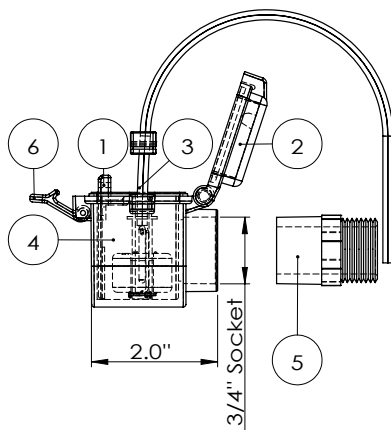
## (Sec. II) Product Specifications:

Potted, electrically water sealed reed/magnet switch design  
Tested to UL508  
PVC Plastic Components  
Use in Class 2 (T-STAT) circuit only, 24 VAC Max  
1.25 Amp switch capacity  
US Patent No. 9,217,577

## (Fig. I) Product Image:



## (Fig. II) Component List:



1. Moveable Holder
2. Top Lid
3. Electrically Potted Switch, with 6 ft 18 AWG Lead Wires
4. Plastic Body
5. 3/4" NPT x 3/4" Slip Adapter
6. T-Switch Hasp

**RectorSeal® 2601 Spenwick Drive - Houston, TX 77055 800-231-3345 rectorseal.com**