

# 9RL2 Submittal

**AOU9RL2, ASU9RL2**

**Inverter Driven Heat Pump**



Job Name: \_\_\_\_\_  
 Location: \_\_\_\_\_  
 Engineer: \_\_\_\_\_  
 Submitted to: \_\_\_\_\_  
 Submitted by: \_\_\_\_\_  
 Reference: \_\_\_\_\_

Approval: \_\_\_\_\_  
 Date: \_\_\_\_\_  
 Construction: \_\_\_\_\_  
 Unit #: \_\_\_\_\_  
 Drawing #: \_\_\_\_\_

**Outdoor Unit Power** 115/VAC-1Ph-60Hz  
 Available Voltage Range 103.5-126.5  
 Fuse Size, Max. 15A  
 MCA 13.5A

**Compressor** Inverter Driven Variable Speed DC Rotary  
 No. used 1  
 Output 700W  
 Lubrican Oil POE (RB68)

**Fan type** Propeller  
 Motor Output 23W  
 Airflow Rate Cooling/Heating (High) 1013 / 889CFM

**Refrigerant** R410A  
 Outdoor Unit 1lb 7oz  
 Control Electronic Expansion Valve  
 O.D. Discharge (in) 1/4"(Flare)  
 O.D Suction (in) 3/8"(Flare)

**Dimensions** H x W x D  
 Uncrated (in) 21-1/4 x 26 x 11-11/32  
 (mm) (540 x 660 x 290)  
 Crated (in) 24-1/16 x 31-3/8 x 15-25/32  
 (mm) (611 x 797 x 401)

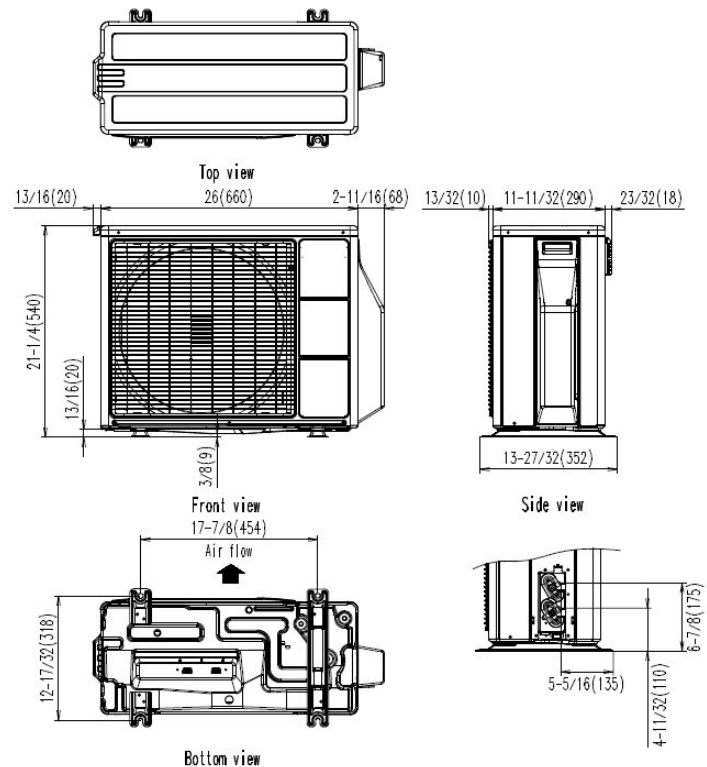
**Weight** Outdoor  
 Net 64lbs (29kg)  
 Gross Shipping 69lbs (31kg)

**Cooling**  
 Rated Capacity 9,000BTU/h  
 Min-Max Capacity 1,700~10,700BTU/h  
 Rated Power Input 0.83kw  
 Max. Power Input 1.44kw  
 SEER 16  
 Outdoor Sound Rating 47dB

**Heating**  
 Rated Capacity 10,000BTU/h  
 Min-Max Capacity 1,700~12,000BTU/h  
 Rated Power Input 0.77kw  
 Max. Power Input 1.49kw  
 HSPF 9  
 Outdoor Sound Rating 50dB

**Piping Lengths**  
 Max. Piping Length (Total) 66ft  
 Max. Pipe Height Difference 49ft  
 Connection method (Flared)

**Operating Range**  
 Cooling 15°F~115°F DB  
 Heating 15°F~75°F DB



Fujitsu General America, Inc.  
 Fairfield, NJ 07004  
 Toll Free: 1-888-888-3424  
 Fax: (973) 836-0447  
 www.fujitsugeneral.com

Fujitsu products are subject to continuous improvements. Fujitsu reserves the right to modify product design, specifications and information in this data sheet without notice and without incurring any obligations.

Note: Specifications are based on the following conditions.

Power source of specifications : 230V

Cooling: Indoor temperature of 80°F(26.67°C)DB / 67°F(19.44°C)WB, and outdoor temperature of 95°F(35°C)DB/75°F(23.89°C)WB.

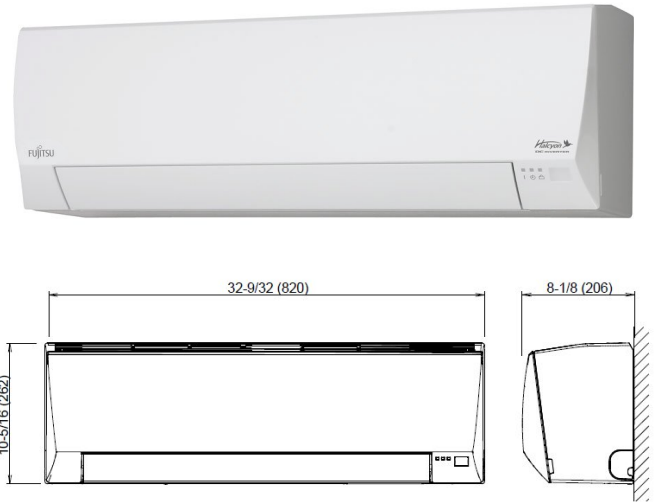
Heating: Indoor temperature of 70°F(21.11°C)DB / 60°F(15.56°C)WB, and outdoor temperature of 47°F(8.33°C)DB/43°F(6.11°C)WB.

Pipe length : 24ft. 7in.(7.5m), Height difference : 0 ft.(0m) [Outdoor unit - Indoor unit]





<b>Indoor Unit Power</b>	115/VAC-1Ph-60Hz	
<b>Available Voltage Range</b>	103.5-126.5VAC	
<b>Fan type</b>	Cross flow	
<b>Motor Output</b>	28W	
<b>MCA</b>	1.0A	
<b>Sound Pressure Level</b>		
Cooling	Lo-Hi	23-43dB
Heating	Lo-Hi	23-43dB
<b>Airflow rate</b>		
Cooling	Lo-Hi	191-424CFM
Heating	Lo-Hi	191-436CFM
<b>Dimensions</b>	H x W x D	
Uncrated	(in)	10-5/16 x 32-9/32 x 8-1/8
	(mm)	(262 x 820 x 206)
Crated	(in)	10-11/32 x 34-1/4 x 12-29/32
	(mm)	(263 x 870 x 328)
<b>Weight</b>	Indoor	
Net	16lbs (7kg)	
Gross Shipping	20lbs (9kg)	



Fujitsu General America, Inc.  
 Fairfield, NJ 07004  
 Toll Free: 1-888-888-3424  
 Fax: (973) 836-0447  
 www.fujitsugeneral.com

Fujitsu products are subject to continuous improvements. Fujitsu reserves the right to modify product design, specifications and information in this data sheet without notice and without incurring any obligations.

