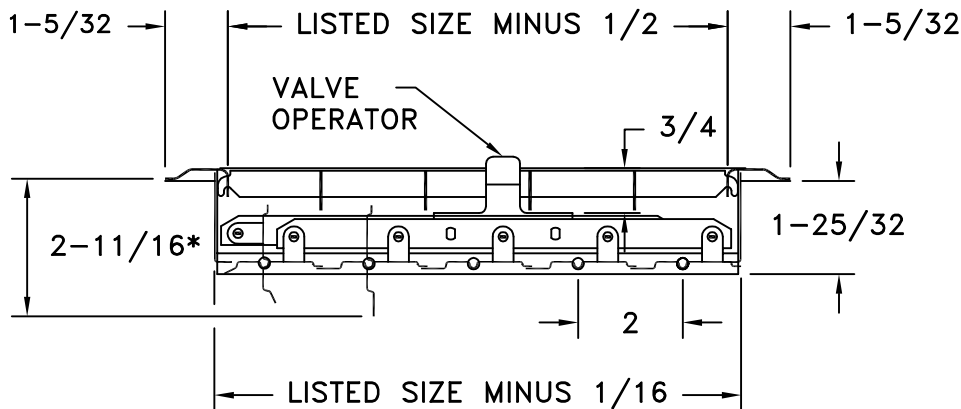
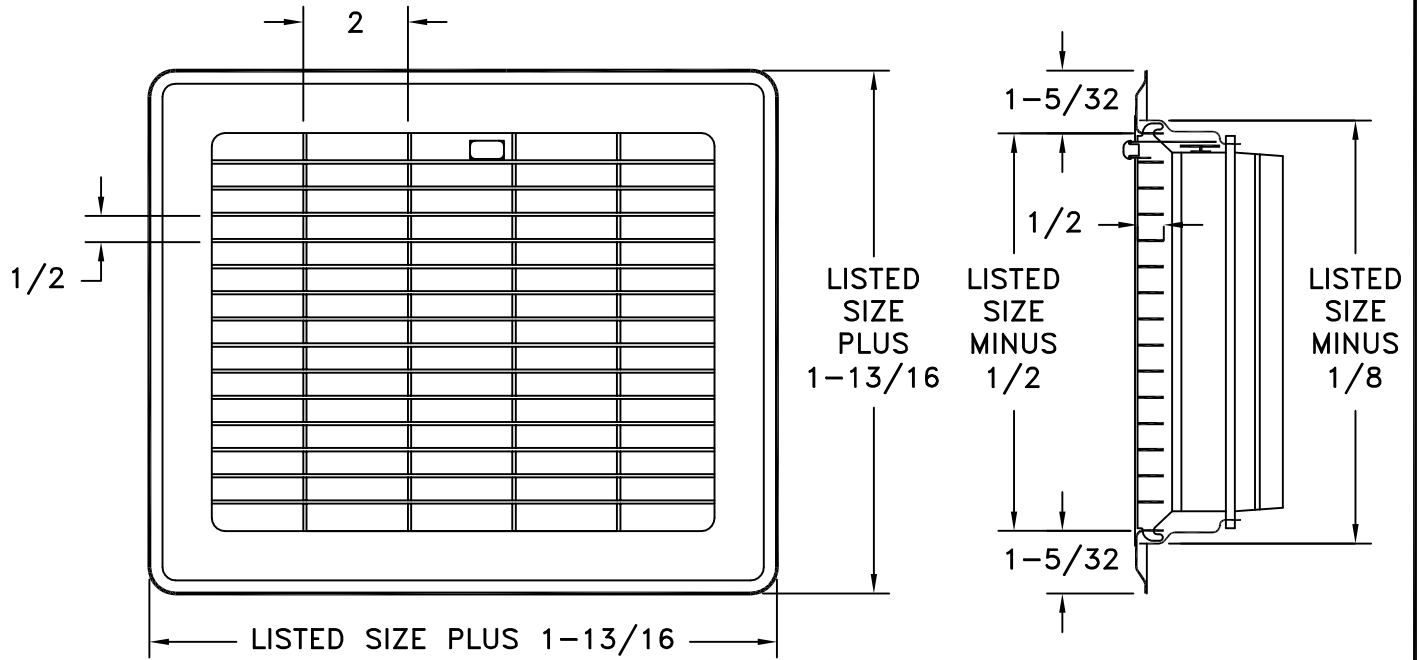


- ALL STEEL CONSTRUCTION
- TOE OPERATED VALVE CONTROL
- MINIMUM SIZE = 4 W X 6 L
- MAXIMUM SIZE = 14 W X 20 L, 12 W X 24 L
- EXTREMELY RIGID, SMOOTH SURFACE FACE
- FINISH: GOLDEN SAND (GS) ENAMEL



\*3-9/16" FOR SIZES OVER 14x20

JOB NAME: _____	SUBMITTED BY: _____	DATE: 06/20/2013	SD-2005
LOCATION: _____		<b>210</b>	
ARCHITECT: _____		Steel Heavy Duty	
ENGINEER: _____		Floor Register	
CONTRACTOR: _____			