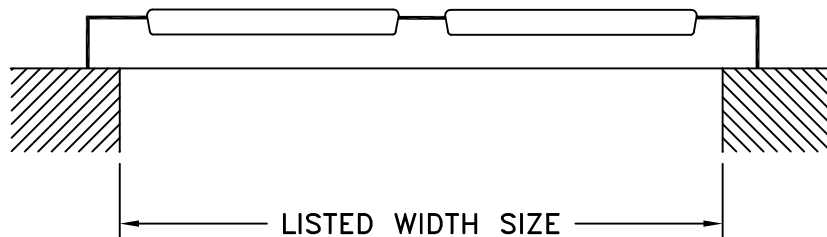
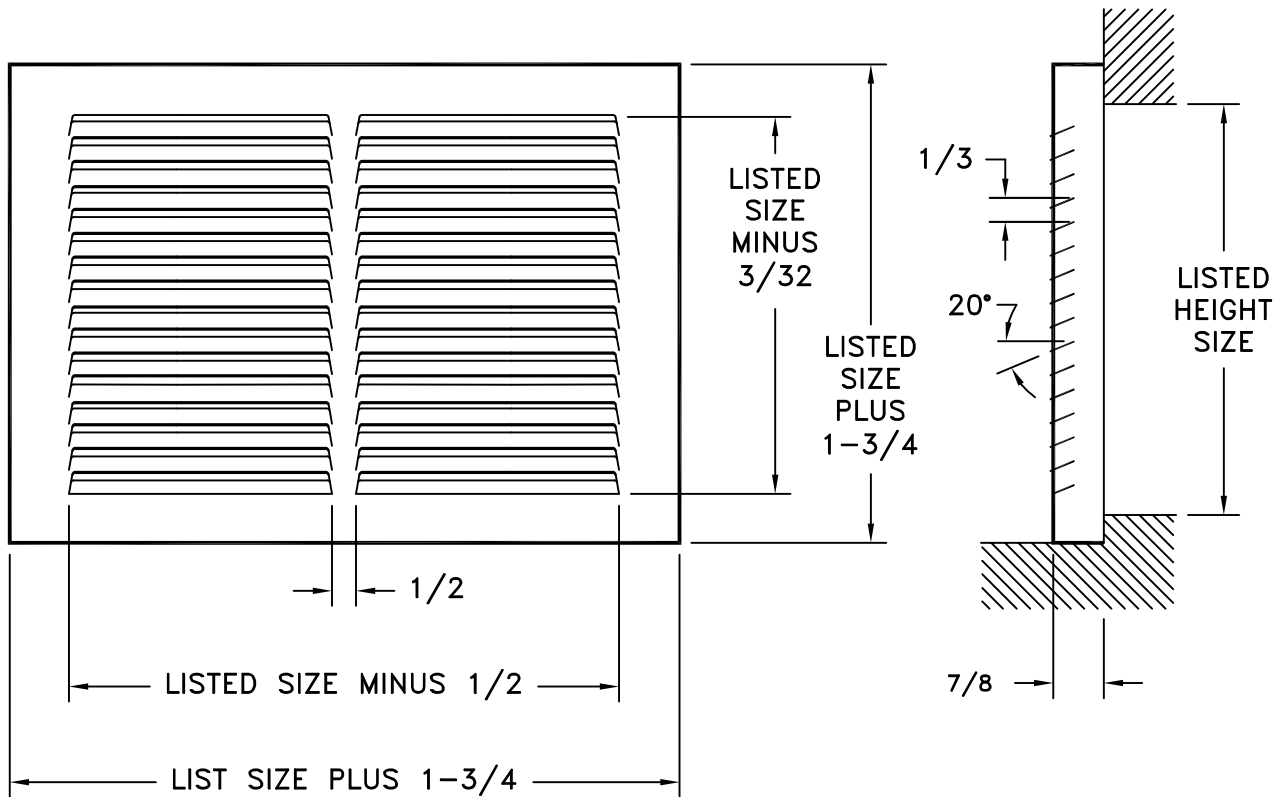


- ALL STEEL CONSTRUCTION
- 1/3 INCH SPACED FINS SET AT 20 DEGREES
- 7/8 INCH MARGIN TURNBACK FOR BASEBOARD APPLICATIONS
- MINIMUM SIZE = 8 W X 6 H
- MAXIMUM SIZE = 36 W X 12 H
- FINISH: WHITE (W) OR GOLDEN SAND (GS) ENAMEL



JOB NAME: _____	SUBMITTED BY: _____	DATE: 1/11/99	SD-2027
LOCATION: _____		657	
ARCHITECT: _____		Steel	
ENGINEER: _____		Baseboard Return Grille	
CONTRACTOR: _____			