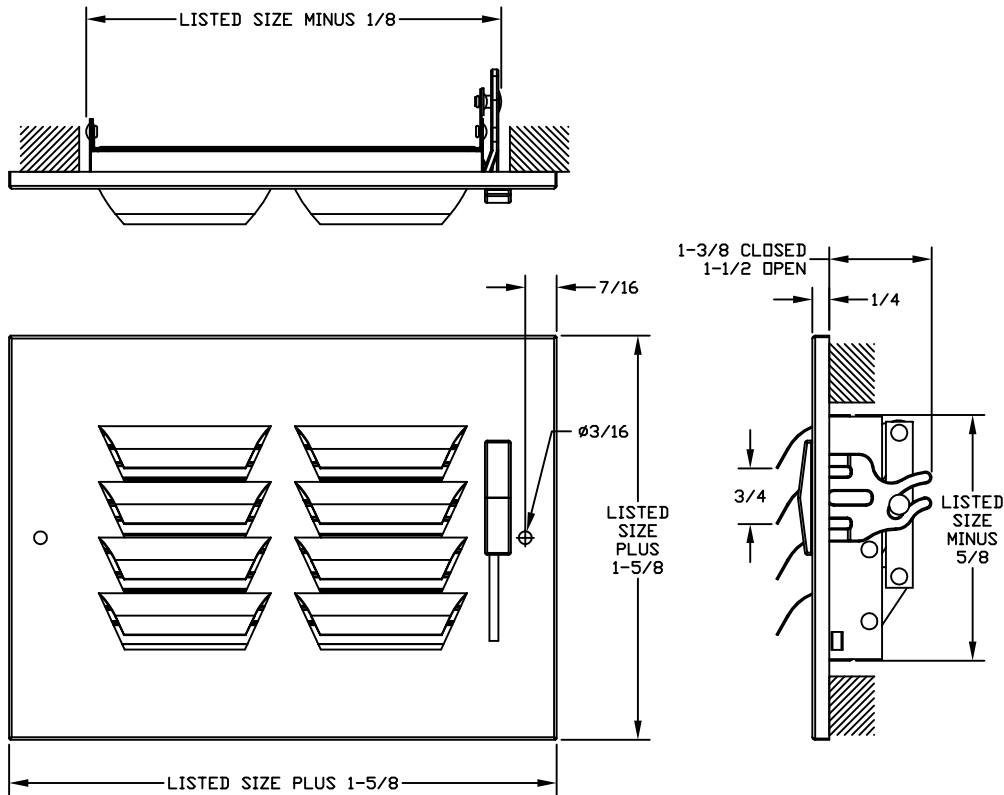
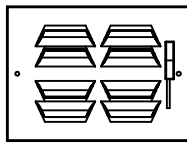


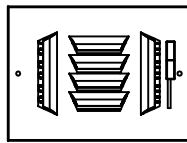
- FACE MATERIAL: .023-.033 CRS
- INTEGRAL MULTI-SHUTTER DAMPER
- SIZES VARY BY FACE STYLE
- FINISH: WHITE (W) ENAMEL



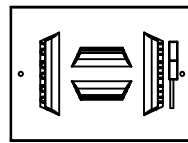
1-WAY, 301



2-WAY, 302



3-WAY, 303



4-WAY, 304

DAMPER AND DIMENSIONS ARE TYPICAL FOR ALL DEFLECTIONS

JOB NAME: _____
 LOCATION: _____
 ARCHITECT: _____
 ENGINEER: _____
 CONTRACTOR: _____

SUBMITTED BY: _____

DATE: 08/06/2020 SD-2408

300
 Stamped Steel
 Curved Blade Register