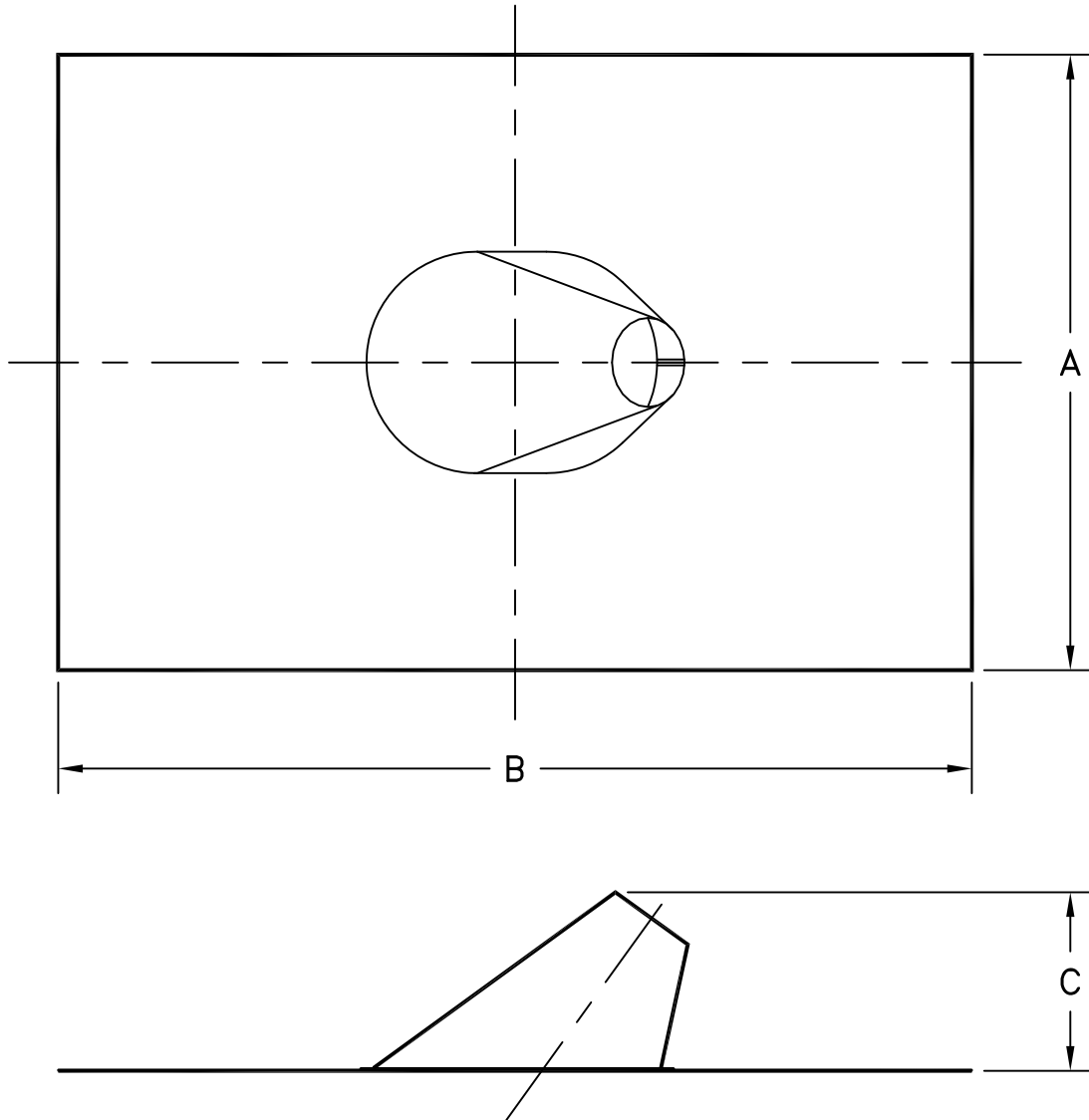


- MATERIAL:
PLATE AND CONE - .018 THICK, G-90 GALVANIZED STEEL
- FOR ROOF PITCHES FROM 6/12 TO 12/12



CAT. NO.	A	B	C
3RFA	17-1/8	18-1/2	7-1/2
4RFA	17-1/8	18-1/2	8
5RFA	20	24-1/8	8-1/2
6RFA	20	24-1/8	9
7RFA	21-5/8	25-3/4	9-1/2
8RFA	21-5/8	25-3/4	10

JOB NAME: _____	SUBMITTED BY: _____	DATE: 12/09/11	SD-3117
LOCATION: _____		Type B Gas Vent Adjustable Flashing RFA 3" - 8" Diameter	
ARCHITECT: _____			
ENGINEER: _____			
CONTRACTOR: _____			