

**Inverter Driven Heat Pump**

**9,000 BTU Single Zone Wall Mounted System**

Job Name \_\_\_\_\_  
 Location \_\_\_\_\_  
 Engineer \_\_\_\_\_  
 Submitted To \_\_\_\_\_  
 Submitted By \_\_\_\_\_  
 Reference \_\_\_\_\_

Date \_\_\_\_\_  
 Approval \_\_\_\_\_  
 Construction \_\_\_\_\_  
 Unit No \_\_\_\_\_  
 Drawing No \_\_\_\_\_

**PRODUCT FEATURES**

- Auto Changeover
- Weekly & 24 hr. Timer
- Auto Louver
- Minimum Heat Mode
- Auto Restart
- Economy Mode
- Energy Saving Program (ESP)
- Wireless Remote control
- Outdoor Unit Low Noise Schedule



**MODEL NUMBERS**

Indoor Unit	ASUH09LPAS
Outdoor Unit	AOUH09LPAS1
System	09LPAS1

**EFFICIENCIES**

SEER	20	
EER	12.5	
HSPF	11	
COP	kW/kW	3.96
	BTU/hW	13.50

**OUTDOOR TEMPERATURE OPERATION RANGE**

Cooling	°F(°C)	14 to 115 (-10 to 46)
Heating		5 to 75 (-15 to 24)

**CAPACITIES**

Cooling	Rated	BTU/hW	9,000
	Min.-Max.		3,300 - 10,800
Heating	Rated		10,000
	Min.-Max.		2,600 - 12,500

**LINESET REQUIREMENTS**

Connection Method	Flare	
Liquid	in (mm)	Ø 1/4 (Ø 6.35)
Gas		Ø 3/8 (Ø 9.52)
Pre-Charge Length	ft (m)	49 (15)
Minimum Length		16 (5)
Maximum Length		66 (20)
Max. Height Diff.		49 (15)

**INDOOR DIMENSIONS & WEIGHT**

Net (H x W x D)	in	10-5/8 x 32-13/16 x 8-3/4
	mm	270 x 834 x 222
Gross (H x W x D)	in	10-7/8 x 36 x 13-1/16
	mm	277 x 914 x 332
Net Weight	lb (kg)	21 (9.5)
Gross Weight		26 (12.0)

**OUTDOOR DIMENSIONS & WEIGHT**

Net (H x W x D)	in	21-5/16 x 26-1/8 x 11-7/16
	mm	541 x 663 x 290
Gross (H x W x D)	in	23-11/16 x 31-5/8 x 14-3/4
	mm	602 x 804 x 375
Net Weight	lb (kg)	51 (23)
Gross Weight		57 (26)



Indoor Unit ETL#: 91987  
 Outdoor Unit ETL#: 91987

Effective Date: 7/28/2021

**Warranty Information**



7 Year Compressor, 5 Year Parts out-of-the-box Warranty



10 Year Compressor, 10 Year Parts Warranty when registered within 60 days of installation in a residence



12 Year Compressor, 12 Year Parts Warranty when registered within 60 days of installation in a residence, and installed by a Fujitsu Elite contractor

**ACCESSORIES**

UTY-RNRUZ5	Wired Remote Controller (Touch Panel)
UTY-RSRY	Simple Remote Control
UTY-RHRY	Simple Remote Control (Hospitality)
UTY-XWZXZ5	Dry Contact Wire Kit
UTY-TTRX	3rd Party Thermostat Converter
UTY-TWRXZ2	Communication Kit
UTY-TFSXF1	WIFI Module



This system combination is Energy Star qualified



+App available in Apple® App Store and Google® Play Store.

Due to continuous product improvements, specifications are subject to change without notice. Please log in to the Fujitsu Portal for the most up-to-date documentation <https://portal.fujitsugeneral.com>

Inverter Driven Heat Pump

9,000 BTU Single Zone Wall Mounted System

FAN DATA

Indoor Unit Airflow Rate	Cooling	High	CFM (m3/h)	412 (700)
		Medium		330 (560)
		Low		253 (430)
		Quiet		159 (270)
	Heating	High		441 (750)
		Medium		359 (610)
		Low		277 (470)
		Quiet		194 (330)
Outdoor Unit Airflow Rate	Cooling		959 (1,630)	
	Heating		959 (1,630)	

SOUND PRESSURE

Indoor Unit	Cooling	High	dB (A)	40
		Medium		34
		Low		29
		Quiet		19
	Heating	High		42
		Medium		36
		Low		31
		Quiet		21
Outdoor Unit	Cooling		47	
	Heating		48	

REFRIGERANT

Type	R410A		
Charge	lb oz	1 lb 9 oz	
	kg	700	
Oil Type	VG74		

ELECTRICAL SPECIFICATIONS

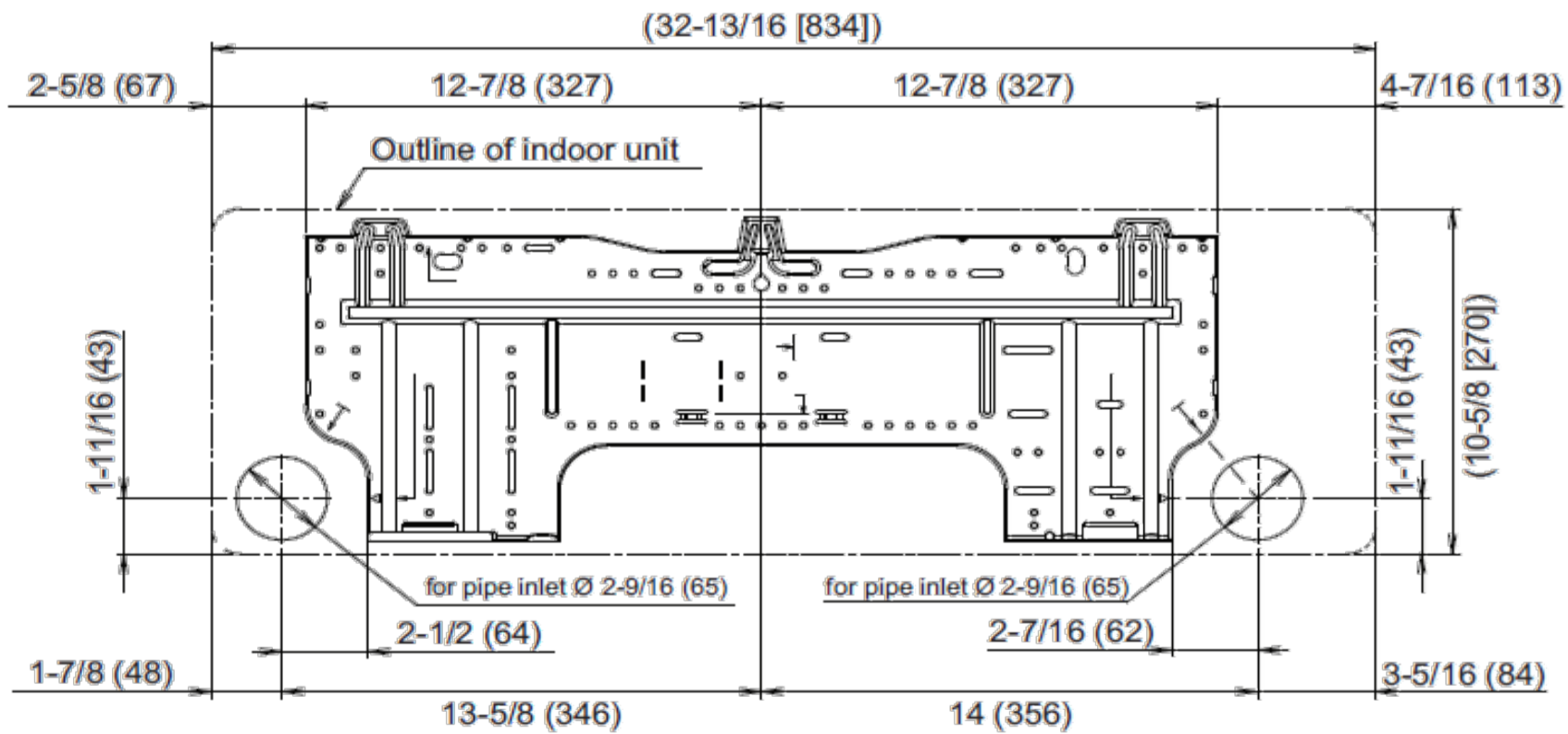
Voltage/Frequency/Phase		208/230 V / 1Ø / 60Hz	
Voltage Range		187-253V~60HZ	
Current	Cooling	Rated	3.5
	Heating	Rated	3.7
Maximum Operating Current	Cooling	A	6.4
	Heating		7.9
Starting Current			3.7
MCA			9.7
Maximum Circuit Breaker			15
Input Power	Cooling	Rated Min.-Max.	0.72
	Heating	Rated Min.-Max.	0.14 -1.18
Power Factor	Cooling	%	89.4
	Heating		86.9

OTHER

Moisture Removal	pints/h (L/h)	2.7 (1.3)	
Energy Star		Yes	
Drain hose	Material	PP+HDPE	
Operation Range	Cooling	°F (°C)	64 to 90 (18 to 32)
	Heating	%RH	80 or less
		°F (°C)	60 to 86 (16 to 30)

Wall Bracket Data:

Units: In. (mm)



The Fujitsu logo is a worldwide trademark of Fujitsu General Limited. The Halcyon logo and name is a worldwide trademark of Fujitsu General Limited and is a registered trademark in Japan, the USA and other countries or areas. Copyright 2018 Fujitsu General America, Inc. Fujitsu's products are subject to continuous improvements. Fujitsu reserves the right to modify product design, specifications and information in this brochure without notice and without incurring any obligations.

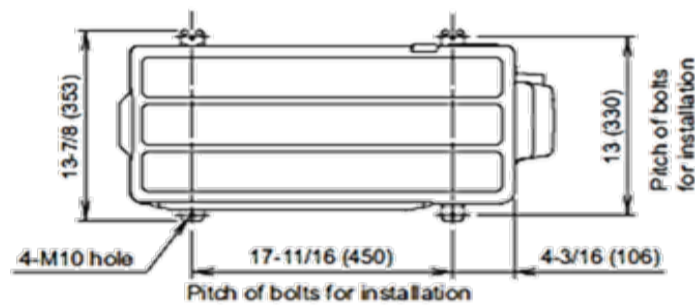
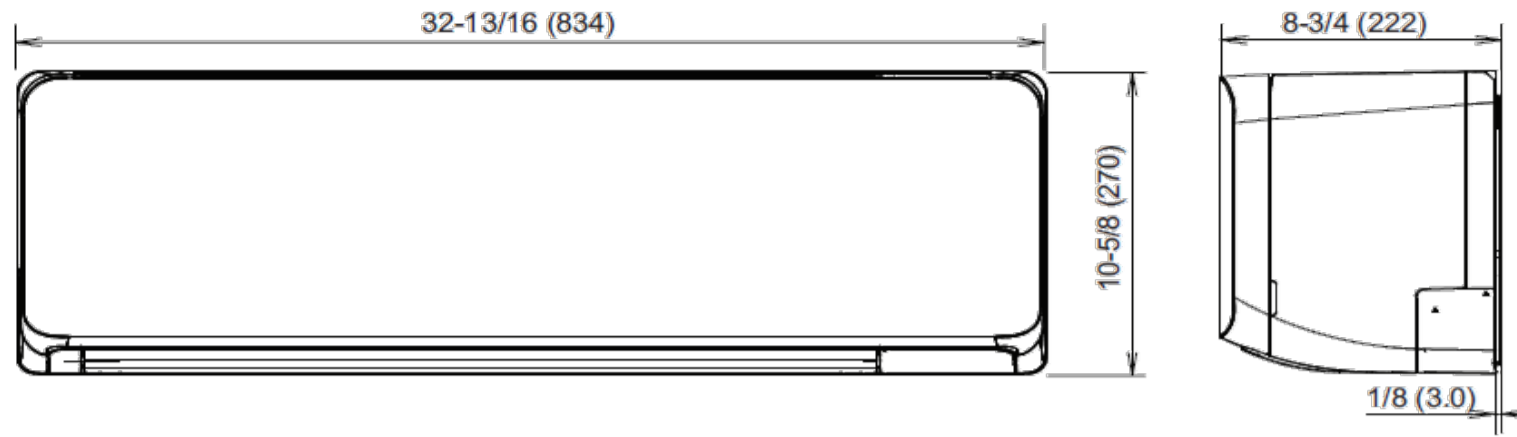
Note: Specifications are based on the following conditions:  
 Cooling: Indoor temperature of 80°F (26.7°C) DB/67°F (19.4°C) WB, and outdoor temperature of 95°F (35°C) DB/75°F (23.9°C) WB. Heating: Indoor temperature of 70°F (21.1°C) DB/60°F (15.6°C) WB, and outdoor temperature of 47°F (8.3°C) DB/43°F (6.1°C) WB. Pipe length: 25ft. (7.5m), Height difference: 0ft. (0m) (Outdoor unit - indoor unit).

Inverter Driven Heat Pump

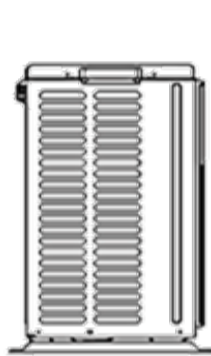
9,000 BTU Single Zone Wall Mounted System

DIMENSIONS

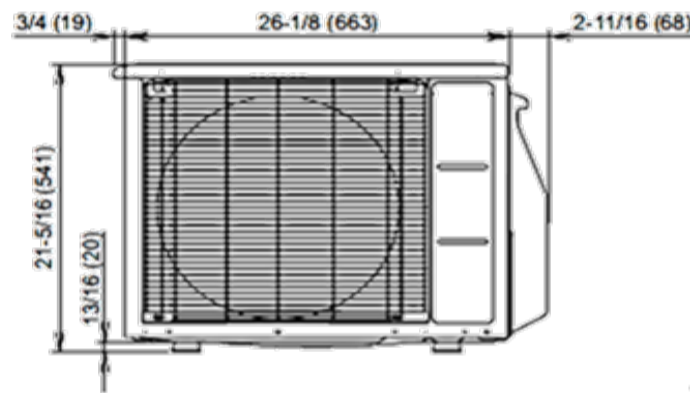
Units: In. (mm)



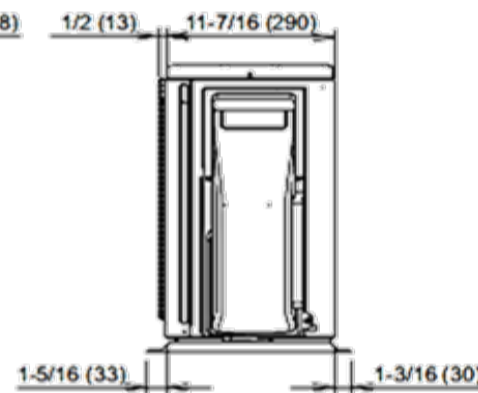
Top view



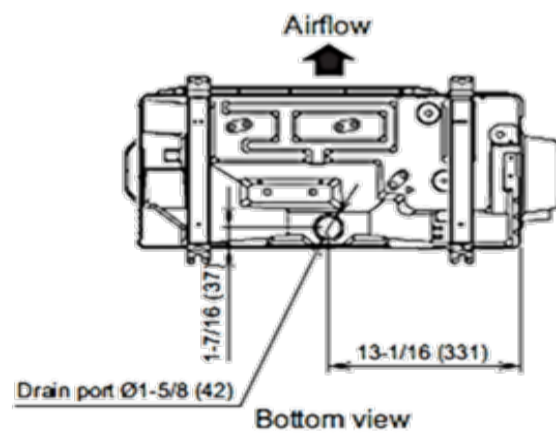
Side view



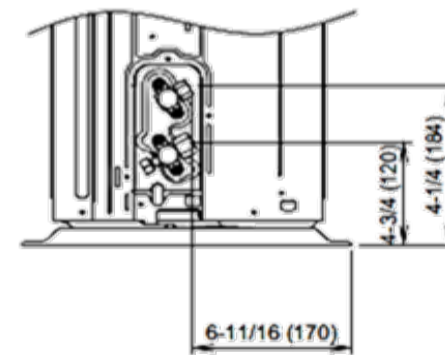
Front view



Side view



Bottom view



Side view (Valve part)

The Fujitsu logo is a worldwide trademark of Fujitsu General Limited. The Halcyon logo and name is a worldwide trademark of Fujitsu General Limited and is a registered trademark in Japan, the USA and other countries or areas. Copyright 2018 Fujitsu General America, Inc. Fujitsu's products are subject to continuous improvements. Fujitsu reserves the right to modify product design, specifications and information in this brochure without notice and without incurring any obligations.

Note: Specifications are based on the following conditions:  
 Cooling: Indoor temperature of 80°F (26.7°C) DB/67°F (19.4°C) WB, and outdoor temperature of 95°F (35°C) DB/75°F (23.9°C) WB. Heating: Indoor temperature of 70°F (21.1°C) DB/60°F (15.6°C) WB, and outdoor temperature of 47°F (8.3°C) DB/43°F (6.1°C) WB. Pipe length: 25ft. (7.5m), Height difference: 0ft. (0m) (Outdoor unit - indoor unit).